

Style

M8 Plug, shielded
4 pin
A-coding

Ratings

Voltage: 30V
Current: 3A

Operating Temperature Range

-40~105 °C

Materials

- ① Insulator: PA66, UL 94 HB, black
- ② Pin: C3604 brass, gold flashing
- ③ Nut: C3604 brass, nickel plated
- ④ Shell: C3604 brass, nickel plated
- ⑤ O-ring: Nitrile rubber, black

Electrical Requirements

Dielectric strength: 1 min @ 500 Vac
Insulation resistance: 100 MΩ @ 500 Vdc
Contact resistance: 10 mΩ or less

Mechanical Requirements

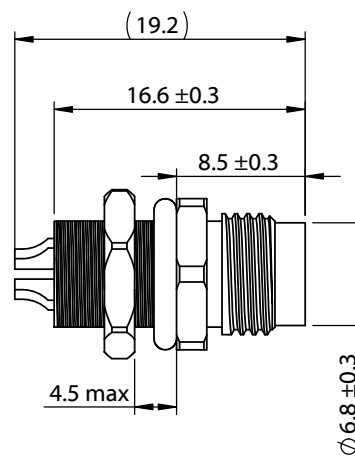
Life cycle: 1000 mating cycles minimum

Environmental Requirements

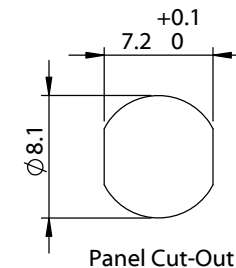
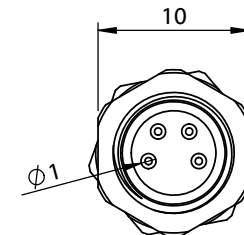
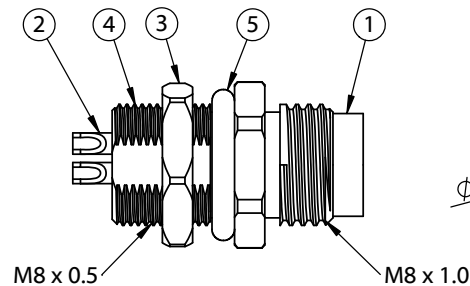
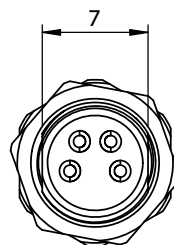
Salt spray test: 35 °C, relative humidity 90-95%, 5% NaCl mist for 24 hrs. Wash parts after test. Maintain mechanical requirements and a contact resistance of less than 10 mΩ.
Waterproof: IP67

Assembly Info

Wire gauge: 24 AWG max



Front View
Not to Scale



| | | | | | |
|-----------|---------|-----------------|--|--|---|
| Revision: | Date: | Description: | Prepared: | Notes: RoHS compliant | TENSILITY <small>tel 1.541.323.3228 800 877.670.7118 fax 1.541.323.4202 web tensility.com</small> |
| A | 8/26/21 | Initial Release | Verified: | | |
| | | | Dimensions are in millimeters. Tolerances: X: ± 0.3 mm X.X: ± 0.1 mm X.XX: ± 0.05 mm | Description: | Size: Part number: |
| | | | | Connector, 4 pin M8 A-code plug, 8x19.2 mm, gold plated, panel mount, solder cup, IP67 | A 54-00295 |
| | | | | Scale: 2:1 | Sheet 1 of 1 |