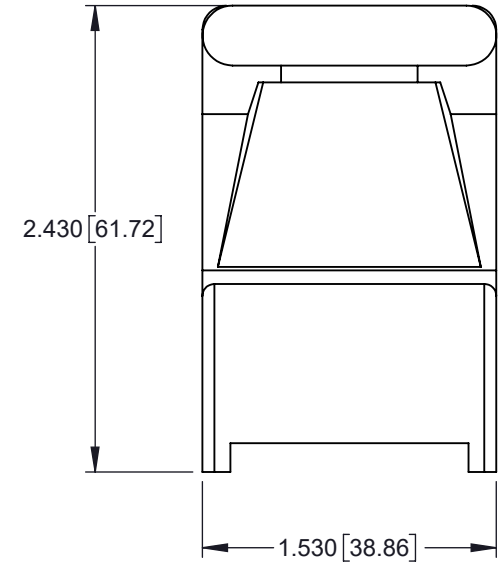
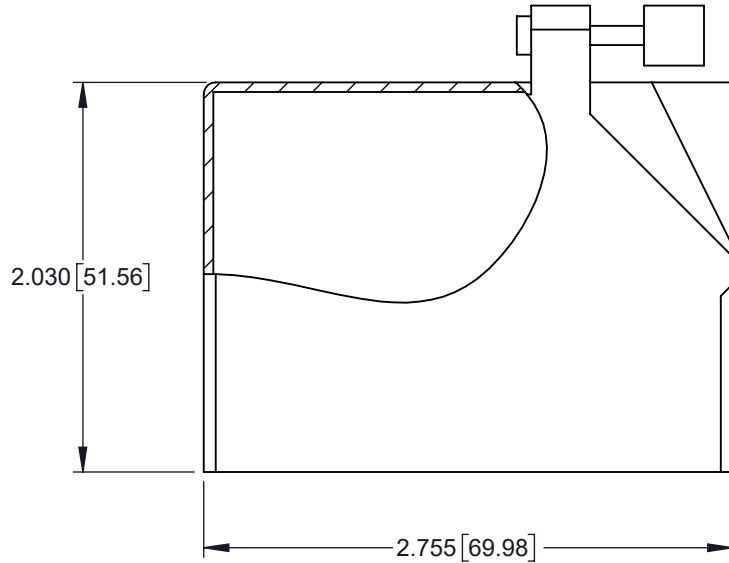
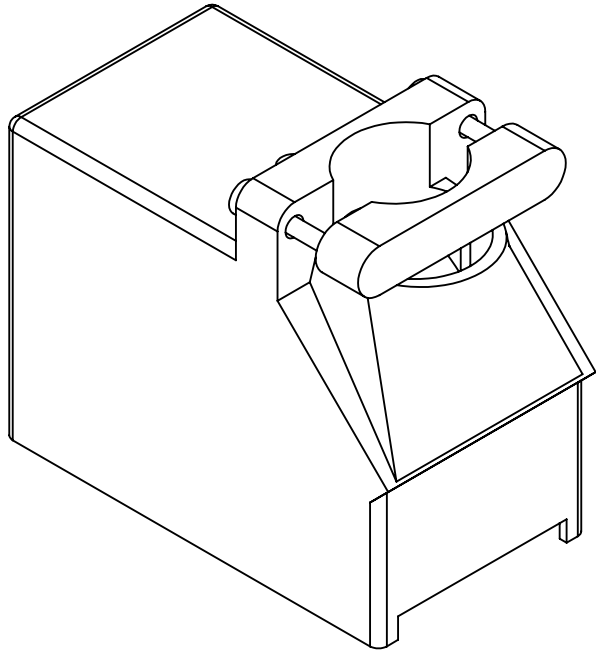


TOLERANCE UNLESS OTHERWISE SPECIFIED IN MM:  
GENERAL ±0.02 [0.5]

THIS IS A C.A.D. GENERATED DRAWING  
DO NOT MAKE MANUAL REVISIONS TO MASTER.



ISSUE NUMBER	
ORIGINAL	①
ADD TOL J.T	MAY10/17 ②



**ORDERING CODE:**

**516-230-212**

Series: \_\_\_\_\_

Cover Sub-Assembly: \_\_\_\_\_

Entry Style:  
2-Plastic Cover, Top Entry, Standard Clamp

Cover Size: SIZE 120 \_\_\_\_\_

MATERIAL:  
POLYCARBONATE, GREEN IN COLOR.



THIS SERIES FULLY CONFORMS TO THE  
EUROPEAN UNION DIRECTIVES 2011/65/EC  
RoHS COMPLIANCY.



YOUR CONNECTION TO QUALITY & SERVICE

EDAC INC  
TORONTO, ONTARIO  
CANADA

THESE DRAWINGS AND SPECIFICATIONS  
ARE THE PROPERTY OF EDAC INC. AND  
SHALL NOT BE REPRODUCED, OR COPIED  
OR USED AS THE BASIS FOR THE  
MANUFACTURE OR SALE OF APPARATUS  
WITHOUT WRITTEN PERMISSION.

**516 SERIES COVER ASSEMBLY  
PART NUMBER: 516-230-212**

ACAD REFERENCE NO. 516-230-212	
DRAWN: R.STA.MONICA	DATE: MAY.27/11
CHECKED:	DATE:
SCALE: NOT TO SCALE	SHEET 1 1
DRAWING NUMBER <b>516-230-212</b>	ISSUE 2