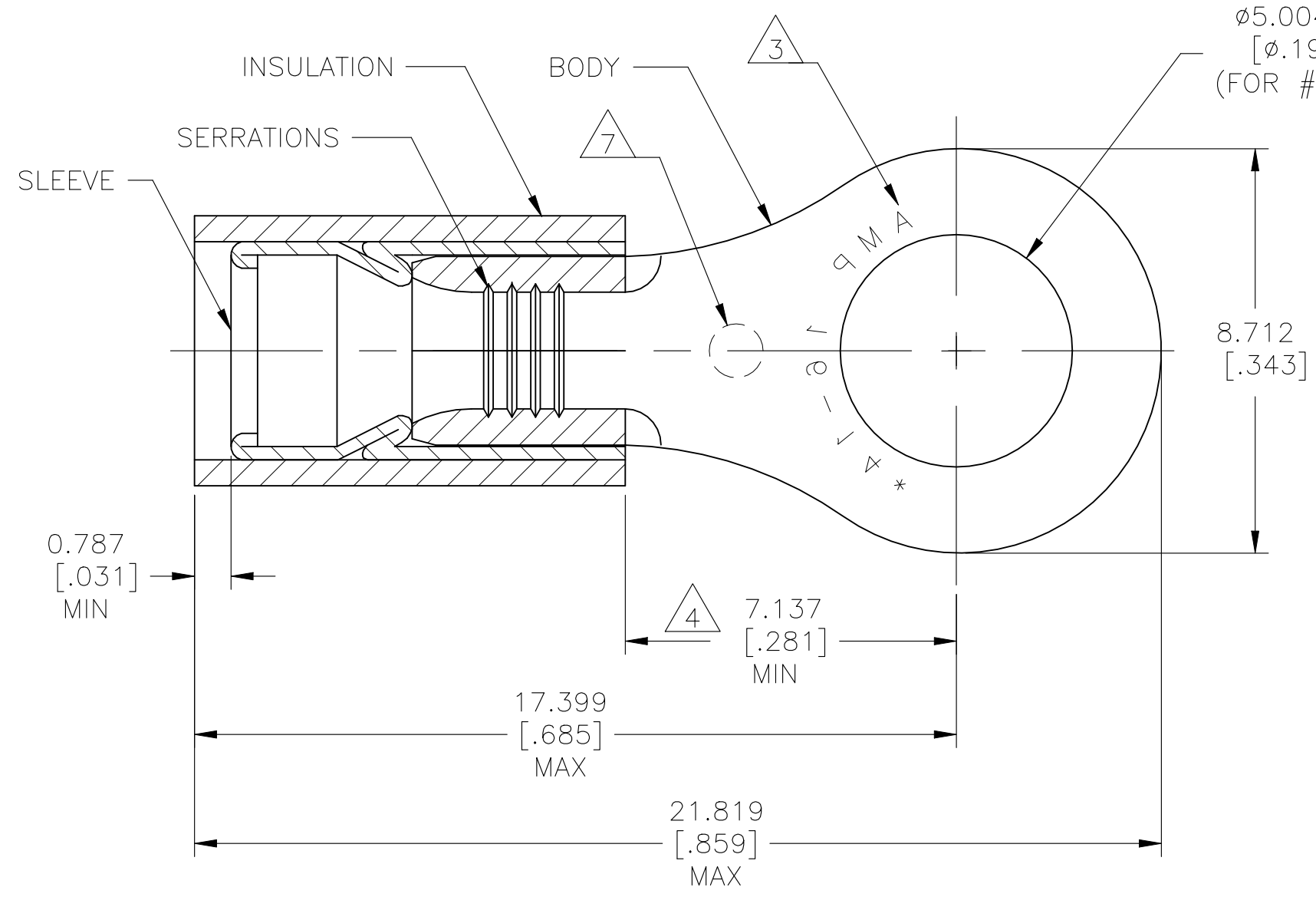


© - TE Connectivity. All Rights Reserved.

REVISIONS				
P	LTR	DESCRIPTION	DATE	APVD
G		REVISED PER ECR-22-152397	06OCT2022	BB DSC



AMP WIRE RANGE	UL Listed FILE E13288	SR LR7189 Certified
16-14 AWG SOLID OR STRANDED	16-14 AWG SOLID OR STRANDED	16-14 AWG SOLID OR STRANDED

- 1 WIRE INSULATION DIAMETER:
Ø2.667[.105] TO Ø3.810[.150]
- 2 BODY MATERIAL THK: 0.787±0.051[.031±.002]
- 3 STAMP AMP 16-14* APPROX AS SHOWN,
- 4 DIMENSION APPLIES FROM EDGE OF METAL WIRE BARREL TO CENTER OF STUD HOLE.
- 5 MATERIAL: BODY & SLEEVE: COPPER PER ASTM B152.
INSULATION : NYLON
- 6 FINISH: BODY & SLEEVE: TIN PLATE 0.00254[.000100] MIN
EXT THK PER ASTM B545
INSULATION: COLOR-BLUE.
- 7 "O" STAMP MARK OPTIONAL

100	LOOSE PC, BOX	8-320574-1
5000	TAPE & REEL	2-320574-2
1000	LOOSE PIECE	320574
QTY	PACKAGE TYPE	PART NO

AMP INCORPORATED CUSTOMER SERVICE SYSTEMS

FOR ADDITIONAL PRODUCT INFORMATION OR COPIES OF DRAWINGS AND TECHNICAL DOCUMENTS	PRODUCT INFORMATION CENTER 1-800-522-6752
FOR APPLICATION TOOLING INFORMATION	TOOLING ASSISTANCE CENTER 1-800-722-1111
FOR ORDER ENTRY	1-800-526-5142

RECOMMENDED OPERATING TEMPERATURE: 105°C[221°F]
VOLTAGE RATING: 300V MAX
WIRE CROSS SECTIONAL AREA RANGE: 1.04-2.62mm ² [2,050-5,180] CIR.MIL SOLID OR STRANDED

THIS DRAWING IS A CONTROLLED DOCUMENT.

DIMENSIONS: mm [INCHES]	TOLERANCES UNLESS OTHERWISE SPECIFIED:
	0 PLC ± -
	1 PLC ± -
	2 PLC ± -
	3 PLC ± 0.127[.005]
	4 PLC ± -
	ANGLES ± 5°
MATERIAL	FINISH
5	6

DWN KIRAN HOLAL 02APR12
CHK ROHDE DANIEL 02APR12
APVD ROHDE DANIEL 02APR12
PRODUCT SPEC UL 486A-B
APPLICATION SPEC 114-2157
WEIGHT -

STE TE Connectivity			
NAME TERMINAL, RING TONGUE, PIDG, WIRE SIZE: 16-14 AWG			
SIZE A3	CAGE CODE 00779	DRAWING NO C-320574	RESTRICTED TO -
CUSTOMER DRAWING		SCALE 8:1	SHEET 1 OF 1
		REV G	