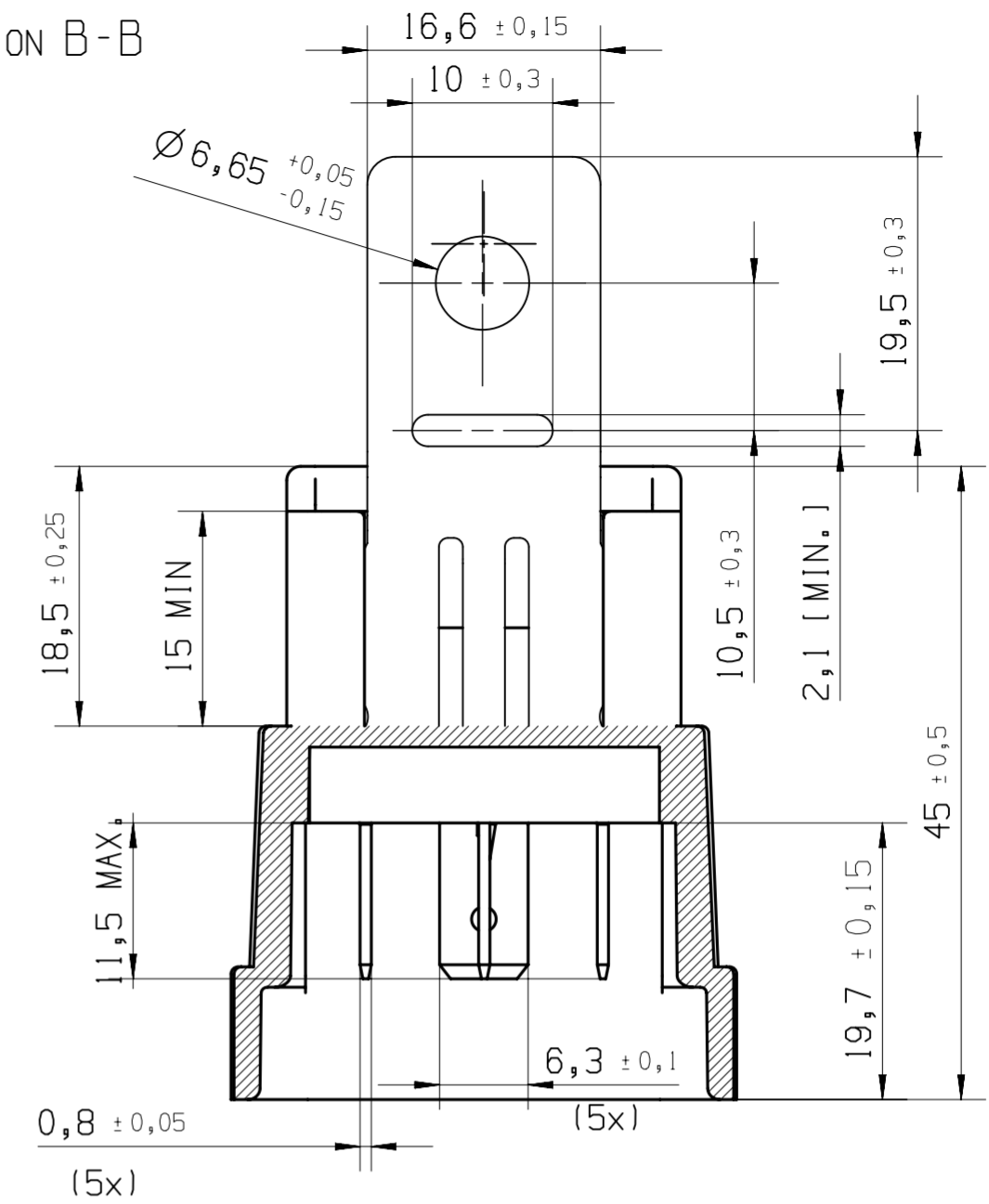
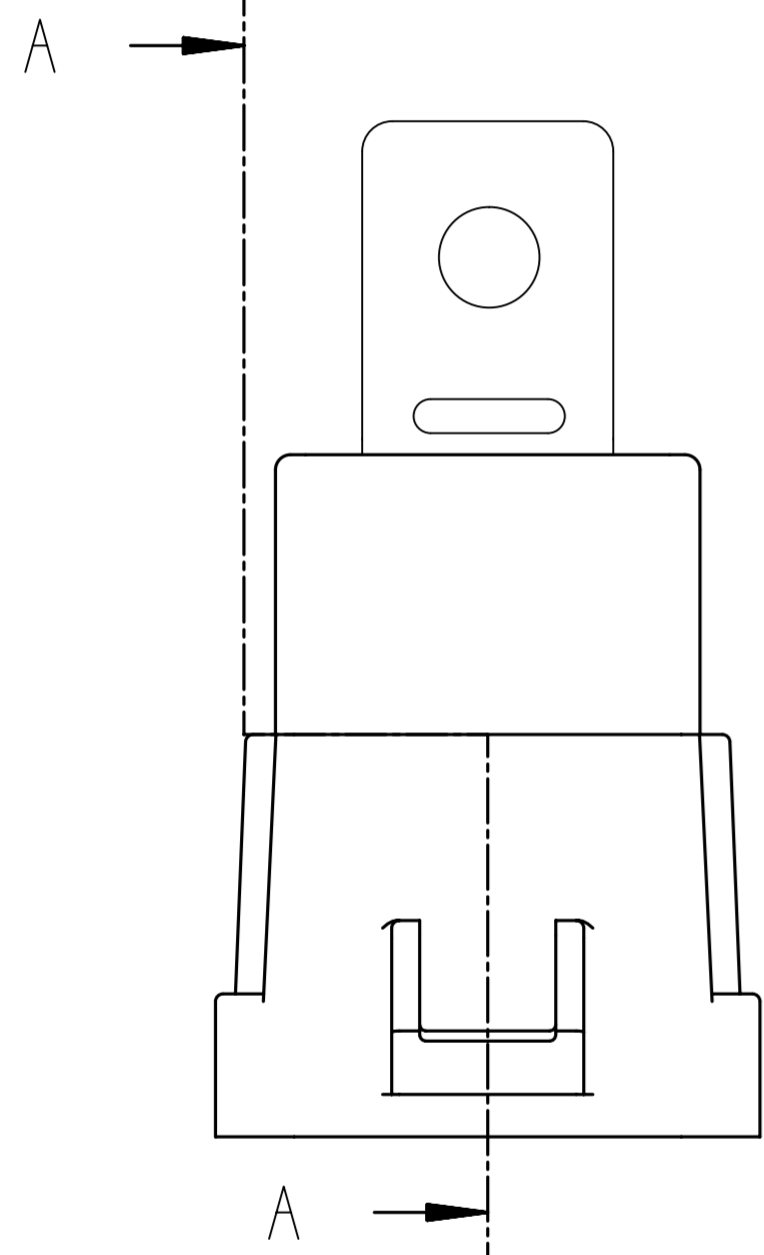
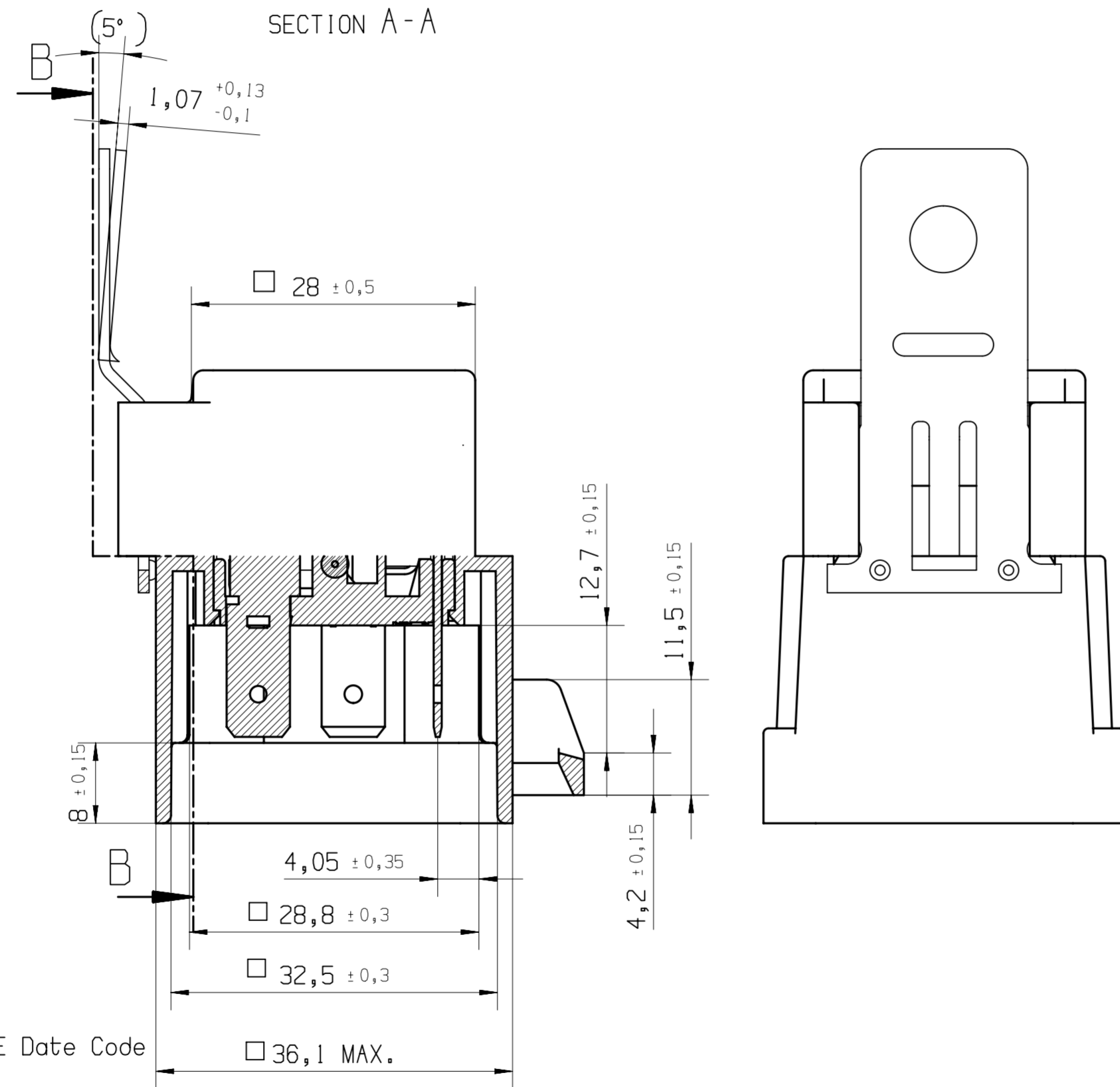


SECTION B-B



SECTION A-A

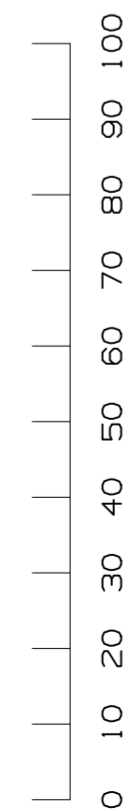


* TERMINAL LOCATIONS APPLY AT THE BASE OF THE TERMINAL

MARKING LASER MARJED OR WITH INK PRINTED OR INJECTION MOLDED TO INCLUDE:
MANUFACTURER'S NAME, MANUFACTURER'S PART NUMBER,
SCHEMATIC, COIL VOLTAGE, COUNTRY OF ORIGIN AND DATE CODE

Part Names
VF4-61F21-A01
V23134-B4052-X546
Manufacturer Logo
STE
Nominal Voltage
12VDC
TE Date Code
Country of Origin
Schematic Diagram

TE P/N	PART NAME
3-1904131-0	V23134-B4052-X546



PROPRIETARY THE REPRODUCTION, TRANSMISSION OR USE OF THIS DOCUMENT OR IT'S CONTENTS IS NOT PERMITTED WITHOUT EXPRESSED WRITTEN AUTHORITY. OFFENDERS WILL BE LIABLE FOR ALL DAMAGES. ALL RIGHTS, INCLUDING RIGHTS CREATED BY REGISTERED PATENT(S) GRANTED FOR A UTILITY MODEL OR DESIGN, ARE RESERVED.		CHANGES TO THIS DRAWING MUST BE DONE ONLY IN CAD	PAPER SIZE A2
APPLICABLE SPEC.: Replacement for VF4-61F21-A01		FINISH DIMENSIONS APPLY PLATING SCALE 2:1 WEIGHT	MATERIAL
TOLERANCE UNLESS SPECIFIED OTHERWISE DIMENSIONS IN MM	DATE NAME DWN. 11NOV2016 L.Sandoval APP. REV.	PART NAME POWER F RELAY NORMALLY OPEN	
LOCATION PE EVORA	DATE APP. B ECO-19-010387 06FEB2019 L.Sand A1 Initial Release 30NOV2016 L.Sand A --- 25NOV2016 HFont	DWG NO. C - V23134-B4052-X546	SHT. 1 OF 1
REV. CHANGE ORDER DATE APP.		CUSTOMER DRAWING	

