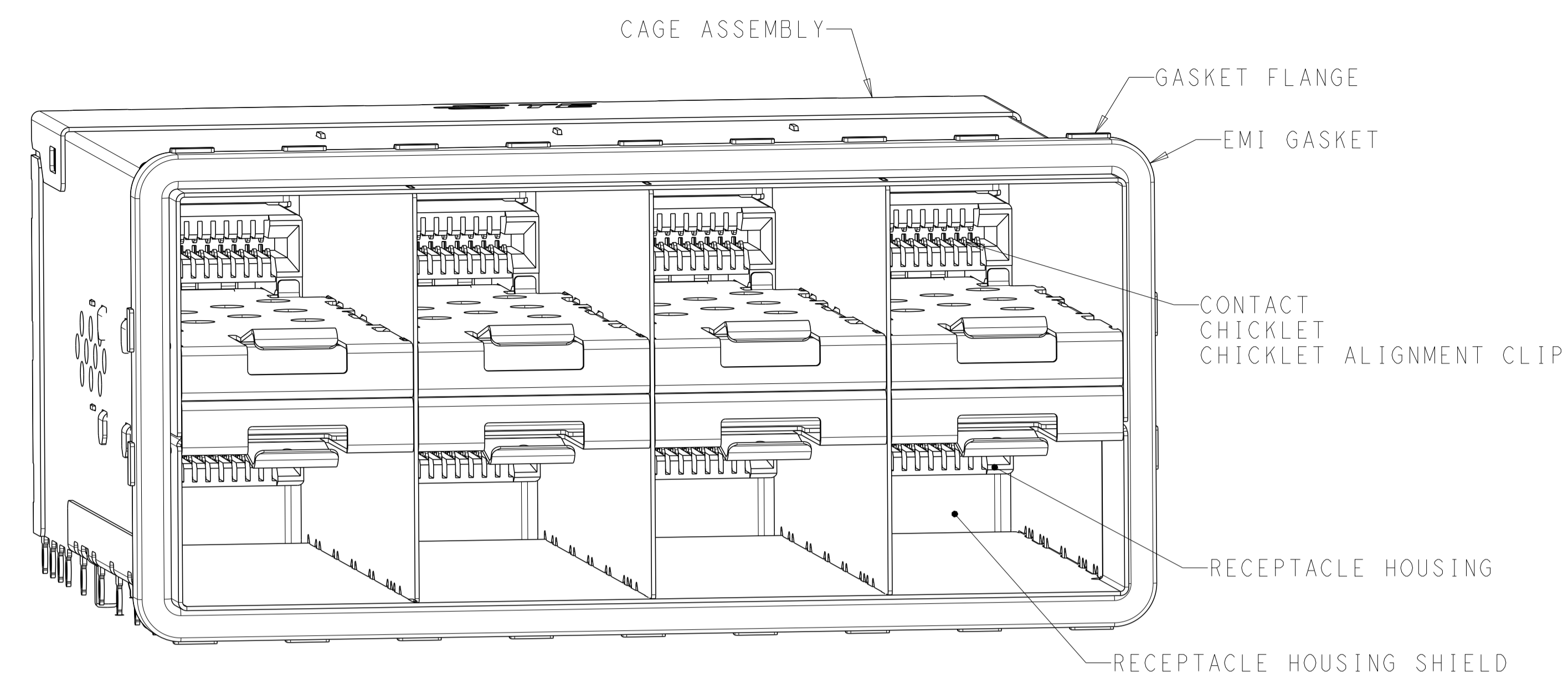
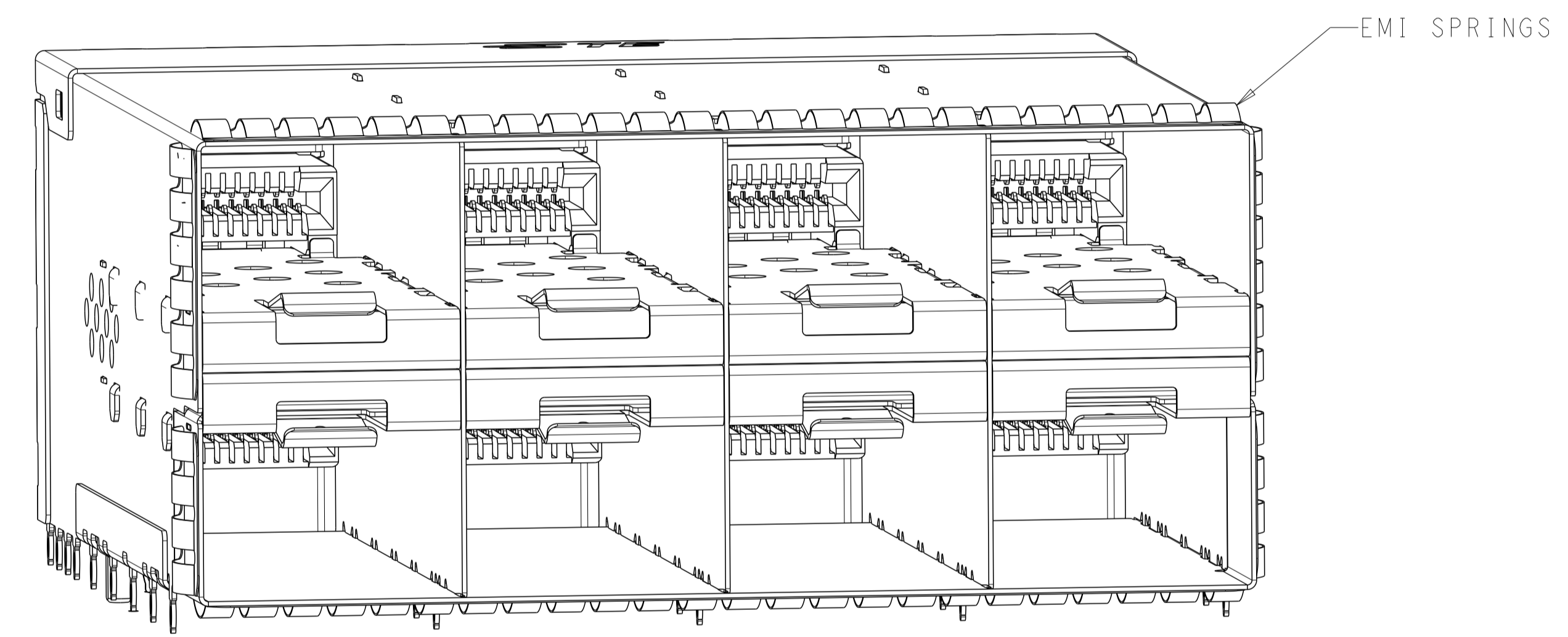


| LOC | DIST | REVISIONS | | | |
|-----|------|---------------------------|-----------|-----|------|
| P | LTN | DESCRIPTION | DATE | DWN | APVD |
| B | | REVISED PER ECO-15-010819 | 10AUG2015 | PP | SH |
| C | | REVISED PER ECO-16-004263 | 18MAR2016 | PP | SH |
| C1 | | REVISED PER ECO-16-013892 | 11JUL2016 | PP | SH |
| D | | REVISED PER ECN-22-166164 | 25JUL2022 | IT | SZ |

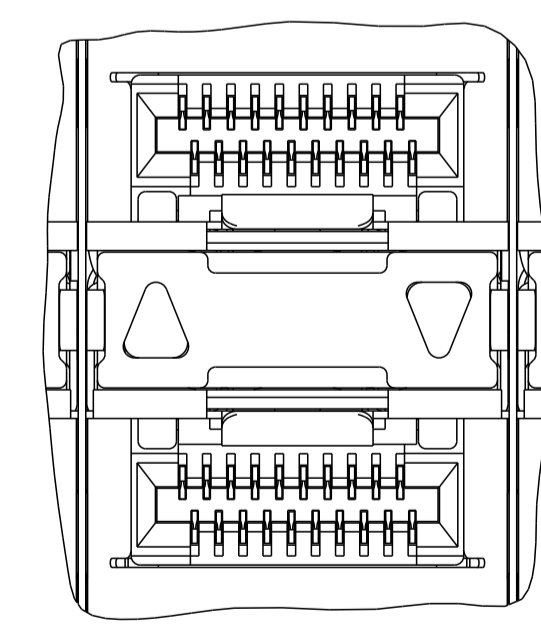
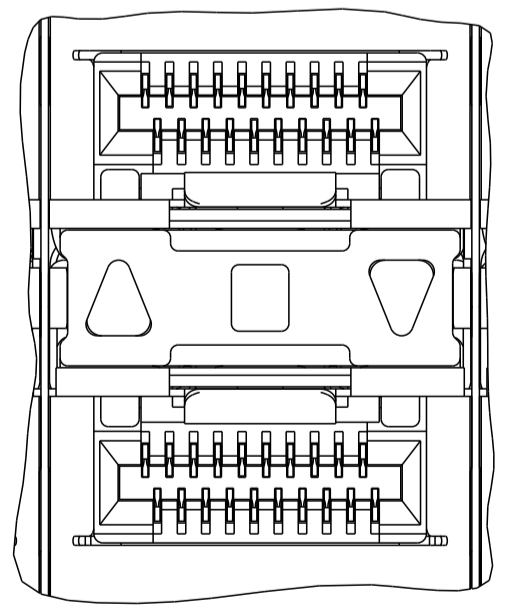
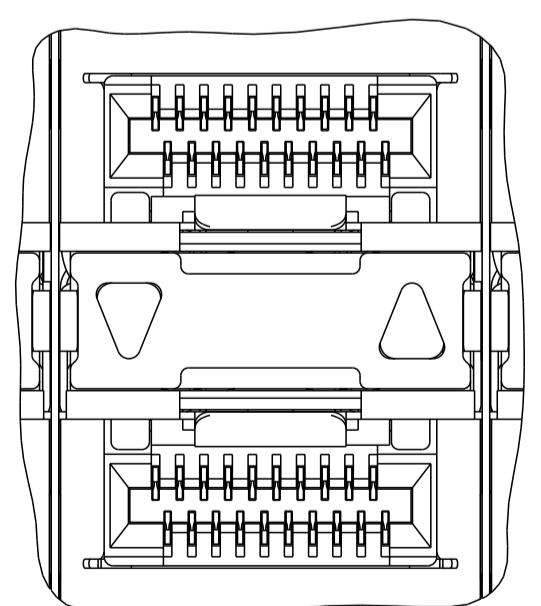
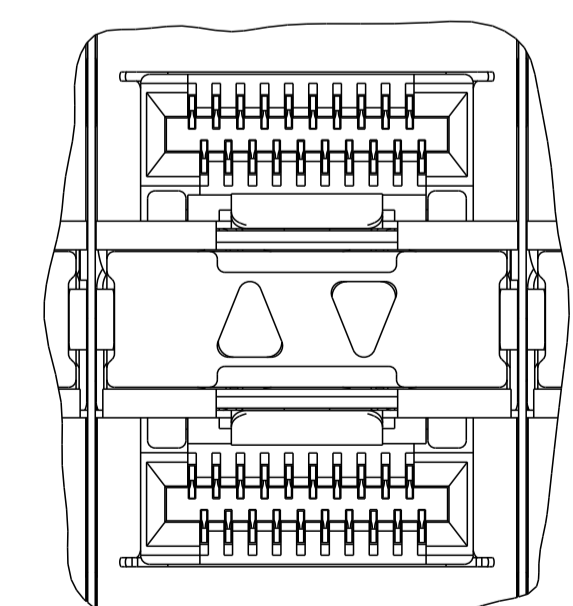
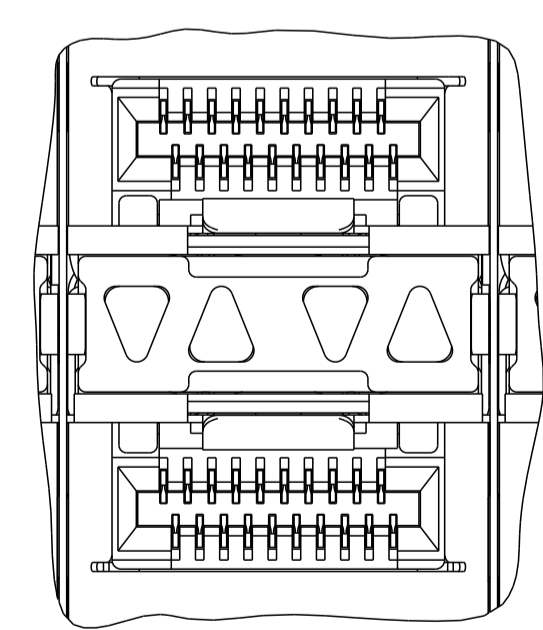


2180324-1
SCALE 4:1



2180324-5
SCALE 4:1

- MATERIALS:
 CAGE ASSEMBLY - NICKEL-SILVER ALLOY PER ASTM B 122
 CONNECTOR HOUSING - LCP, BLACK, UL 94V-0 RATED
 CONNECTOR HOUSING SHIELD - COPPER ALLOY
 CHICKLET - LCP, BLACK, UL 94V-0 RATED
 CHICKLET ALIGNMENT CLIP - PBT
 CONTACT - COPPER ALLOY
 EMI GASKET - ELASTOMERIC
 GASKET FLANGE - STAINLESS STEEL
 EMI SPRINGS - PHOSPHOR BRONZE PER ASTM B 103,
 0.8µm MIN TIN PER ASTM B 545
 LIGHT PIPE - POLYCARBONATE
 LIGHT PIPE HOUSING - ZINC ALLOY
 - CONTACT FINISH:
 CONFORMS TO THE REQUIREMENTS OF PRODUCT SPECIFICATION 108-2481,
 BASED ON EIA/ECA-364-1000.01A, (CONTROLLED ENVIRONMENT
 APPLICATIONS) ON MATING INTERFACE, TIN ON NEEDLE EYE
 - PCB MINIMUM THICKNESS = 1.5mm
- △ FOR HOLE SIZE AND PLATINGS,
SEE APPLICATION SPECIFICATION 114-13319
 - △ LIGHT PIPE PAD LAYOUT IS FOR 0805 LOW PROFILE
LED PACKAGE WITH A HEIGHT OF 0.8mm
 - △ DIMENSIONS APPLY FOR EMI SPRINGS ONLY
 - △ THE ENTIRE AREA OF THE CONNECTOR FOOTPRINT, INDICATED BY THE
DASHED LINE, TO BE CONSIDERED THE KEEPOUT AREA FOR COMPONENTS
AND SIGNAL TRACES, TOP SIDE ONLY, TOP SIDE TRACES ALLOWED
WITHIN CONNECTOR HOLE PATTERN
 - △ NICKEL PLATING ON CAGE



INNER/OUTER LIGHT PIPES
2180324-2, 2180324-6
SCALE 4:1

INNER LIGHT PIPES
2180324-3, 2180324-7
SCALE 4:1

OUTER LIGHT PIPES
2180324-4, 2180324-8
SCALE 4:1

CENTER/REVERSED OUTER
1-2180324-7, 1-2180324-9
SCALE 4:1

REVERSED OUTER LIGHT PIPES
1-2180324-8, 2-2180324-0
SCALE 4:1

| | | | |
|-------|------------------------------------|--------------------------|-------------|
| 59.5 | EMI SPRING AIRFLOW ENHANCE TYPE | OUTER | 3-2180324-3 |
| 59.5 | EMI SPRING AIRFLOW ENHANCE TYPE | CENTER/REVERSED OUTER | 3-2180324-2 |
| 59.5 | EMI SPRING AIRFLOW ENHANCE TYPE | NONE | 3-2180324-1 |
| 62.25 | EMI GASKET AIRFLOW ENHANCE TYPE | NONE | 3-2180324-0 |
| 59.5 | EMI SPRINGS | REVERSED OUTER | 2-2180324-0 |
| | | CENTER/REVERSED OUTER | 1-2180324-9 |
| 62.25 | EMI GASKET | REVERSED OUTER | 1-2180324-8 |
| | | CENTER/REVERSED OUTER | 1-2180324-7 |
| 59.5 | EMI SPRINGS | OUTER | 2180324-8 |
| | | INNER | 2180324-7 |
| | | INNER/OUTER | 2180324-6 |
| | | NONE | 2180324-5 |
| 62.25 | EMI GASKET | OUTER | 2180324-4 |
| | | INNER | 2180324-3 |
| | | INNER/OUTER | 2180324-2 |
| | | NONE | 2180324-1 |
| (E) | CAGE TYPE | LIGHT PIPE CONFIGURATION | PART NUMBER |

THIS DRAWING IS A CONTROLLED DOCUMENT.

APVD: M.D. MORRISON 25OCT2011
 CHK: M.E. CONNER 16SEP2011
 DWG: M.E. CONNER 14SEP2011

NAME: RECEPTACLE ASSEMBLY, 2X4, STACKED, zSFP+

PRODUCT SPEC: 108-2481
 APPLICATION SPEC: 114-13319

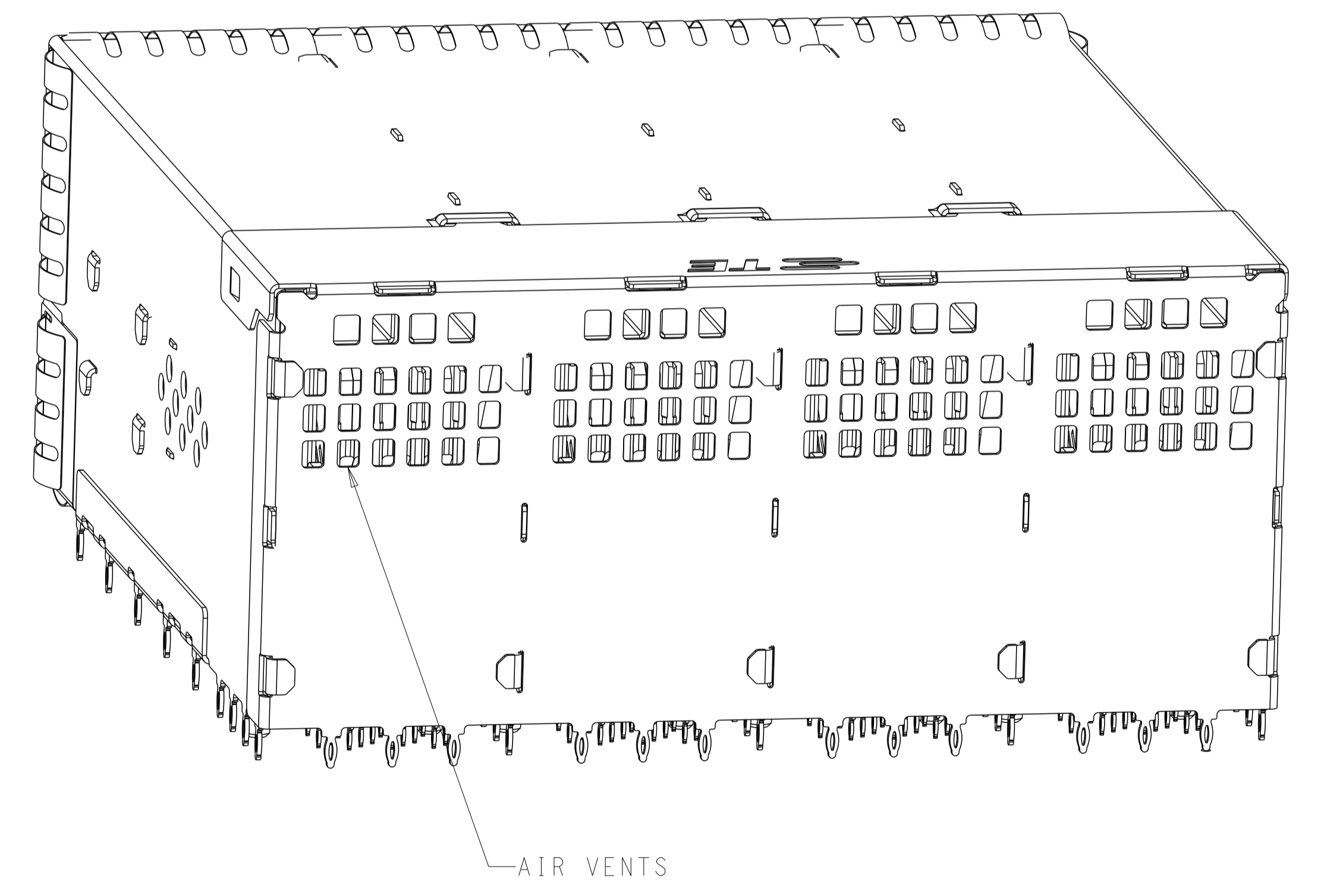
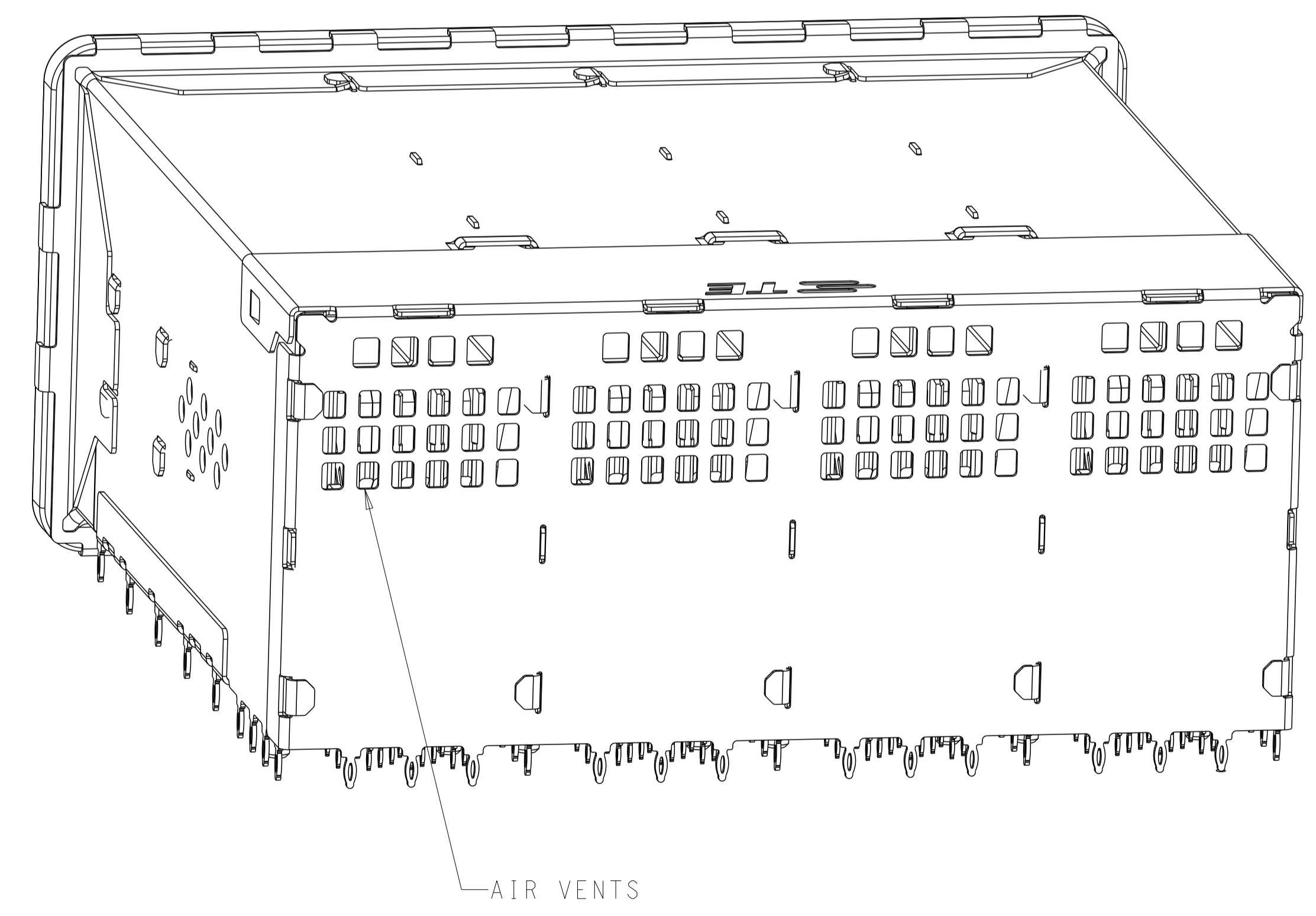
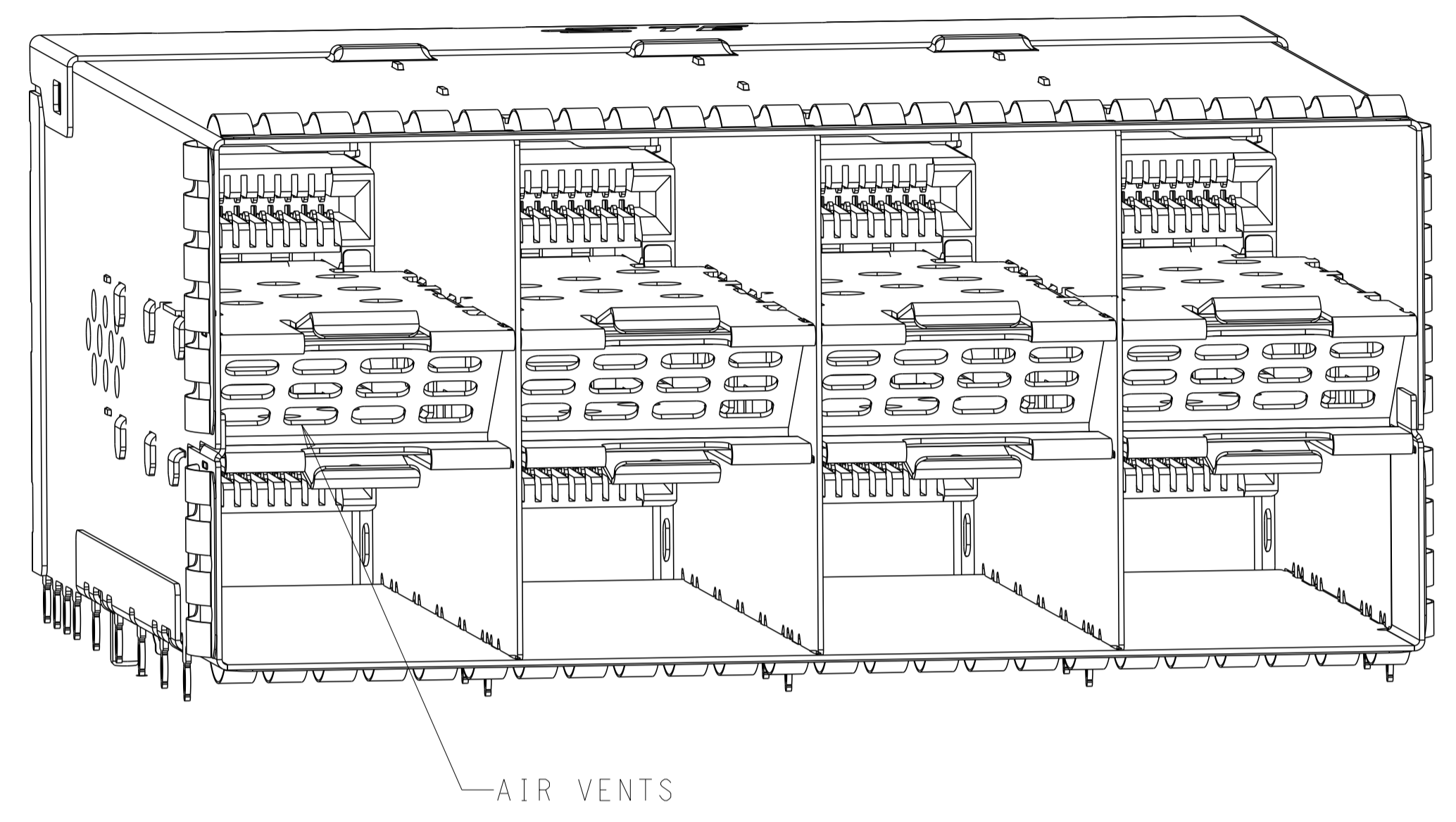
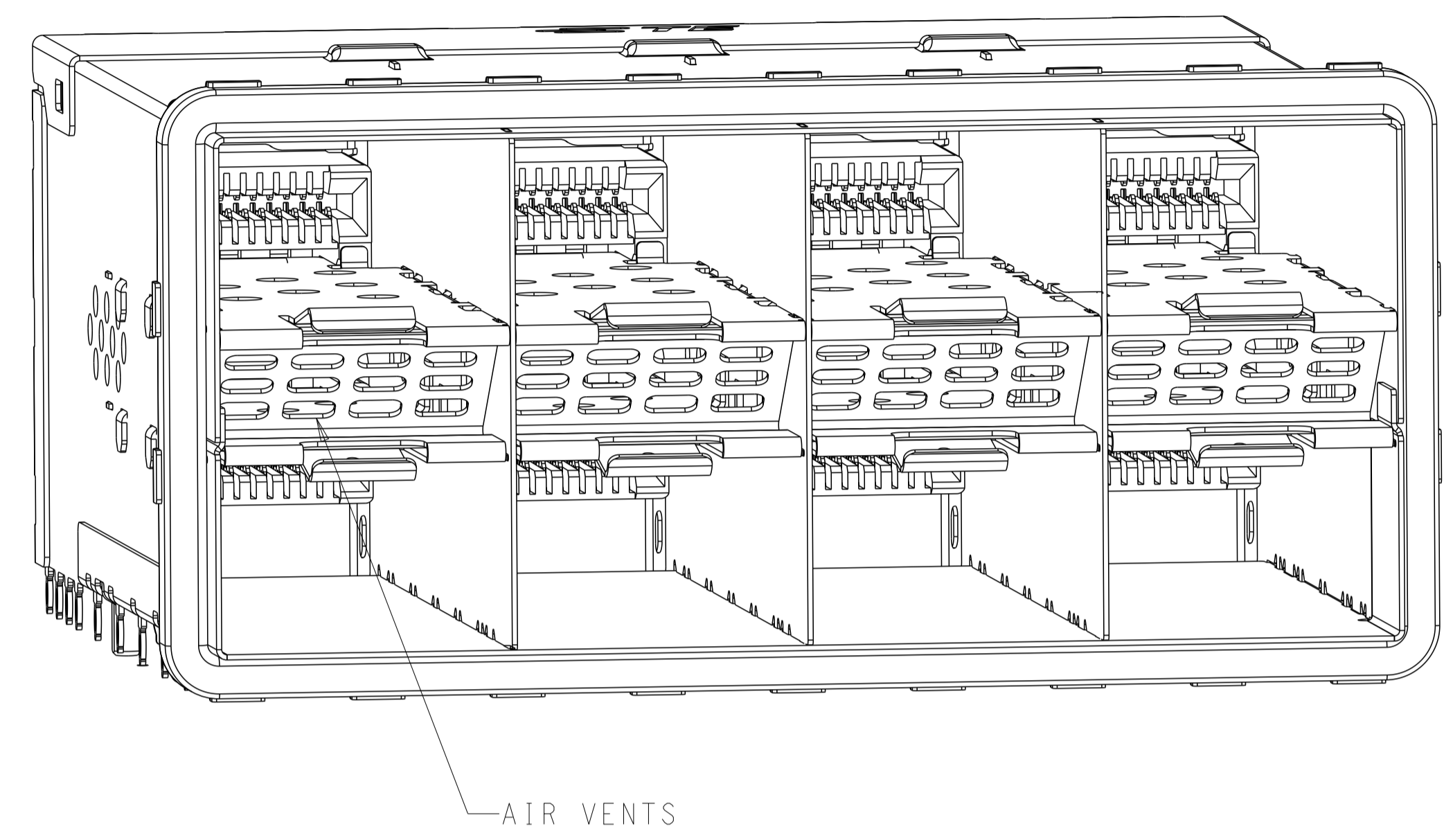
SIZE: A1
 CAGE CODE: 00779
 DRAWING NO: 2180324

SCALE: 4:1
 SHEET: 1 OF 7
 REV: D

STE TE Connectivity

| LOC | | DIST | | REVISIONS | | | | |
|-----|-----|------|-----|-----------|-------------|------|-----|------|
| P | LTN | DATE | OWN | APVD | DESCRIPTION | DATE | OWN | APVD |
| - | - | - | - | - | SEE SHEET 1 | - | - | - |

AIRFLOW ENHANCE W/O LP TYPE



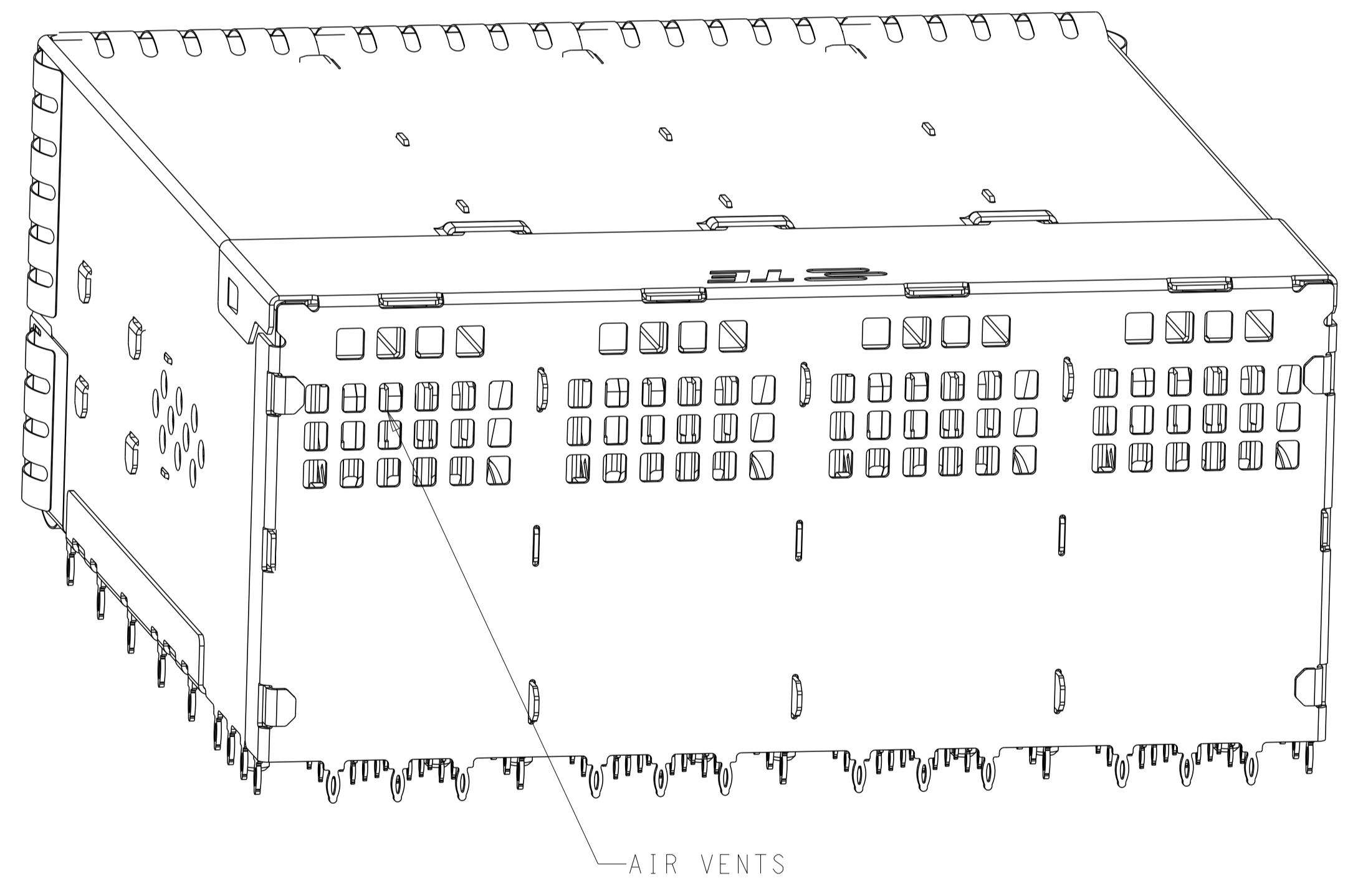
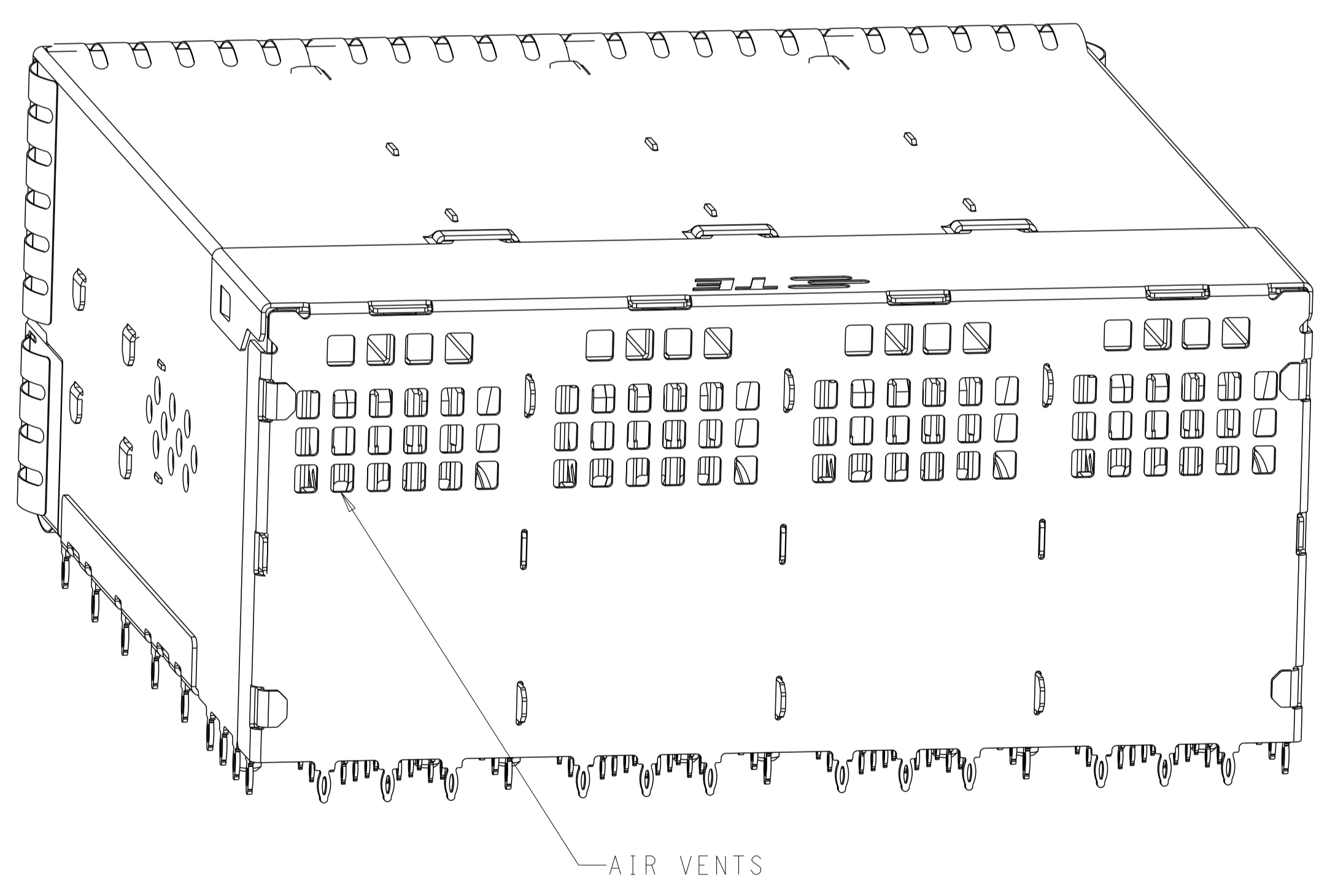
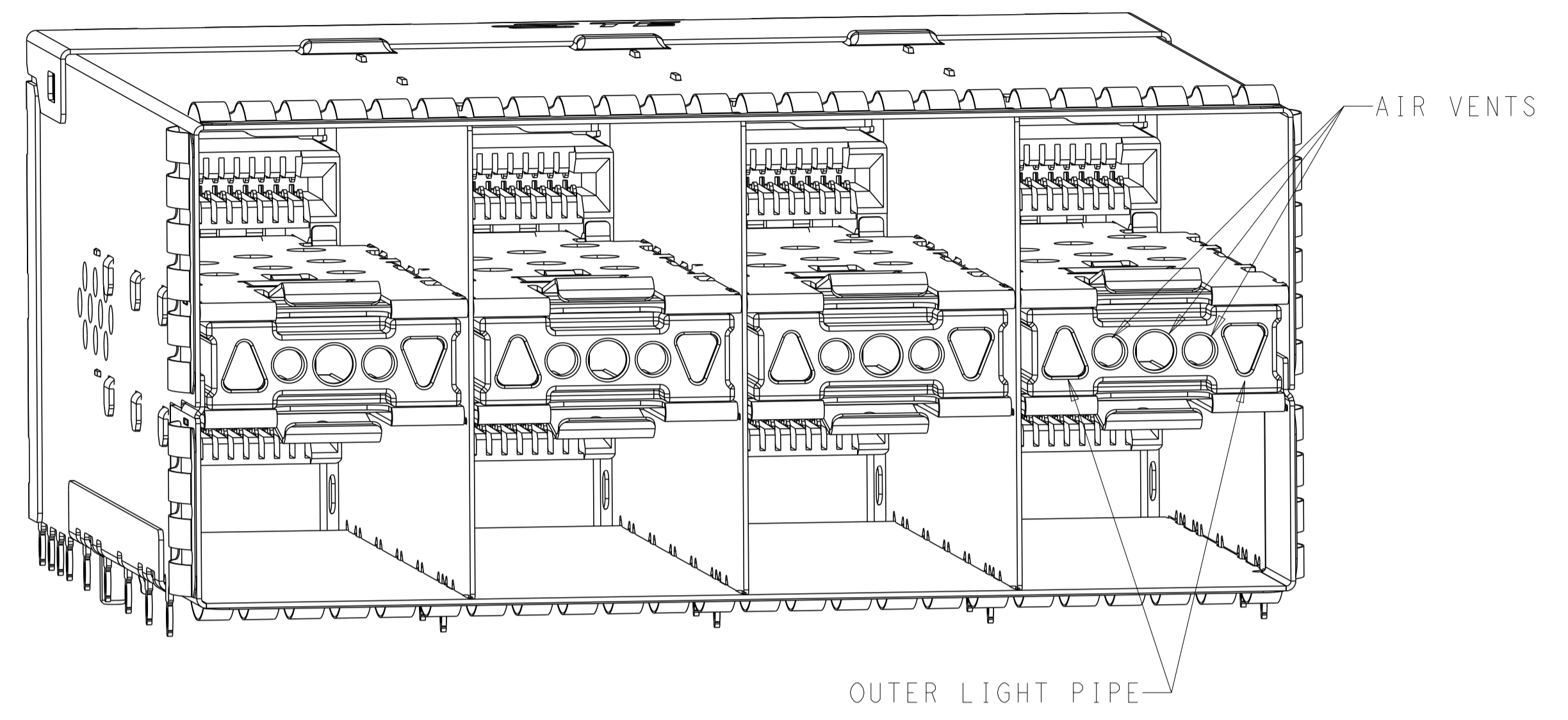
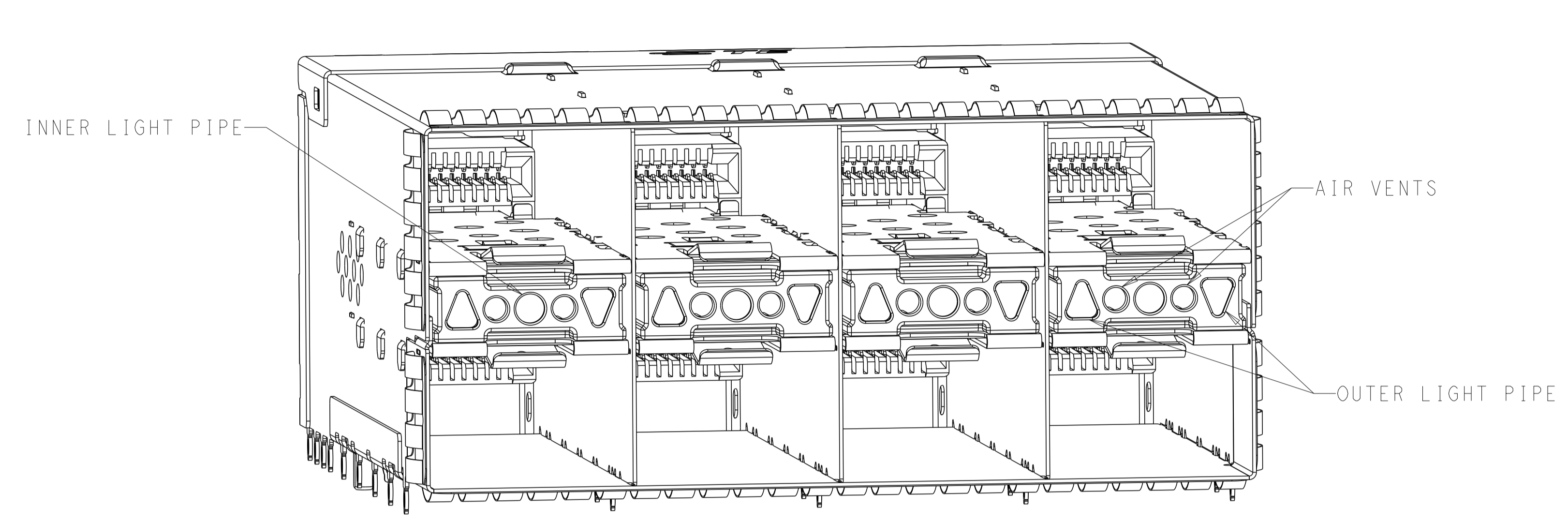
3-2180324-0
EMI GASKET TYPE

3-2180324-1
EMI SPRING TYPE

| | | | |
|--|-------------------|-------------------------------|---|
| THIS DRAWING IS A CONTROLLED DOCUMENT. | | OWN: M.E. CONNER 14SEP2011 | TE Connectivity NAME: RECEPTACLE ASSEMBLY, 2X4, STACKED, zSFP+ |
| DIMENSIONS: mm | | CHK: M.D. MORRISON 16SEP2011 | |
| TOLERANCES UNLESS OTHERWISE SPECIFIED: | | APVD: M.D. MORRISON 25OCT2011 | SIZE: A1 |
| 0 PLC ±0.13 | 1 PLC ±0.13 | PRODUCT SPEC: 108-2481 | CAGE CODE: 2180324 |
| 2 PLC ±0.13 | 3 PLC ±0.13 | APPLICATION SPEC: 114-13319 | RESTRICTED TO: - |
| 4 PLC ±0.13 | ANGLES ± | WEIGHT: - | SCALE: 4:1 |
| MATERIAL: SEE NOTES | FINISH: SEE NOTES | CUSTOMER DRAWING | SHEET 2 OF 7 REV D |

| LOC | | DIST | | REVISIONS | | | |
|-----|-----|-------------|------|-----------|------|--|--|
| P | LYR | DESCRIPTION | DATE | OWN | APVD | | |
| - | - | SEE SHEET 1 | - | - | - | | |

AIRFLOW ENHANCE W/ LP TYPE

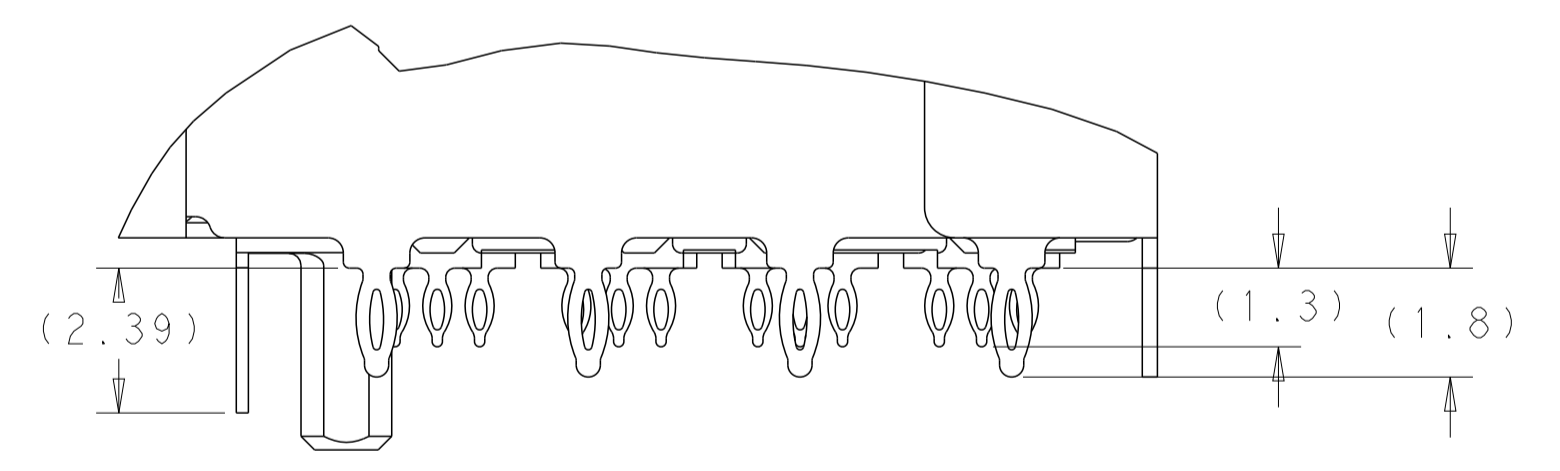
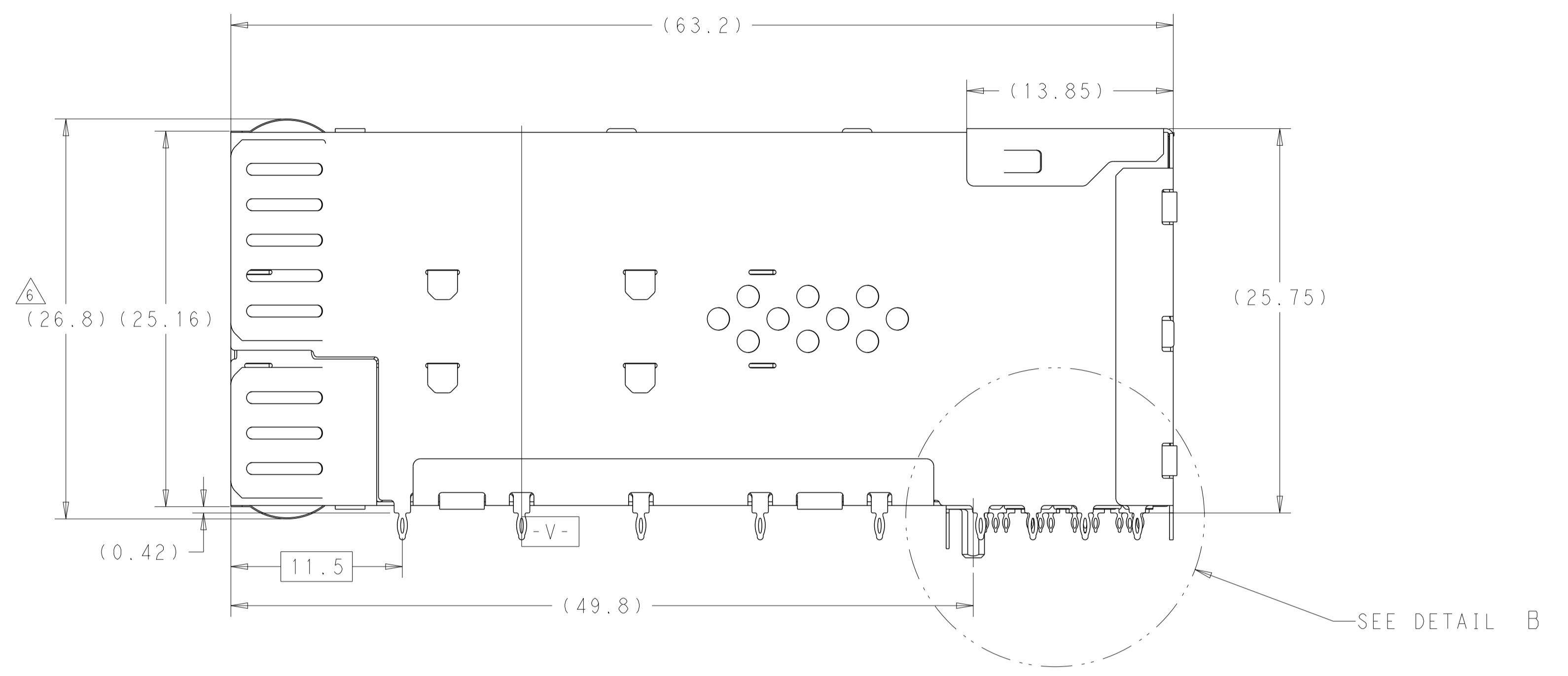
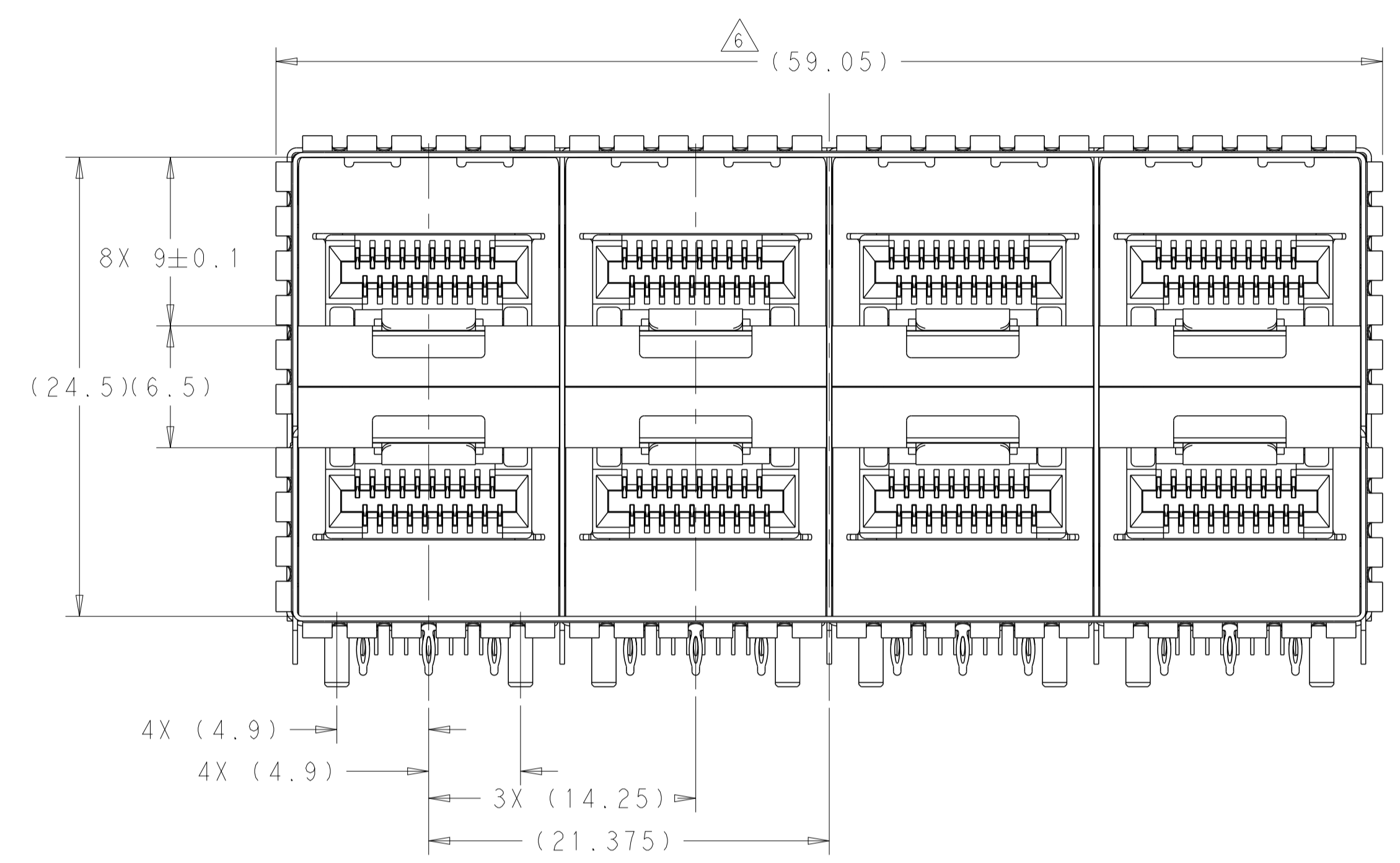


3-2180324-2
EMI SPRING W/ LP TYPE

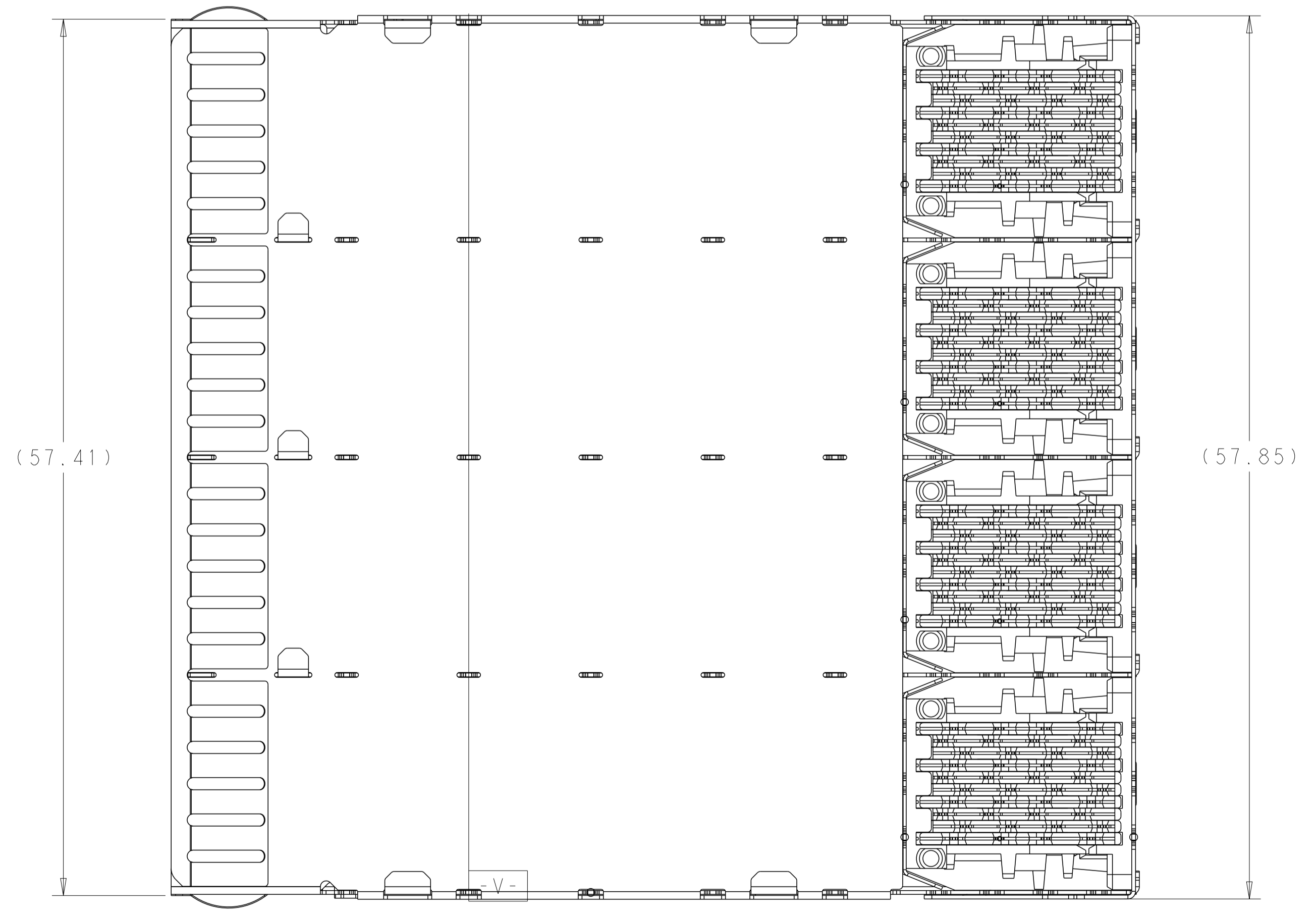
3-2180324-3
EMI SPRING W/ OUTER LP TYPE

| | | | |
|---|--|-------------------------------|--|
| THIS DRAWING IS A CONTROLLED DOCUMENT. | | OWN: M.E. CONNER 14SEP2011 | |
| DIMENSIONS: mm | | CHK: M.D. MORRISON 16SEP2011 | |
| TOLERANCES UNLESS OTHERWISE SPECIFIED: | | APVD: M.D. MORRISON 25OCT2011 | NAME: RECEPTACLE ASSEMBLY, 2X4, STACKED, zSFP+ |
| 0 PLC ±0.13 1 PLC ±0.13 2 PLC ±0.13 3 PLC ±0.13 4 PLC ±0.13 ANGLES ±0.13 | | PRODUCT SPEC: 108-2481 | SIZE: A1 |
| MATERIAL: SEE NOTES | | APPLICATION SPEC: 114-13319 | CAGE CODE: 2180324 |
| FINISH: SEE NOTES | | WEIGHT: - | SCALE: 4:1 |
| | | CUSTOMER DRAWING | SHEET 3 OF 7 REV D |

| LOC | | DIST | | REVISIONS | | | | |
|-----|-----|------|-----|-----------|-------------|------|-----|------|
| P | LTN | DATE | DMN | APVD | DESCRIPTION | DATE | DMN | APVD |
| - | - | - | - | - | SEE SHEET 1 | - | - | - |



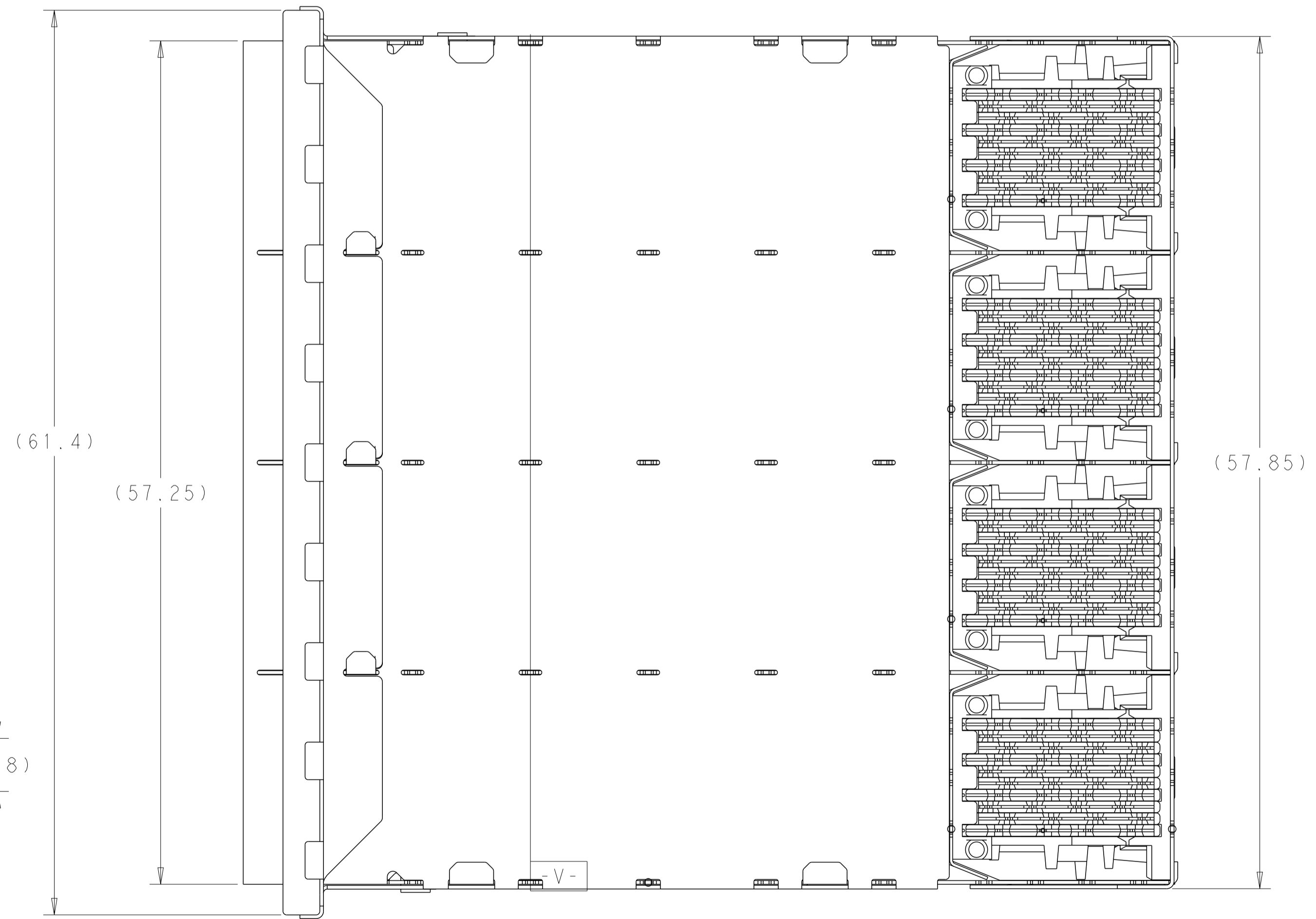
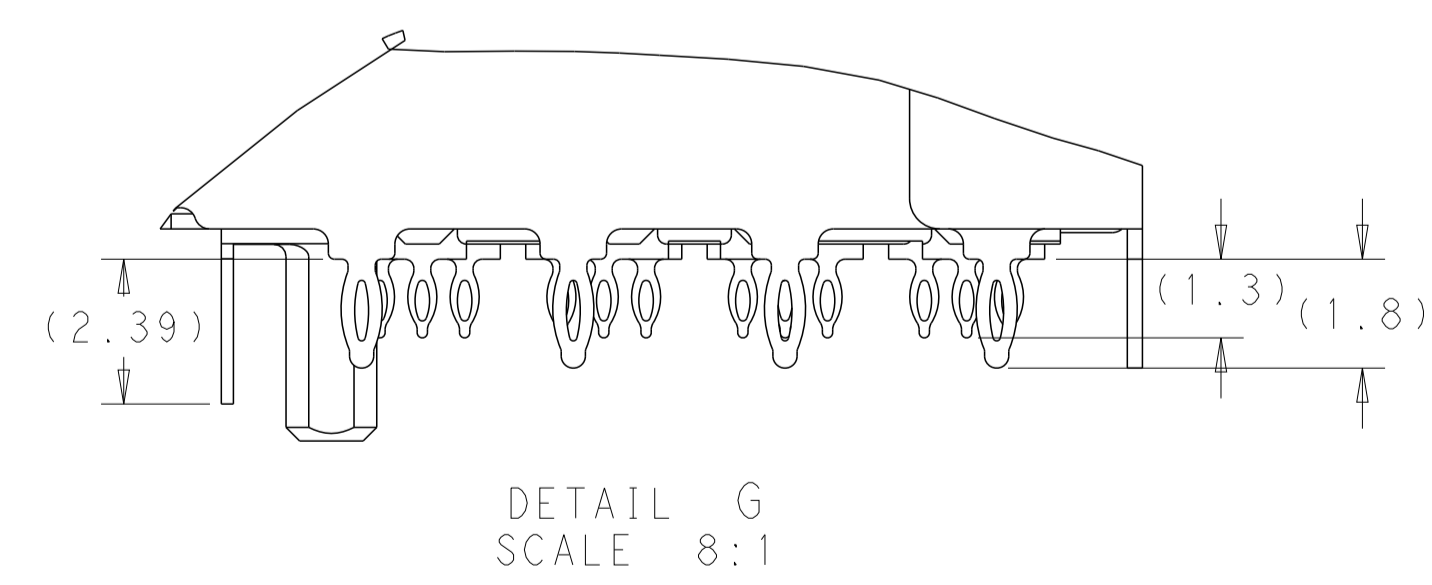
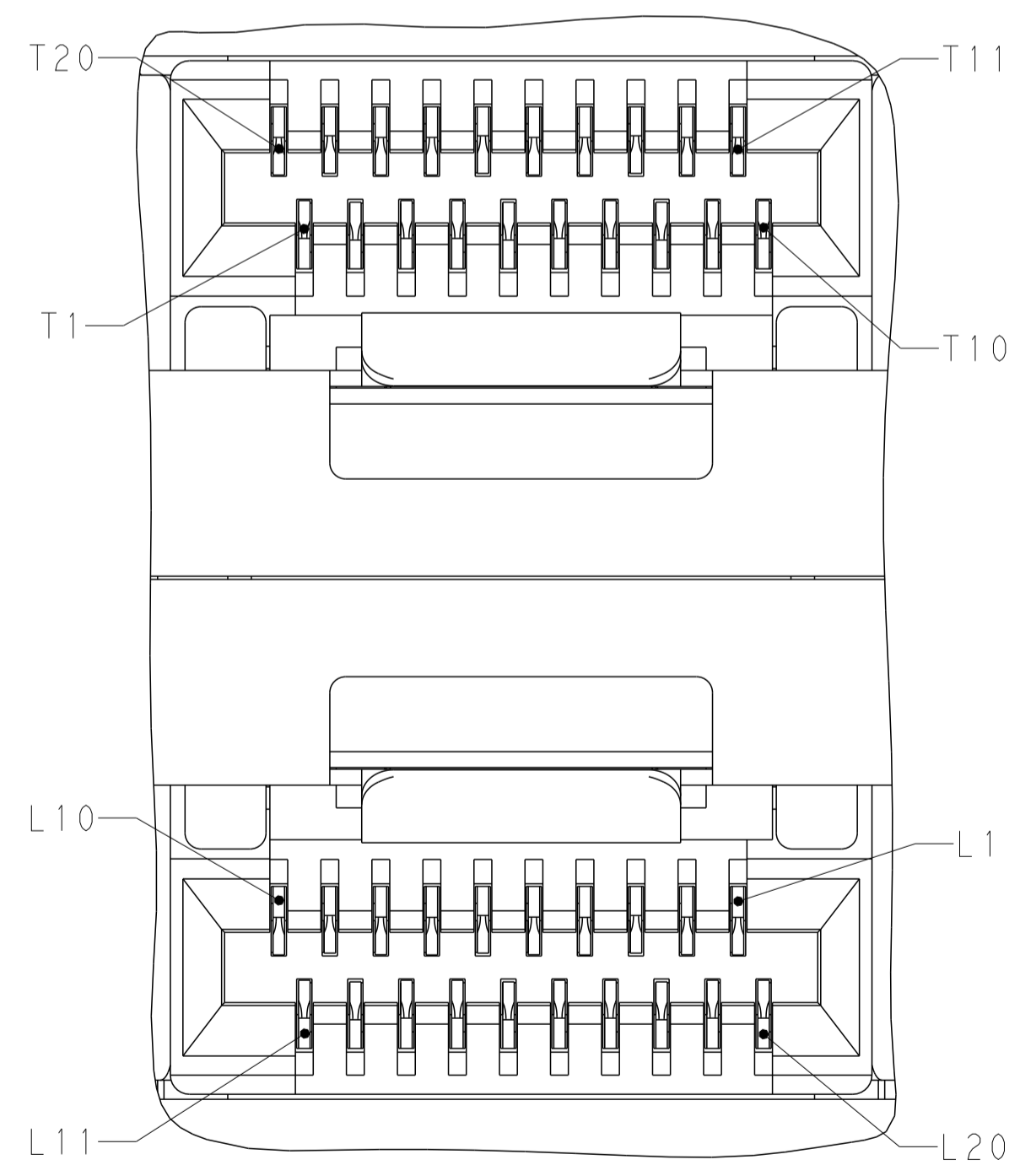
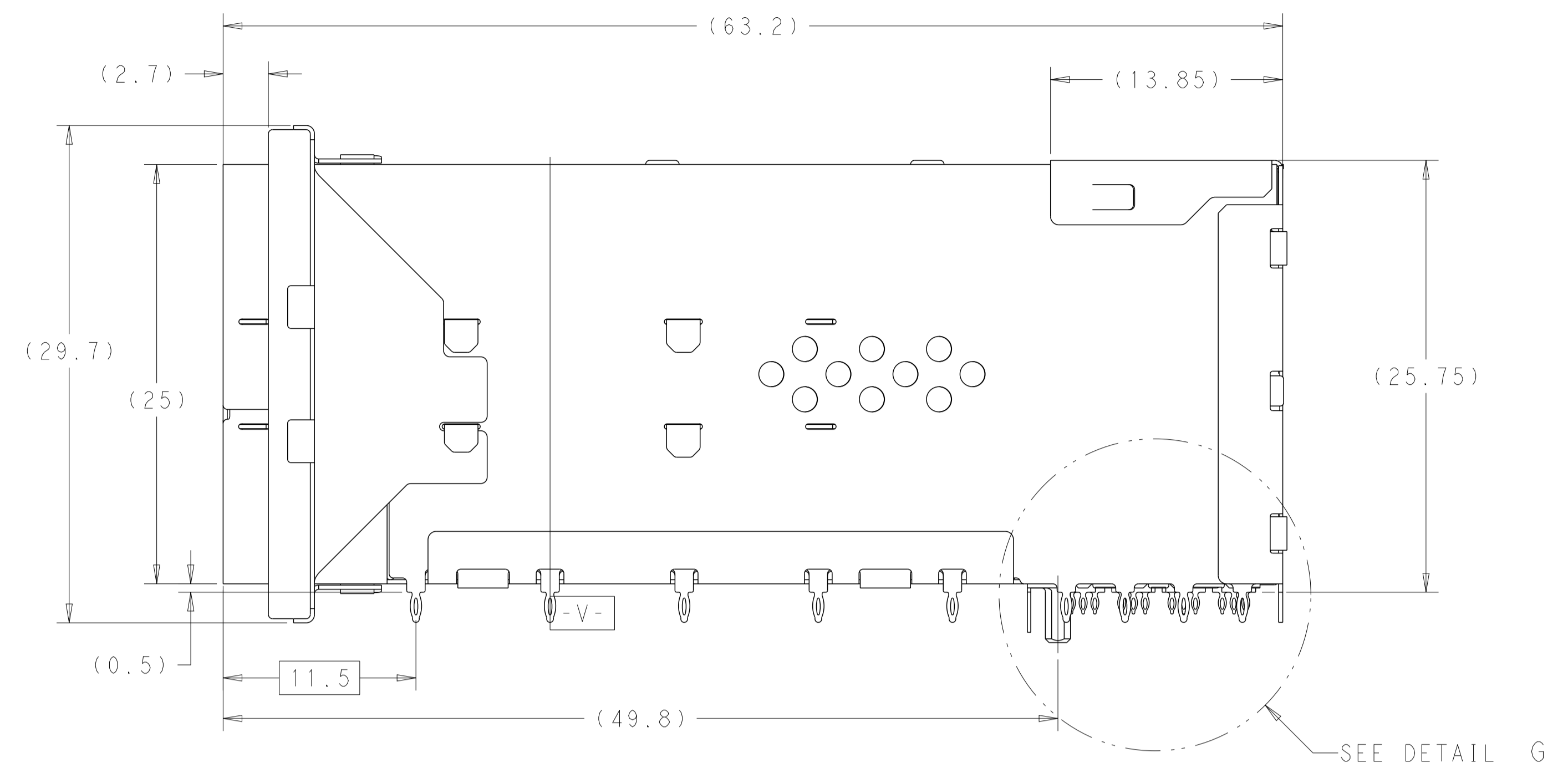
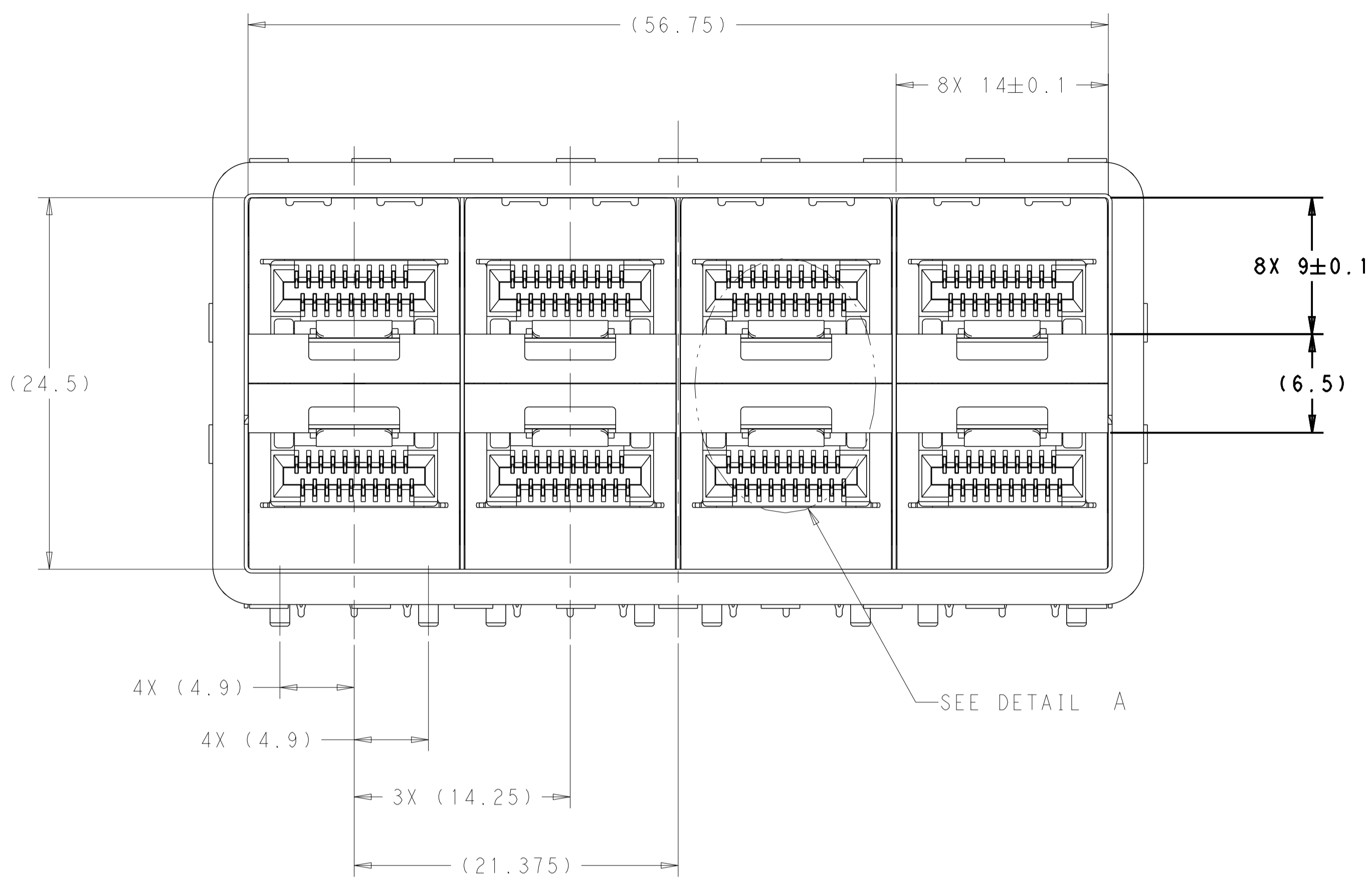
DETAIL B
SCALE 8:1



2180324-5 THRU 2180324-8, 1-2180324-9, 2-2180324-0, 3-2180324-1, 3-2180324-2, 3-2180324-3
 EMI SPRINGS ONLY
 SCALE 4:1

| | | | |
|---|--|--------------------------------|--|
| THIS DRAWING IS A CONTROLLED DOCUMENT. | | OWN: M. E. CONNER 14SEP2011 | TE Connectivity |
| DIMENSIONS: mm | | CHK: M. D. MORRISON 16SEP2011 | |
| TOLERANCES UNLESS OTHERWISE SPECIFIED: | | APVD: M. D. MORRISON 25OCT2011 | NAME: RECEPTACLE ASSEMBLY, 2X4, STACKED, zSFP+ |
| 0 PLC ±0.13 1 PLC ±0.13 2 PLC ±0.13 3 PLC ±0.13 4 PLC ±0.13 ANGLES ±0.13 | | PRODUCT SPEC: 108-2481 | SIZE: A1 |
| MATERIAL: SEE NOTES | | APPLICATION SPEC: 114-13319 | CAGE CODE: C=2180324 |
| FINISH: SEE NOTES | | WEIGHT: - | RESTRICTED TO: - |
| | | CUSTOMER DRAWING | SCALE: 4:1 SHEET 4 OF 7 REV D |

| LOC | | DIST | | REVISIONS | | | | |
|-----|-----|------|-----|-----------|-------------|------|-----|------|
| P | LTN | DATE | DMN | APVD | DESCRIPTION | DATE | DMN | APVD |
| - | - | - | - | - | SEE SHEET 1 | - | - | - |



DETAIL A
 4X INDIVIDUALLY
 SCALE 10:1

DETAIL G
 SCALE 8:1

THIS DRAWING IS A CONTROLLED DOCUMENT. DWG: M.E. CONNER 14SEP2011
 CHK: M.D. MORRISON 16SEP2011
 APVD: M.D. MORRISON 25OCT2011

RECEPTACLE ASSEMBLY, 2X4, STACKED, zSFP+

STE TE Connectivity

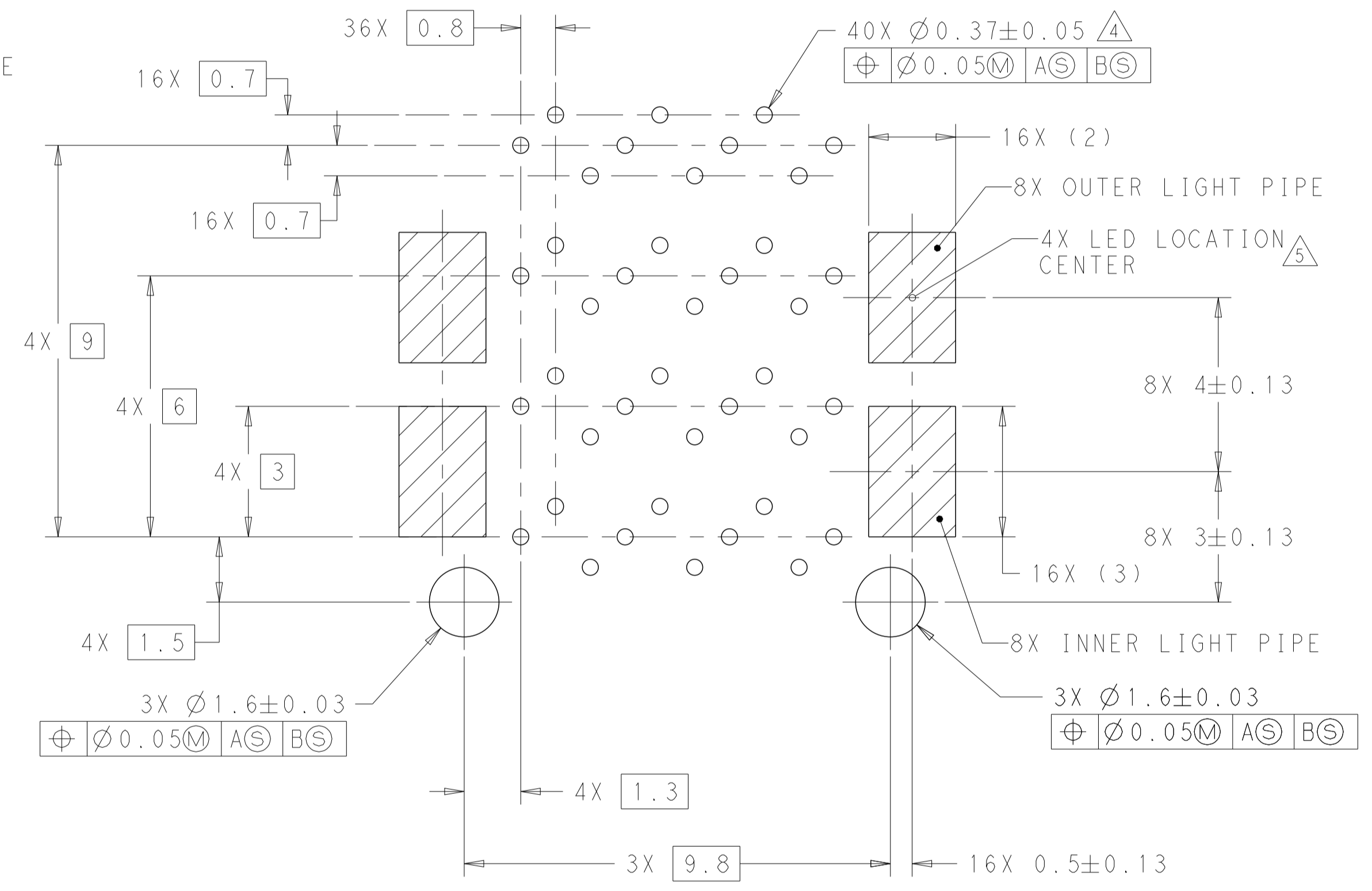
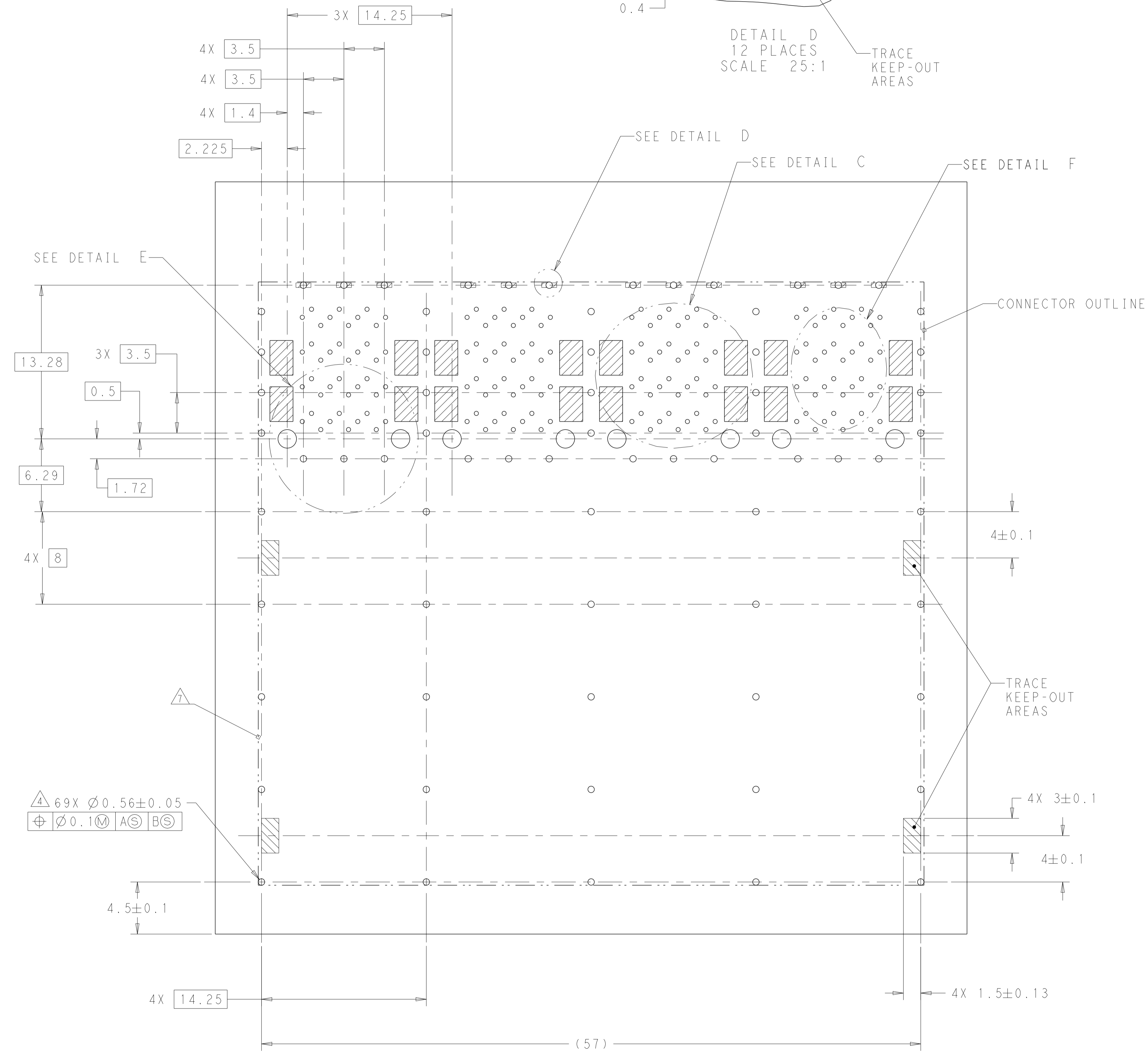
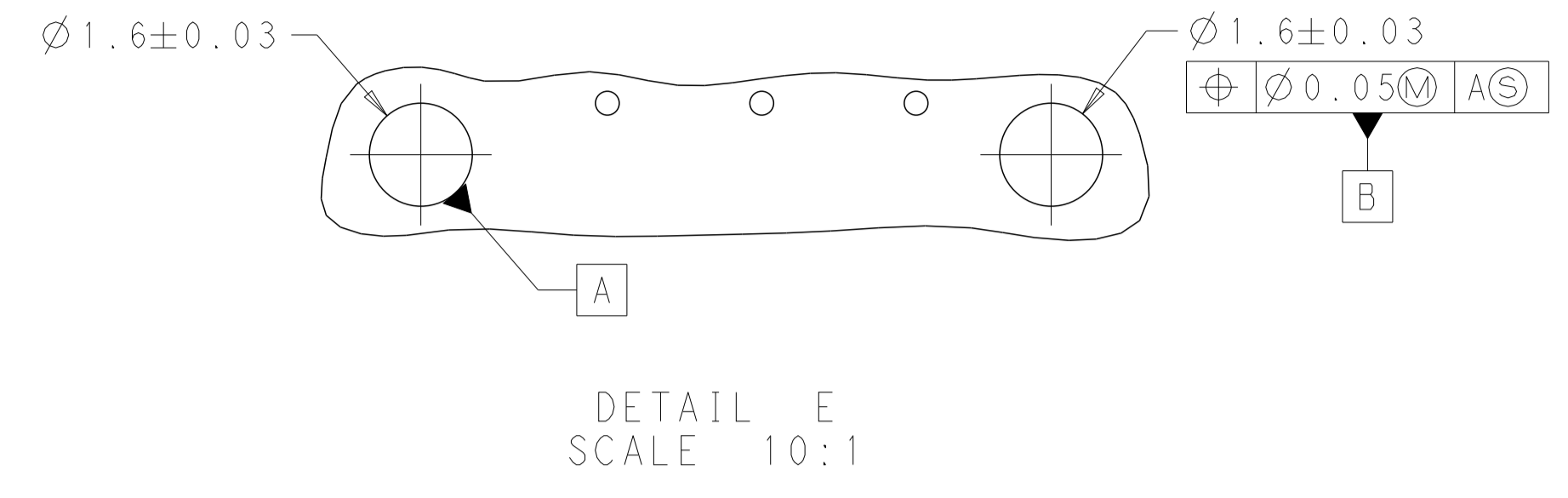
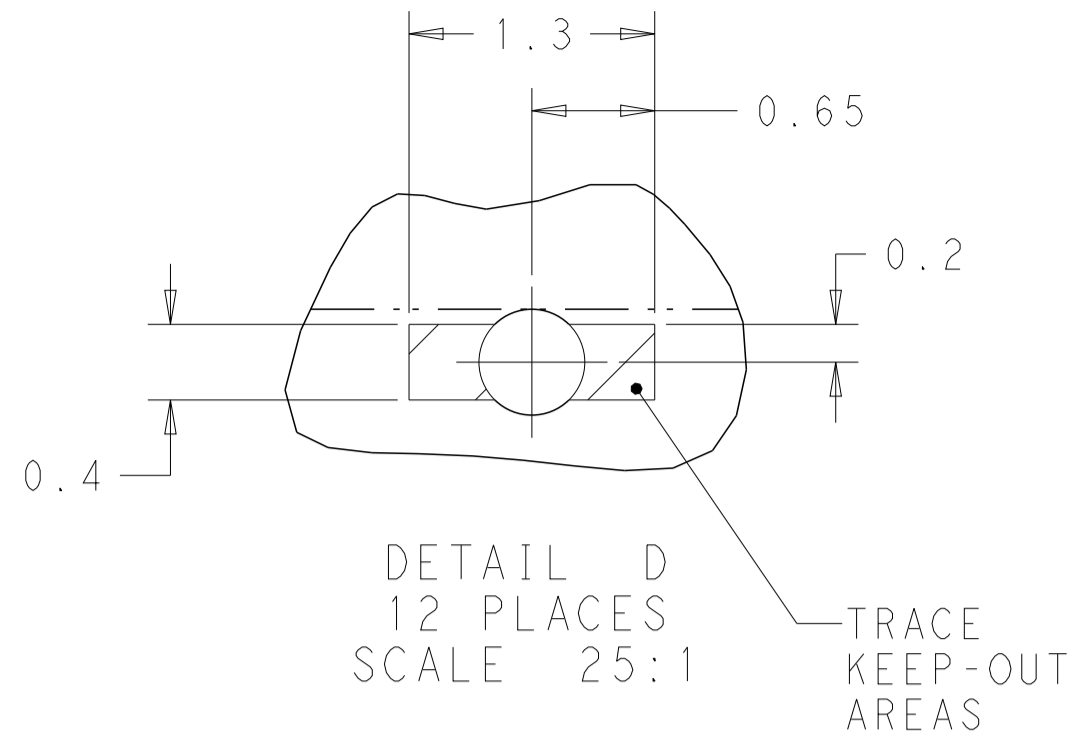
SCALE 4:1 SHEET 5 OF 7 REV D

| DIMENSIONS: | TOLERANCES UNLESS OTHERWISE SPECIFIED: |
|-------------|--|
| mm | 0 PLC ±0.13 |
| | 2 PLC ±0.13 |
| | 3 PLC ±0.13 |
| | 4 PLC ±0.13 |
| | ANGLES ±0.13 |
| | FINISH SEE NOTES |

MATERIAL: SEE NOTES

SIZE: 108-2481
 APPLICATION SPEC: 114-13319
 WEIGHT: -
 CUSTOMER DRAWING

| LOC | | DIST | | REVISIONS | | | |
|-----|----|------|-----|-------------|------|-----|------|
| GP | 00 | P | LYR | DESCRIPTION | DATE | OWN | APVD |
| | | - | - | SEE SHEET 1 | - | - | - |



69X $\varnothing 0.56 \pm 0.05$
 $\varnothing 0.10$ M A B

3X $\varnothing 1.6 \pm 0.03$
 $\varnothing 0.05$ M A B

3X $\varnothing 1.6 \pm 0.03$
 $\varnothing 0.05$ M A B

| | | | |
|--|-------------------|-------------------------------|--|
| THIS DRAWING IS A CONTROLLED DOCUMENT. | | OWN: M.E. CONNER 14SEP2011 | TE Connectivity |
| DIMENSIONS: mm | | CHK: M.D. MORRISON 16SEP2011 | |
| TOLERANCES UNLESS OTHERWISE SPECIFIED: | | APVD: M.D. MORRISON 25OCT2011 | NAME: RECEPTACLE ASSEMBLY, 2X4, STACKED, zSFP+ |
| 0 PLC ±0.13 | 1 PLC ±0.13 | PRODUCT SPEC: 108-2481 | SIZE: A1 |
| 2 PLC ±0.13 | 3 PLC ±0.13 | APPLICATION SPEC: 114-13319 | CAGE CODE: 2180324 |
| 4 PLC ±0.13 | ANGLES ±0.13 | WEIGHT: - | SCALE: 4:1 |
| MATERIAL: SEE NOTES | FINISH: SEE NOTES | CUSTOMER DRAWING | SHEET 6 OF 7 |

| LOC | DIST | REVISIONS | | | | | |
|-----|------|-----------|-----|-------------|------|-----|------|
| GP | 00 | P | LTH | DESCRIPTION | DATE | OWN | APVD |
| | | - | - | SEE SHEET 1 | - | - | - |

T19 ○ T16 ○ T13 ○
 T20 ○ T17 ○ T14 ○ T11 ○
 T18 ○ T15 ○ T12 ○

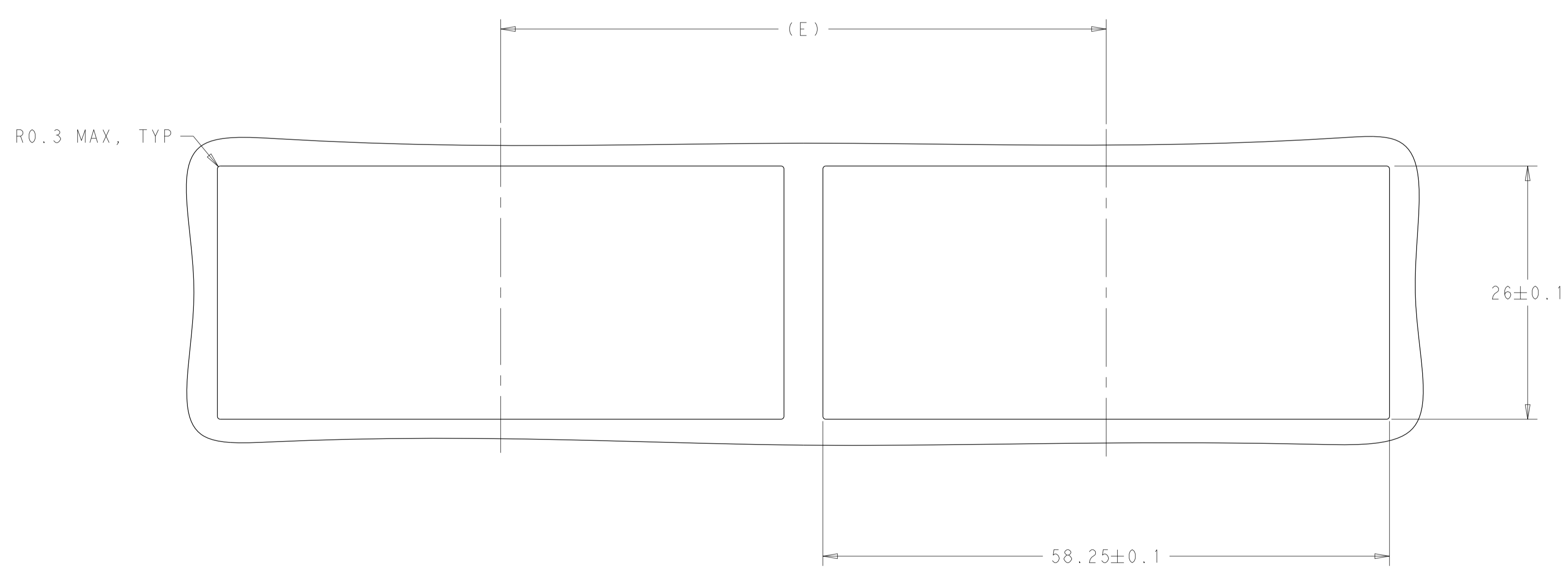
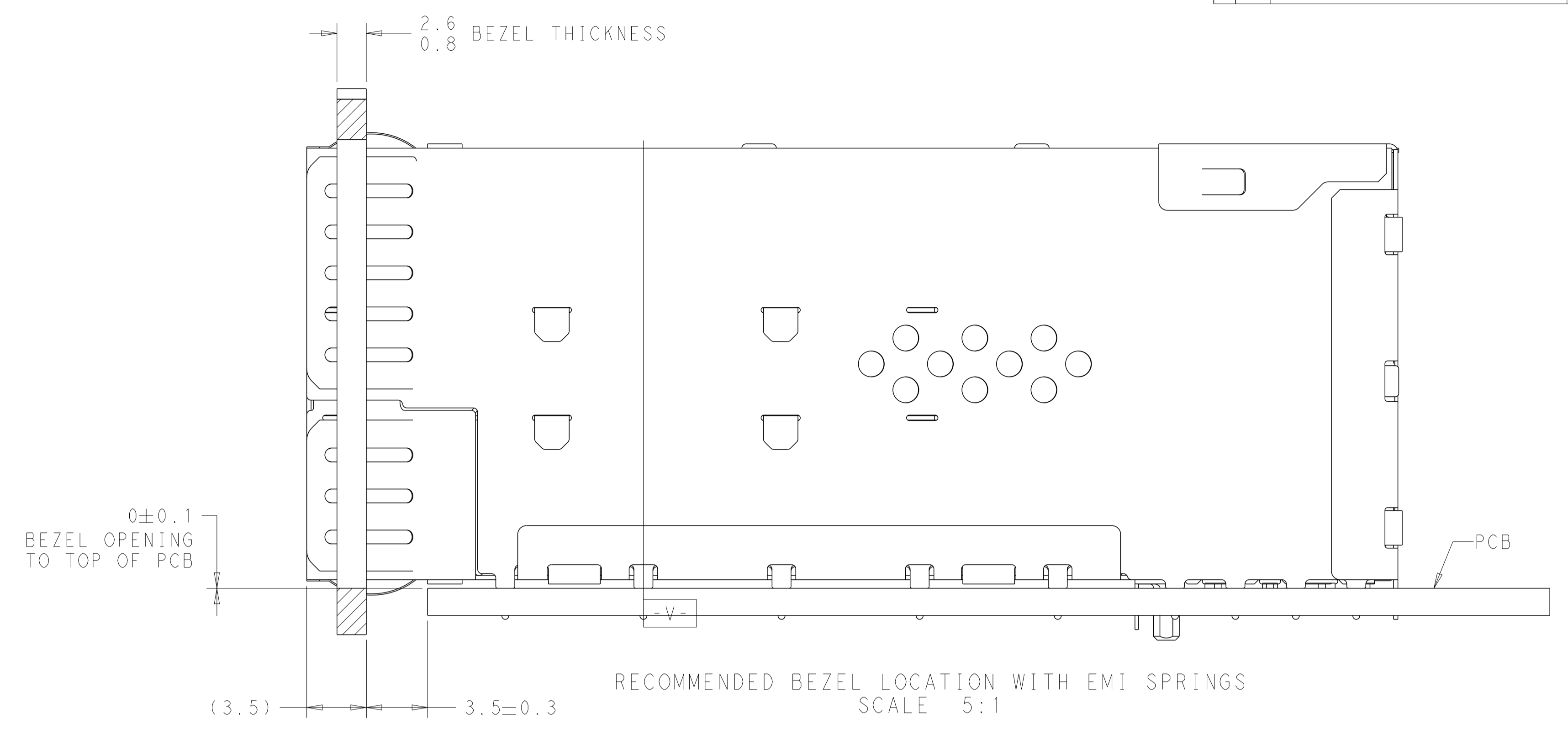
T2 ○ T5 ○ T8 ○
 T1 ○ T4 ○ T7 ○ T10 ○
 T3 ○ T6 ○ T9 ○

L9 ○ L6 ○ L3 ○
 L10 ○ L7 ○ L4 ○ L1 ○
 L8 ○ L5 ○ L2 ○

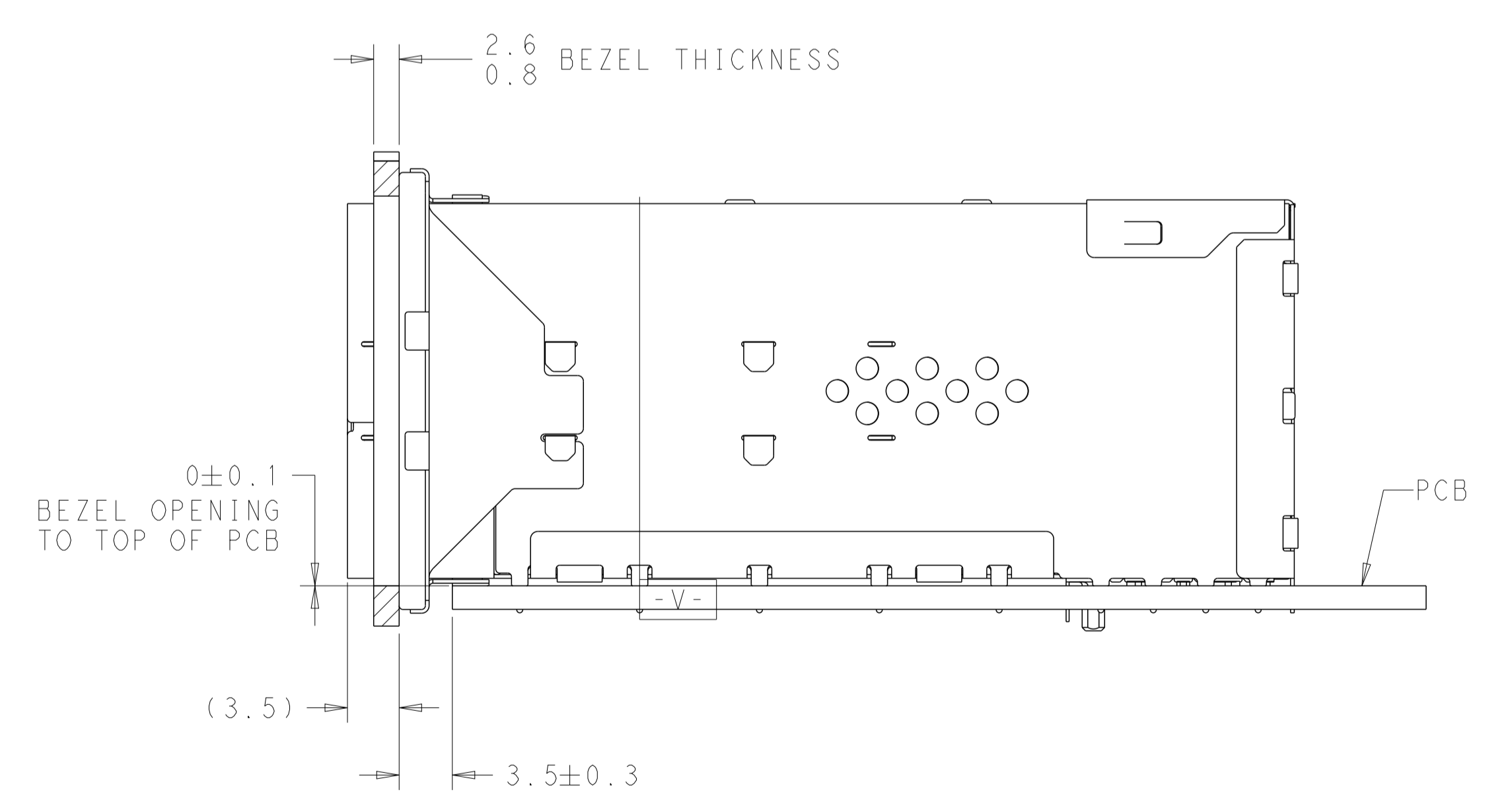
L12 ○ L15 ○ L18 ○
 L11 ○ L14 ○ L17 ○ L20 ○
 L13 ○ L16 ○ L19 ○

| PIN MAP LEGEND | |
|----------------|------------|
| PIN NUMBER | FUNCTION |
| L1/T1 | VEET |
| L2/T2 | TX-FAULT |
| L3/T3 | TX-DISABLE |
| L4/T4 | SDA |
| L5/T5 | SCL |
| L6/T6 | MOD_ABS |
| L7/T7 | RS0 |
| L8/T8 | RX_LOS |
| L9/T9 | RS1 |
| L10/T10 | VEER |
| L11/T11 | VEER |
| L12/T12 | RD- |
| L13/T13 | RD+ |
| L14/T14 | VEER |
| L15/T15 | VCCR |
| L16/T16 | VCCT |
| L17/T17 | VEET |
| L18/T18 | TD+ |
| L19/T19 | TD- |
| L20/T20 | VEET |

DETAIL F
 PIN MAP
 4 PLACES
 SCALE 15:1



RECOMMENDED BEZEL CUT-OUT DETAIL
 SCALE 3:1



| | | | |
|--|--|-------------------------------|--|
| THIS DRAWING IS A CONTROLLED DOCUMENT. | | OWN: M.E. CONNER 14SEP2011 | TE Connectivity |
| DIMENSIONS: mm | | CHK: M.D. MORRISON 16SEP2011 | |
| TOLERANCES UNLESS OTHERWISE SPECIFIED: | | APVD: M.D. MORRISON 25OCT2011 | NAME: RECEPTACLE ASSEMBLY, 2X4, STACKED, zSFP+ |
| 0 PLC ±0.13 | | PRODUCT SPEC: 108-2481 | |
| 1 PLC ±0.13 | | APPLICATION SPEC: 114-13319 | SIZE: A1 |
| 2 PLC ±0.13 | | WEIGHT: - | CAGE CODE: 2180324 |
| 3 PLC ±0.13 | | FINISH: SEE NOTES | SCALE: 4:1 |
| 4 PLC ±0.13 | | CUSTOMER DRAWING | SHEET 7 OF 7 |
| ANGLES ±0.13 | | | REV D |