

ITEM	PART#	DESCRIPTION	QTY	UOM
A	39012026	2CKT NEW MINI FIT HOUSING 555902P210	1	PC
B	39000095	MiniFit Term Crp Male C Bs Au 16awg	2	PC
C	--	PAPER PRINTED PAPER WHITE	1	PC

FROM	TO	DESCRIPTION	COLOR
A1	--	1X16AWG DISC PVC BK UL1015 HOOKUP	BLACK
A2	--	1X16AWG DISC PVC BK UL1015 HOOKUP	BLACK

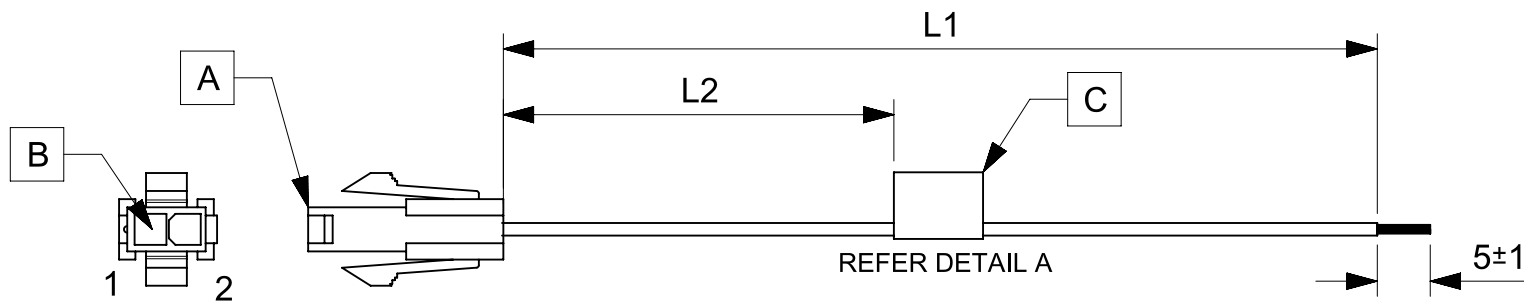


TABLE			
PART NUMBER	L1	L2	TITLE
2153282021	150±8	63 REF	MINIFIT JR DR P-S 2 CIRCUIT 150MM Au
2153282022	300±10	138 REF	MINIFIT JR DR P-S 2 CIRCUIT 300MM Au
2153282023	600±10	288 REF	MINIFIT JR DR P-S 2 CIRCUIT 600MM Au

NOTES

1. Connector view shown is from mating side.
2. Free ends must be stripped, twisted & tinned. The length of tinning is 5±1mm. Tinning dia must be 1.8mm Max.
3. Label text must be 2mm max. in height with Arial font.
4. Label must be wrapped in Flag type on a single cable.

MOLEX P/N
MOLEX
BATCH WK/YR
DETAIL A

REVISION			
DATE	REV	DESCRIPTION	CHANGER
2020/03/17	A	INITIAL RELEASE	ARAJU

FUNCTIONAL SYMBOLS FA = 0 FE = 0 FP = 0	THIS DRAWING CONTAINS INFORMATION THAT IS PROPRIETARY TO MOLEX ELECTRONIC TECHNOLOGIES, LLC AND SHOULD NOT BE USED WITHOUT WRITTEN PERMISSION		
	DIMENSION UNITS	SCALE	CURRENT REV DESC:
	mm	NTS	EC NO: 638379
	GENERAL TOLERANCES (UNLESS SPECIFIED)		DRWN: ARAJU 2020/03/17
ANGULAR TOL ± °		CHK'D: RDESAI01 2020/05/28	
4 PLACES ±		APPR: RDESAI01 2020/05/28	
3 PLACES ±		INITIAL REVISION:	
2 PLACES ±		DRWN: ARAJU 2020/03/17	
1 PLACE ±		APPR: RDESAI01 2020/05/28	
0 PLACES ±		DOCUMENT NUMBER	
DRAFT WHERE APPLICABLE MUST REMAIN WITHIN DIMENSIONS		THIRD ANGLE PROJECTION	
DRAWING		SERIES	
A4-SIZE		MATERIAL NUMBER	
215328		CUSTOMER	
SEE TABLE		SHEET NUMBER	
GENERAL MARKET		1 OF 1	

RELEASE STATUS	P1	RELEASE DATE	2020/05/28	07:59:31
----------------	----	--------------	------------	----------