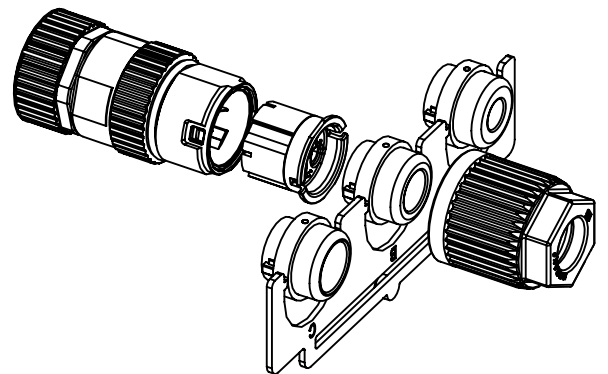


contact face acc. to IEC 61076-2-101

conductor cross section	0.14 - 0.34mm ² AWG26-AWG22
cable outside diameter	4.5 - 8.8mm



	All Dimensions in mm Original Size DIN A4	Scale	Free size tol.		Ref.	
		1:1			Sub.	
All rights reserved Department EL PD	HARTING Electronics GmbH D-32339 Espelkamp	Created by	Inspected by	Standardisation	Date	State
		DYCKC	EISFELD	KOHLER	2020-03-12	Final Release
Title HARAX M12-L shielded female D-coded					Doc-Key / ECM-Nr. 100196014/UGD/006/E 500000150689	
		Type	Number		Rev.	Page
		TB	21652812405		E	1/1