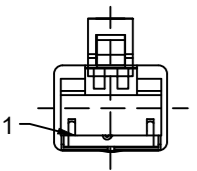


FRONT VIEW - MALE RJ45

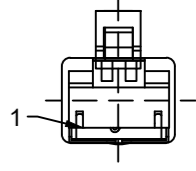


1-WHITE/ORANGE
2-ORANGE
3-WHITE/GREEN
6-GREEN

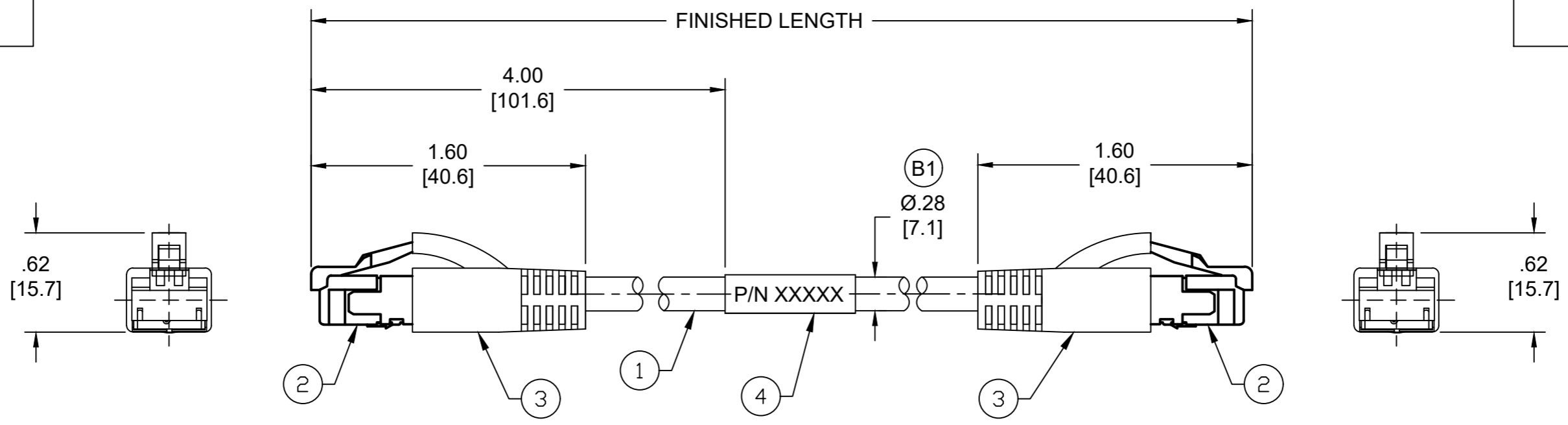
MATERIAL NUMBER	ENGINEERING NUMBER	FINISHED LENGTH
1201088186	E66A06006M005	0.5M [1FT 8 IN]
1201088179	E66A06006M400	40M[131FT 3 IN]
1201080448	E66A06006M800	80M[262FT 6 IN]

(B1)

FRONT VIEW - MALE RJ45



1-WHITE/ORANGE
2-ORANGE
3-WHITE/GREEN
4-GREEN



- NOTES:**
1. MATERIAL: AS NOTED
 2. FINISH: AS NOTED
 3. ELECTRICAL:
VOLTAGE: 30V AC/DC
CURRENT: 1.5A
 4. TEMP RATING: -20°TO +75°C (B1)
 5. UL LISTED FILE: E361772 (B1)
 6. ALL DIMENSIONS ARE FOR REFERENCE UNLESS TOLERANCED OR NOTED OTHERWISE


PART NUMBER LEGEND
E66A06006M005

FINISHED LENGTH
M005 - 0.5 METER
M010 - 1 METER
M200 - 20 METER

(B1) **CABLE LENGTH TOLERANCES**

<.3M [1FT]:	+19mm-0 [+ .75in-0]
.3 - .9M [1 - 3FT]:	+44.5mm-0 [+1.75in-0]
.9 - 1.8M [3 - 6FT]:	+55.6mm-0 [+2.19in-0]
1.8 - 3.7M [6 - 12FT]:	+88.9mm-0 [+3.50in-0]
3.7 - 7.3M [12 - 24FT]:	+165.1mm-0 [+6.50in-0]
7.3-14.6M [24 - 48FT]:	+317.5mm-0 [+12.50in-0]
14.6 - 30.5M [48-100FT]:	+622.3mm-0 [+24.50in-0]
OVER 30M [100FT]:	+2% OF FINISHED LENGTH

ITEM	DESCRIPTION	MATERIAL	FINISH
4	WRAP LABEL	VINYL	BLACK/WHITE
3	RJ45 BOOT, HOODED	PVC	BLACK
2	RJ45 PLUG	POLYCARBONATE	TRANSPARENT
1	CABLE, ETHERNET, 24 AWG	TPE JACKET	BLUE

FUNCTIONAL SYMBOLS $F=0$ $E=0$ $P=0$ DIVISIONAL SYMBOLS	THIS DRAWING CONTAINS INFORMATION THAT IS PROPRIETARY TO MOLEX ELECTRONIC TECHNOLOGIES, LLC AND SHOULD NOT BE USED WITHOUT WRITTEN PERMISSION		 ETHERNET MALE RJ45/RJ45 #24-2P BLUE TPE CAT5E			
	DIMENSION UNITS INCH/MM	SCALE NTS			CURRENT REV DESC: ADDED TEMP RATING, UL NUMBER, CABLE DIA & TOL CHART. MODIFIED MATERIAL NUMBER TABLE	
	GENERAL TOLERANCES (UNLESS SPECIFIED)		EC NO: 703079 DRWN: ABENJAMINLW 2021/10/29 CHK'D: RSTONE 2022/04/12 APPR: BWOODMAN 2022/04/18	PRODUCT CUSTOMER DRAWING		
	4 PLACES ±--- ±--- 3 PLACES ±--- ±--- 2 PLACES ±--- ±--- 1 PLACE ±--- ±--- 0 PLACES ±--- ±---	mm INCH ANGULAR TOL ± --- °	INITIAL REVISION: DRWN: BARDEN 2013/02/15 APPR: JFMURPHY 2013/04/18	DOCUMENT NUMBER SD-120108-054 DOC TYPE/DOC PART/REVISION PSD 001 B1		
DRAFT WHERE APPLICABLE MUST REMAIN WITHIN DIMENSIONS	THIRD ANGLE PROJECTION	DRAWING B-SIZE	SERIES 120108	MATERIAL NUMBER SEE CHART	CUSTOMER GENERAL MARKET	SHEET NUMBER 1 OF 1