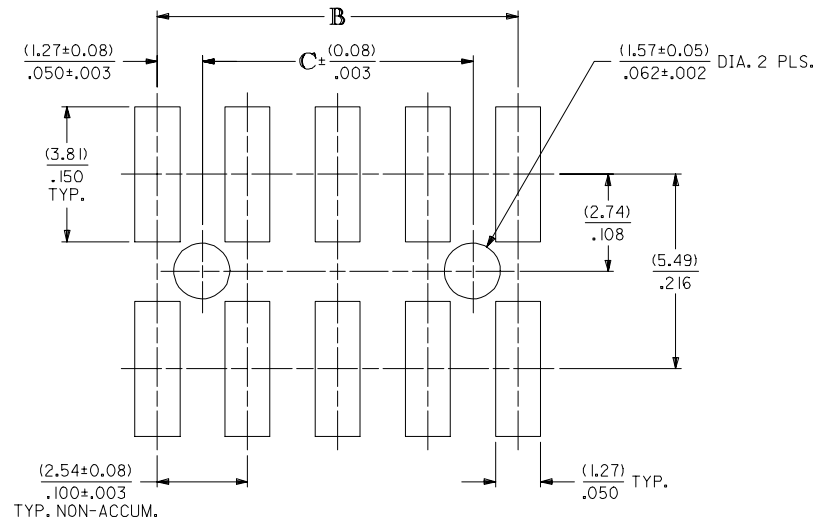
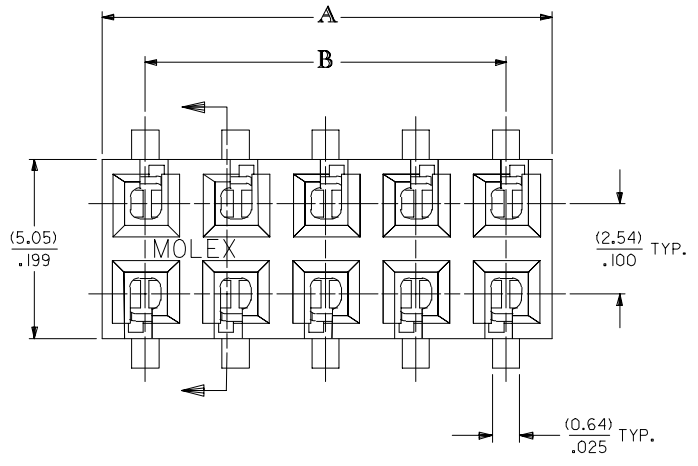


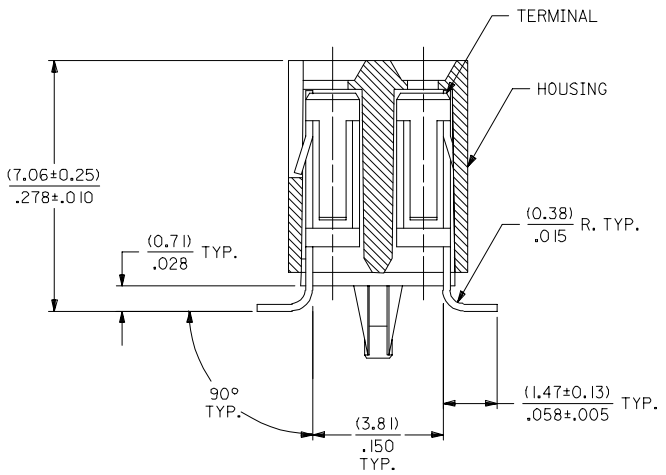
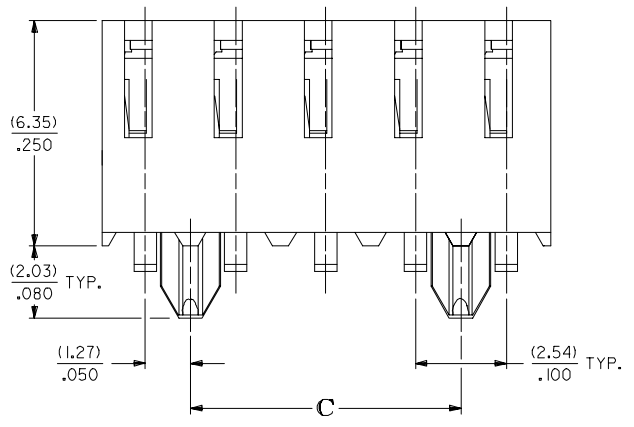
13 12 11 10 9 8 7 6 5 4 3 2 1

J
I
H
G
F
E
D
C
B
A

J
I
H
G
F
E
D
C
B
A



RECOMMENDED PC BOARD LAYOUT



4	G
3	F
2	F
1	G
SHT	REV

NOTES:

1. HOUSING: GLASS-FILLED PCT. UL 94V-0. COLOR: BLACK
2. PIN: PHOSPHOR BRONZE, (0.20)/.008 THICK
3. REFER TO MOLEX PRODUCT SPECIFICATION PS-70181.
4. DIMENSIONS WITHOUT TOLERANCE ARE SHOWN FOR REFERENCE ONLY.
5. 10-CIRCUIT PART SHOWN FOR ILLUSTRATION PURPOSES ONLY.

TOOL 71412-2084 EC NO: UCP2006-0627 DRWN:MS/BARRA 2005/10/21 CHKD:BBARKER 2005/10/21 APPR:SMILLER 2005/10/24	QUALITY SYMBOLS ▽=0 ▽=0	GENERAL TOLERANCES (UNLESS SPECIFIED)		DIMENSION STYLE MM/IN		SCALE 10:1	DESIGN UNITS INCH	THIRD ANGLE PROJECTION
		4 PLACES ± --- ± --- 3 PLACES ± --- ± --- 2 PLACES ± --- ± --- 1 PLACE ± --- ± ---	mm INCH	DRAWN BY SMR	DATE 94/12/08	TITLE SALES ASSY, DUAL ROW VERTICAL MOUNT W/PEGS LOW PROFILE SMT		
		ANGULAR ±1/2°		CHECKED BY SMR	DATE 94/12/08	MOLEX MOLEX INCORPORATED		
		DRAFT WHERE APPLICABLE MUST REMAIN WITHIN DIMENSIONS		APPROVED BY DATE	MATERIAL NO. SEE TABLE	DOCUMENT NO. SDA-71412-0001-5000	SHEET NO. 1 OF 4	

12 11 10 9 8 7 6 5 4 3 2 1

ASSEMBLY WITH PEGS

J	NUMBER OF CIRCUITS		124 PLATING		X81 PLATING		X21 PLATING		DIM. "A"		DIM. "B"		DIM. "C"		J
	PER ROW	TOTAL	ASSEMBLY ITEM NUMBER	PACKAGING PER PK-70873-	ASSEMBLY ITEM NUMBER	PACKAGING PER PK-70873-	ASSEMBLY ITEM NUMBER	PACKAGING PER PK-70873-	INCH	MM	INCH	MM	INCH	MM	
I	4	8	71412-0001	0304	71412-0038	0304	71412-0075	0304	.399	10.13	.300	7.62	.200	5.08	
I	5	10	71412-0002	0304	71412-0039	0304	71412-0076	0304	.499	12.67	.400	10.16	.300	7.62	
I	6	12	71412-0003	0304	71412-0040	0304	71412-0077	0304	.599	15.21	.500	12.70	.400	10.16	
I	7	14	X 71412-0004	0304	71412-0041	0304	71412-0078	0304	.699	17.75	.600	15.24	.500	12.70	
I	8	16	71412-0005	0304	71412-0042	0304	71412-0079	0304	.799	20.29	.700	17.78	.600	15.24	
I	9	18	71412-0006	0304	71412-0043	0304	71412-0080	0304	.899	22.83	.800	20.32	.700	17.78	
I	10	20	71412-0007	0304	71412-0044	0304	71412-0081	0304	.999	25.37	.900	22.86	.800	20.32	
H	11	22	X 71412-0008	0304	X 71412-0045	0304	X 71412-0082	0304	1.099	27.91	1.000	25.40	.900	22.86	
H	12	24	X 71412-0009	0304	X 71412-0046	0304	X 71412-0083	0304	1.199	30.45	1.100	27.94	1.000	25.40	
H	13	26	71412-0010	0304	71412-0047	0304	71412-0084	0304	1.299	32.99	1.200	30.48	1.100	27.94	
H	14	28	X 71412-0011	0304	X 71412-0048	0304	X 71412-0085	0304	1.399	35.53	1.300	33.02	1.200	30.48	
H	15	30	X 71412-0012	0304	X 71412-0049	0304	X 71412-0086	0304	1.499	38.07	1.400	35.56	1.300	33.02	
H	16	32	71412-0013	0304	71412-0050	0304	71412-0087	0304	1.599	40.61	1.500	38.10	1.400	35.56	
H	17	34	71412-0014	0304	71412-0051	0304	71412-0088	0304	1.699	43.15	1.600	40.64	1.500	38.10	
G	18	36	X 71412-0015	0304	X 71412-0052	0304	X 71412-0089	0304	1.799	45.69	1.700	43.18	1.600	40.64	
G	19	38	X 71412-0016	0304	X 71412-0053	0304	X 71412-0090	0304	1.899	48.23	1.800	45.72	1.700	43.18	
G	20	40	71412-0017	0304	71412-0054	0304	71412-0091	0304	1.999	50.77	1.900	48.26	1.800	45.72	
G	21	42	X 71412-0018	0304	X 71412-0055	0304	X 71412-0092	0304	2.099	53.31	2.000	50.80	1.900	48.26	
G	22	44	X 71412-0019	0304	X 71412-0056	0304	X 71412-0093	0304	2.199	55.85	2.100	53.34	2.000	50.80	
F	23	46	X 71412-0020	0304	X 71412-0057	0304	X 71412-0094	0304	2.299	58.39	2.200	55.88	2.100	53.34	
F	24	48	X 71412-0021	0304	X 71412-0058	0304	X 71412-0095	0304	2.399	60.93	2.300	58.42	2.200	55.88	
F	25	50	X 71412-0022	0304	X 71412-0059	0304	X 71412-0096	0304	2.499	63.47	2.400	60.96	2.300	58.42	
F	26	52	X 71412-0023	0304	X 71412-0060	0304	X 71412-0097	0304	2.599	66.01	2.500	63.50	2.400	60.96	
F	27	54	X 71412-0024	0304	X 71412-0061	0304	X 71412-0098	0304	2.699	68.55	2.600	66.04	2.500	63.50	
F	28	56	X 71412-0025	0304	X 71412-0062	0304	X 71412-0099	0304	2.799	71.09	2.700	68.58	2.600	66.04	
F	29	58	X 71412-0026	0304	X 71412-0063	0304	X 71412-0100	0304	2.899	73.63	2.800	71.12	2.700	68.58	
E	30	60	X 71412-0027	0304	X 71412-0064	0304	X 71412-0101	0304	2.999	76.17	2.900	73.66	2.800	71.12	
E	31	62	X 71412-0028	0304	X 71412-0065	0304	X 71412-0102	0304	3.099	78.71	3.000	76.20	2.900	73.66	
E	32	64	X 71412-0029	0304	X 71412-0066	0304	X 71412-0103	0304	3.199	81.25	3.100	78.74	3.000	76.20	
E	33	66	X 71412-0030	0304	X 71412-0067	0304	X 71412-0104	0304	3.299	83.79	3.200	81.28	3.100	78.74	
E	34	68	X 71412-0031	0304	X 71412-0068	0304	X 71412-0105	0304	3.399	86.33	3.300	83.82	3.200	81.28	
E	35	70	X 71412-0032	0304	X 71412-0069	0304	X 71412-0106	0304	3.499	88.87	3.400	86.36	3.300	83.82	
E	36	72	X 71412-0033	0304	X 71412-0070	0304	X 71412-0107	0304	3.599	91.41	3.500	88.90	3.400	86.36	
D	37	74	X 71412-0034	0304	X 71412-0071	0304	X 71412-0108	0304	3.699	93.95	3.600	91.44	3.500	88.90	
D	38	76	X 71412-0035	0304	X 71412-0072	0304	X 71412-0109	0304	3.799	96.49	3.700	93.98	3.600	91.44	
D	39	78	X 71412-0036	0304	X 71412-0073	0304	X 71412-0110	0304	3.899	99.03	3.800	96.52	3.700	93.98	
D	40	80	71412-0037	0304	71412-0074	0304	71412-0111	0304	3.999	101.57	3.900	99.06	3.800	96.52	

X UNDER 'ITEM NUMBER' COLUMN DENOTES TOOLING NOT AVAILABLE

PLATING PER ES-88:

124 - 3.81 MICROMETER/(150 MICROINCH) MINIMUM TIN PLATE IN SELECT AREA, OVER 1.27 MICROMETER/(50 MICROINCH) MINIMUM NICKEL UNDERPLATE.

X21 - .75 MICROMETER/(30 MICROINCH) MINIMUM GOLD PLATE IN SELECT AREA, 1.91 MICROMETER/(75 MICROINCH) MINIMUM TIN PLATE IN SELECT AREA, OVER 1.27 MICROMETER/(50 MICROINCH) MINIMUM NICKEL UNDERPLATE.

X81 - .38 MICROMETER/(15 MICROINCH) MINIMUM GOLD PLATE IN SELECT AREA, 1.91 MICROMETER/(75 MICROINCH) MINIMUM TIN PLATE IN SELECT AREA, OVER 1.27 MICROMETER/(50 MICROINCH) MINIMUM NICKEL UNDERPLATE.

TOOL -0041-0078 EC NO. UCP2005-2802 DRWN:MS/BARRA 2005/07/11 CHKD:DMORGAN 2005/07/12 APPR:SMILLER 2005/07/19 REV:	QUALITY SYMBOLS ▽=0 ▽=0	GENERAL TOLERANCES (UNLESS SPECIFIED) mm INCH		DIMENSION STYLE MM/IN		SCALE ---	DESIGN UNITS INCH	THIRD ANGLE PROJECTION	
		4 PLACES ± --- ± --- 3 PLACES ± --- ± --- 2 PLACES ± --- ± --- 1 PLACE ± --- ± --- ANGULAR ±1/2°	DRAWN BY SMR CHECKED BY SMR APPROVED BY	DATE 94/12/08 DATE 94/12/08 DATE	TITLE SALES ASSEMBLY, DUAL ROW VERTICAL MOUNT, W/PEGS LOW PROFILE SMT				
DRAFT WHERE APPLICABLE MUST REMAIN WITHIN DIMENSIONS		MATERIAL NO. SEE TABLE		DOCUMENT NO. SDA-71412-0001-5000		SHEET NO. 3 OF 4		MOLEX INCORPORATED	
THIS DRAWING CONTAINS INFORMATION THAT IS PROPRIETARY TO MOLEX INCORPORATED AND SHOULD NOT BE USED WITHOUT WRITTEN PERMISSION									