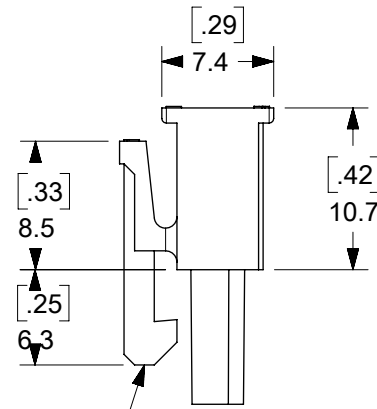
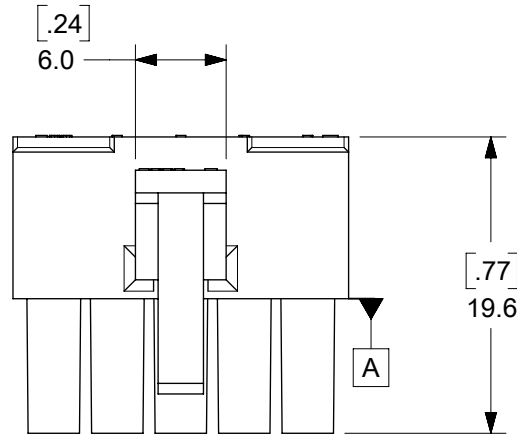
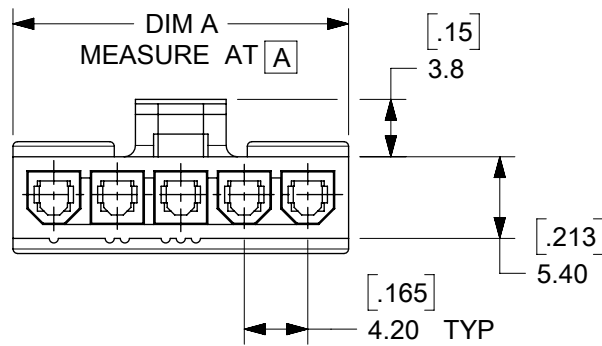


POSITIVE LATCH
SCALE 2:1

PASSIVE LATCH
SCALE 2:1



POSITIVE LATCH

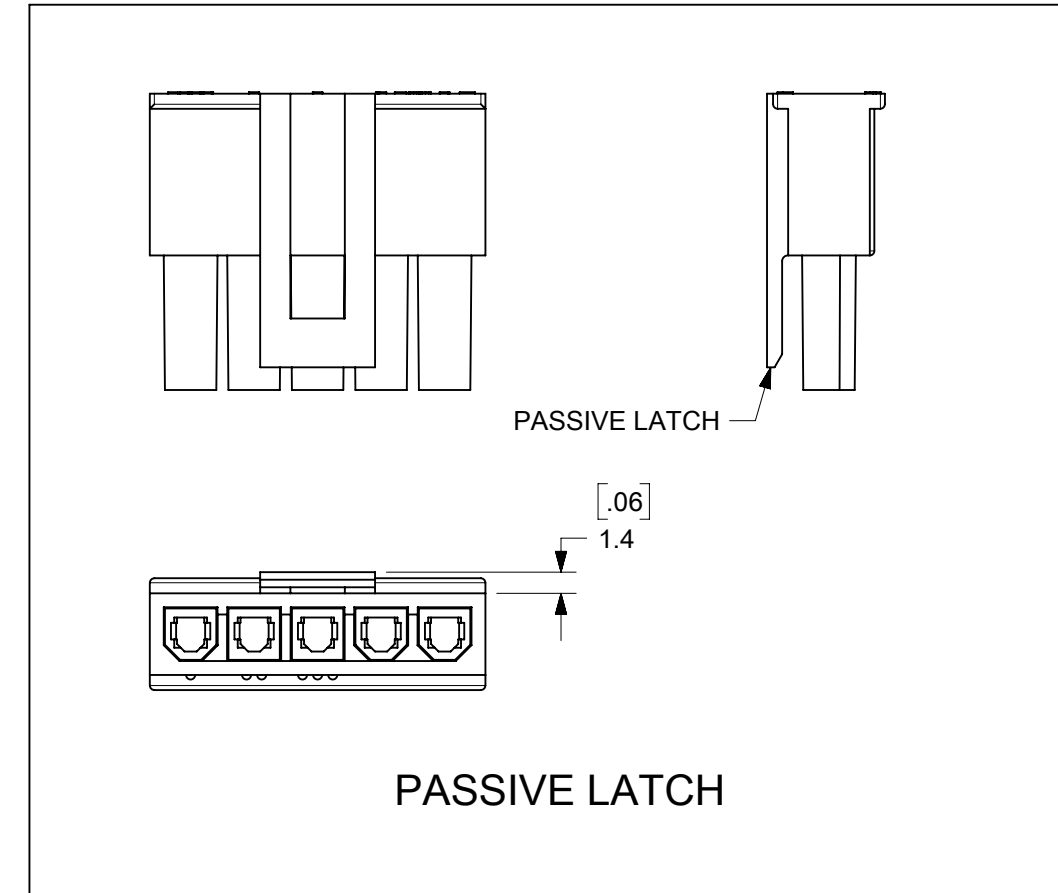


LEGEND:

- 46994- ** * *
- CIRCUIT SIZE _____
- MATERIAL _____
SEE NOTE 1
- CONFIGURATION _____
2= SINGLE ROW, POSITIVE LATCH
4= SINGLE ROW, PASSIVE LATCH

- NOTES:
- 1) MATERIAL:
0=NYLON, UL94 V-2, COLOR: NATURAL,(BEIGE); IEC 60335-1, 5TH EDITION GLOW WIRE CAPABLE.
1=NYLON, UL94 V-2, COLOR:BLACK; IEC 60335-1, 5TH EDITION GLOW WIRE CAPABLE.
 - 2) FINISH: NOT APPLICABLE.
 - 3) PRODUCT SPECIFICATION: PS-5556-001.
 - 4) PACKING: PK-5557-002.
 - 5) PART MATES WITH MOLEX PLUG #172646 AND HEADERS #172647 AND #172648.
 - 6) PART TO BE USED WITH MOLEX FEMALE TERMINAL #5556.
 - 7) PART IS NOT DESIGNED FOR CURRENT SHARING.
 - 8) CONNECTORS ARE NOT TO BE MATED OR UNMATED WHILE CIRCUITS ARE LIVE.
 - 9) WIRES ARE TO BE DRESSED IN SUCH A MANNER TO ALLOW THE TERMINALS TO FLOAT FREELY IN THE POCKET.
 - 10) PART CONFORMS TO CLASS "B" REQUIREMENTS OF COSMETIC SPECIFICATION PS-45499-002 WITH THE EXCEPTION OF DISCOLORATION, FLASH AND SINK MEET CLASS "C" REQUIREMENTS.
 - 11) TEXT ON PART IS FOR REFERENCE ONLY. TEXT AND TEXT LOCATION MAY VARY DEPENDING ON PART NUMBER AND/OR TOOL.
 - 12) BUBBLE IS ACCEPTABLE ON LATCH AREA.

MATERIAL NUMBER	MATERIAL/COLOR	TOOL STATUS	CKT SIZE	LATCH STYLE	DIM A
46994-0212	V-2/BLACK	TOOLED	2	POSITIVE	.378(9.60)
46994-0412	V-2/BLACK	TOOLED	4	POSITIVE	.709(18.00)
46994-0512	V-2/BLACK	TOOLED	5	POSITIVE	.874(22.20)
46994-0612	V-2/BLACK	TOOLED	6	POSITIVE	1.039(26.40)
46994-0712	V-2/BLACK	NOT TOOLED	7	POSITIVE	1.205(30.60)
46994-0514	V-2/BLACK	NOT TOOLED	5	PASSIVE	.874(22.20)
46994-0202	V-2/NATURAL(BEIGE)	TOOLED	2	POSITIVE	.378(9.60)
46994-0402	V-2/NATURAL(BEIGE)	TOOLED	4	POSITIVE	.709(18.00)
46994-0502	V-2/NATURAL(BEIGE)	TOOLED	5	POSITIVE	.874(22.20)
46994-0602	V-2/NATURAL(BEIGE)	TOOLED	6	POSITIVE	1.039(26.40)



PASSIVE LATCH

THIS DRAWING CONTAINS INFORMATION THAT IS PROPRIETARY TO MOLEX ELECTRONIC TECHNOLOGIES, LLC AND SHOULD NOT BE USED WITHOUT WRITTEN PERMISSION											
DIMENSION UNITS mm		SCALE NTS		CURRENT REV DESC:							
GENERAL TOLERANCES (UNLESS SPECIFIED)		ANGULAR TOL ± 0.5°		EC NO: 719028							
4 PLACES ±		3 PLACES ±		DRWN: JERRYW8 2022/08/23				MINI-FIT JR. RECEPTACLE SINGLE ROW GLOW WIRE			
2 PLACES ± 0.25		1 PLACE ± 0.38		CHKD: XQZHANG 2022/09/01							
0 PLACES ±		DRAFT WHERE APPLICABLE MUST REMAIN WITHIN DIMENSIONS		APPR: XQZHANG 2022/09/01				PRODUCT CUSTOMER DRAWING			
THIRD ANGLE PROJECTION		DRAWING		INITIAL REVISION:				DOCUMENT NUMBER		DOC TYPE DOC PART REVISION	
B-SIZE		46994		DRWN: NNGUYEN 2013/04/15				SD-46994-0000		PSD 001 A4	
SERIES		MATERIAL NUMBER		APPR: FSMITH 2014/05/16				CUSTOMER		SHEET NUMBER	
SEE CHART		GENERAL MARKET		1 OF 1							