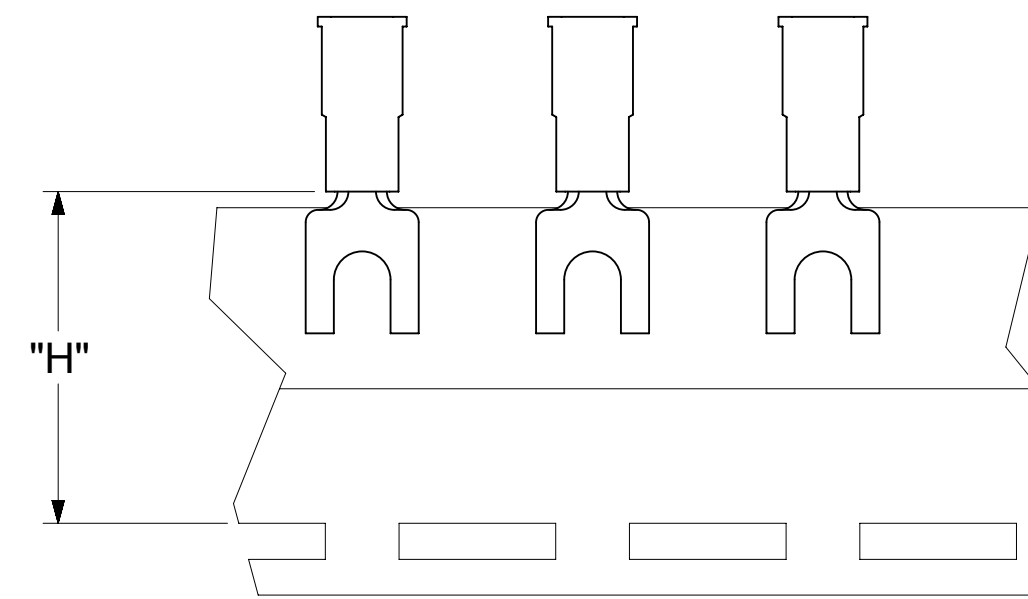
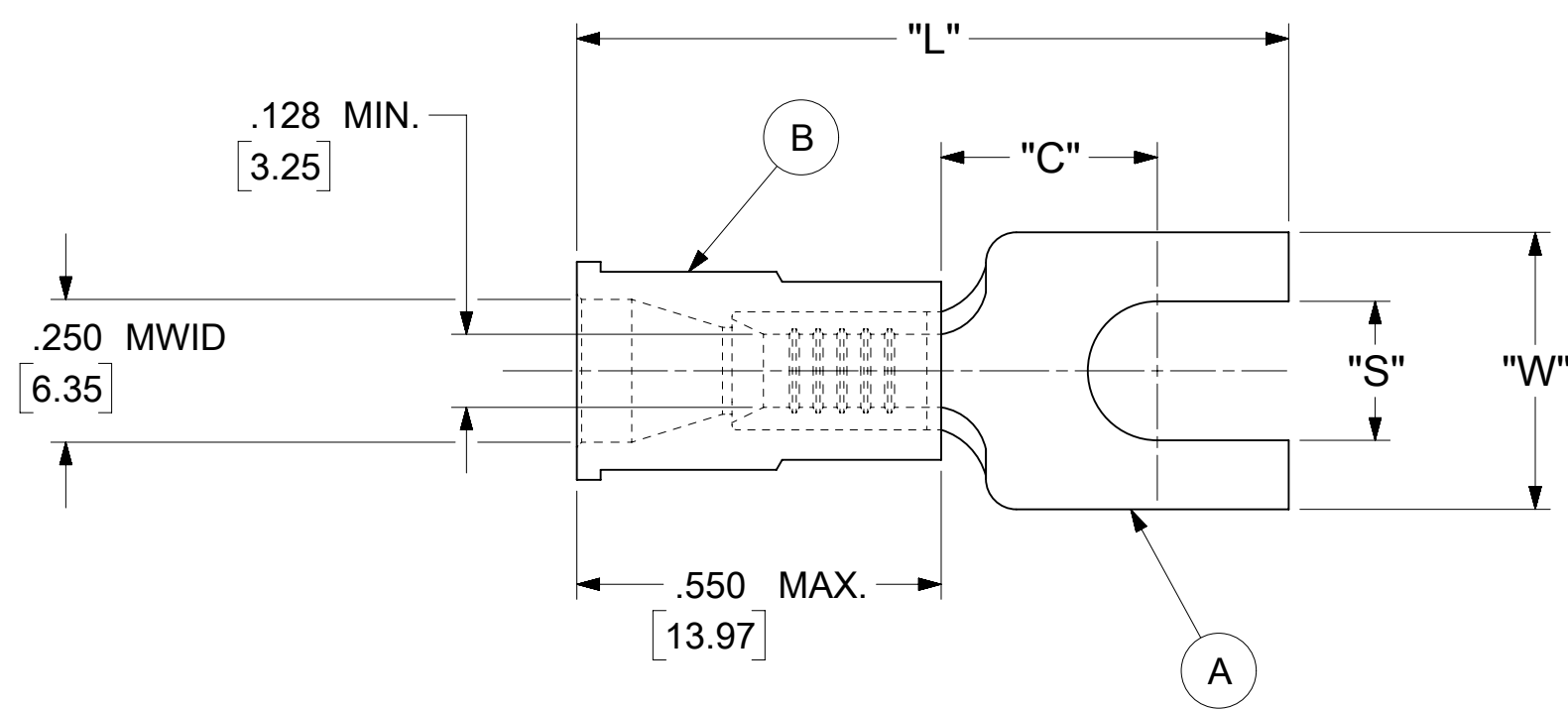


LOOSE PIECE		TAPE MOUNTED		SPECIFICATIONS						
MATERIAL NUMBER	ENGINEERING NUMBER	MATERIAL NUMBER	ENGINEERING NUMBER	STUD SIZE	"S" ±.005 [0.13]	"W" ±.010 [0.25]	"C" MIN.	"L" MAX.	"H"	STOCK ±.001[0.25] THICKNESS
191310006	C-2105-06X	191310005	C-2105-06XT	6	.146 [3.71]	.320 [8.13]	.305 [7.75]	1.075 [27.31]	.980 [24.89]	.040 [1.02]
191310004	C-2105-08X	191310003	C-2105-08XT	8	.173 [4.39]					
191310002	C-2105-10X	191310059	C-2105-10XT	10	.198 [5.03]					



PARTS ON TAPE

NOTES:

- MATERIAL:
 - (A). SPADE TONGUE TERMINAL: COPPER
PLATING: ELECTRO-TIN (.0003 MIN.)
 - (B). INSULATION: MOLDED PVC (YELLOW)
- MWID: MAXIMUM WIRE INSULATION DIAMETER
4.0 -6.0 MM²
- WIRE SIZE: 12 -10 AWG
- ALL DIMENSIONS IN INCHES/[MM].
- PARTS ARE ROHS COMPLIANT.
- DIMS. SHOWN ARE FOR REFERENCE ONLY.

SYMBOLS	THIS DRAWING CONTAINS INFORMATION THAT IS PROPRIETARY TO MOLEX ELECTRONIC TECHNOLOGIES, LLC AND SHOULD NOT BE USED WITHOUT WRITTEN PERMISSION												
	DIMENSION UNITS	SCALE		CURRENT REV DESC: MIGRATION TO ECTR/NX									
∇ = 0	INCH/MM	NTS		EC NO: 620815								DOCUMENT NUMBER	
∇ = 0	GENERAL TOLERANCES (UNLESS SPECIFIED)			DRWN: ABENJAMINLW 2019/07/01						DOC TYPE			
∇ = 0		MM	INCH	CHK'D: GROJAS01 2019/07/18						DOC PART			
S = 0	4 PLACES	±	---	±	---	APPR: JMACNEIL 2019/08/05						REVISION	
∇ = 0	3 PLACES	±	---	±	.005	INITIAL REVISION:						191310010	
∇ = 0	2 PLACES	±	0.13	±	.01	DRWN: JJ 1984/10/31						PSD 000 A	
∇ = 0	1 PLACE	±	0.25	±	---	APPR: JMACNEIL 2019/08/05						GENERAL MARKET	
∇ = 0	0 PLACES	±	---	±	---	DRAFT WHERE APPLICABLE MUST REMAIN WITHIN DIMENSIONS						SHEET NUMBER	
∇ = 0		ANGULAR TOL ± 0.5°		THIRD ANGLE PROJECTION		DRAWING		SERIES		SEE TABLE		1 OF 1	
∇ = 0				C-SIZE		19131							

FILE NO.

C-CD-203-01

REV A ADDED 8X, 10X TO CHART UNDER PART# C-2105, RCZ0688 1/31/88

NOTES:

1.000

① MAT'L: COPPER (STOCK THK. 040)

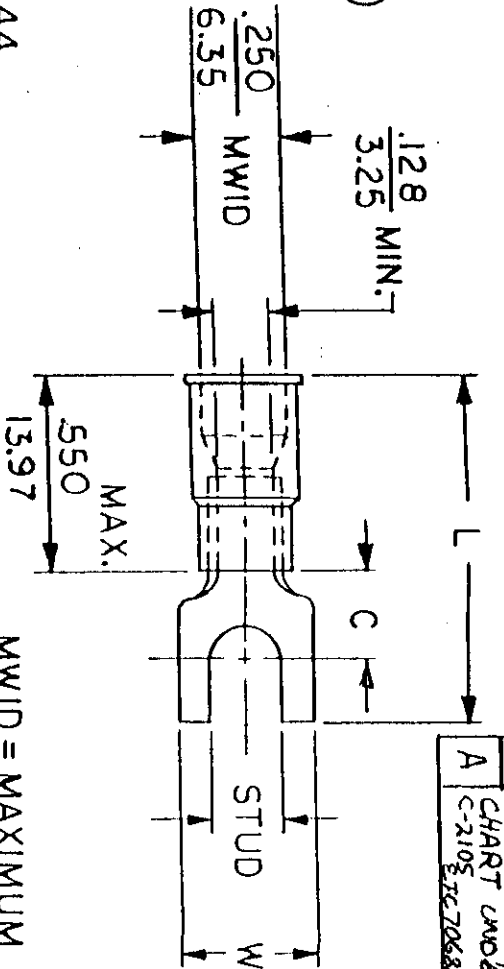
PLATING: ELECTRO-TIN (.0003 MIN.)

② INSULATION: MOLDED PVC (YELLOW)

STUD SIZES: (.0005)

- 02 = .094
- 04 = .119
- 06 = .146
- 08 = .173
- 10 = .198
- 14 = .265
- 56 = .328
- 38 = .390

"UL" LISTING #E32244
 "CSA" LISTING #18689



MWID = MAXIMUM WIRE INSULATION DIAMETER

WIRE SIZE: 12-10AWG
 40-60MM²

ALL DIMENSIONS = INCHES / MM

PART NUMBER	"W" ±.010	"C" MIN.	"L" MAX.	AVAILABLE STUD SIZES	DIMENSIONAL TOLERANCES UNLESS OTHERWISE SPECIFIED	
					FRAC.	DEC.
C-2102-	415 / 10.54	305 / 7.75	1,075 / 27.31	08X	±	±
C-2105-	320 / 8.13	305 / 7.75	1,075 / 27.31	06X, 08X, 10X	±	±

SCALE: NTS

DATE: 10-31-84

TITLE: SPADE TONGUE TERMINAL INSULKRIMP 200-SERIES

DRWN. BY: JJ

CHKD. BY: GA

APPRD. BY:

DWG. NO. A

CUSTOMER DWG.

