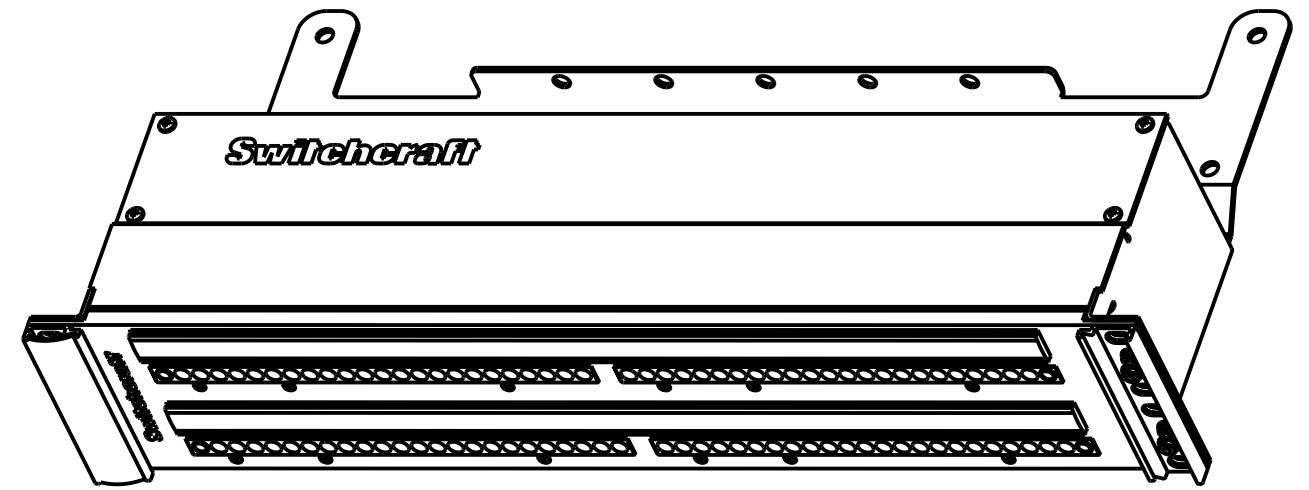
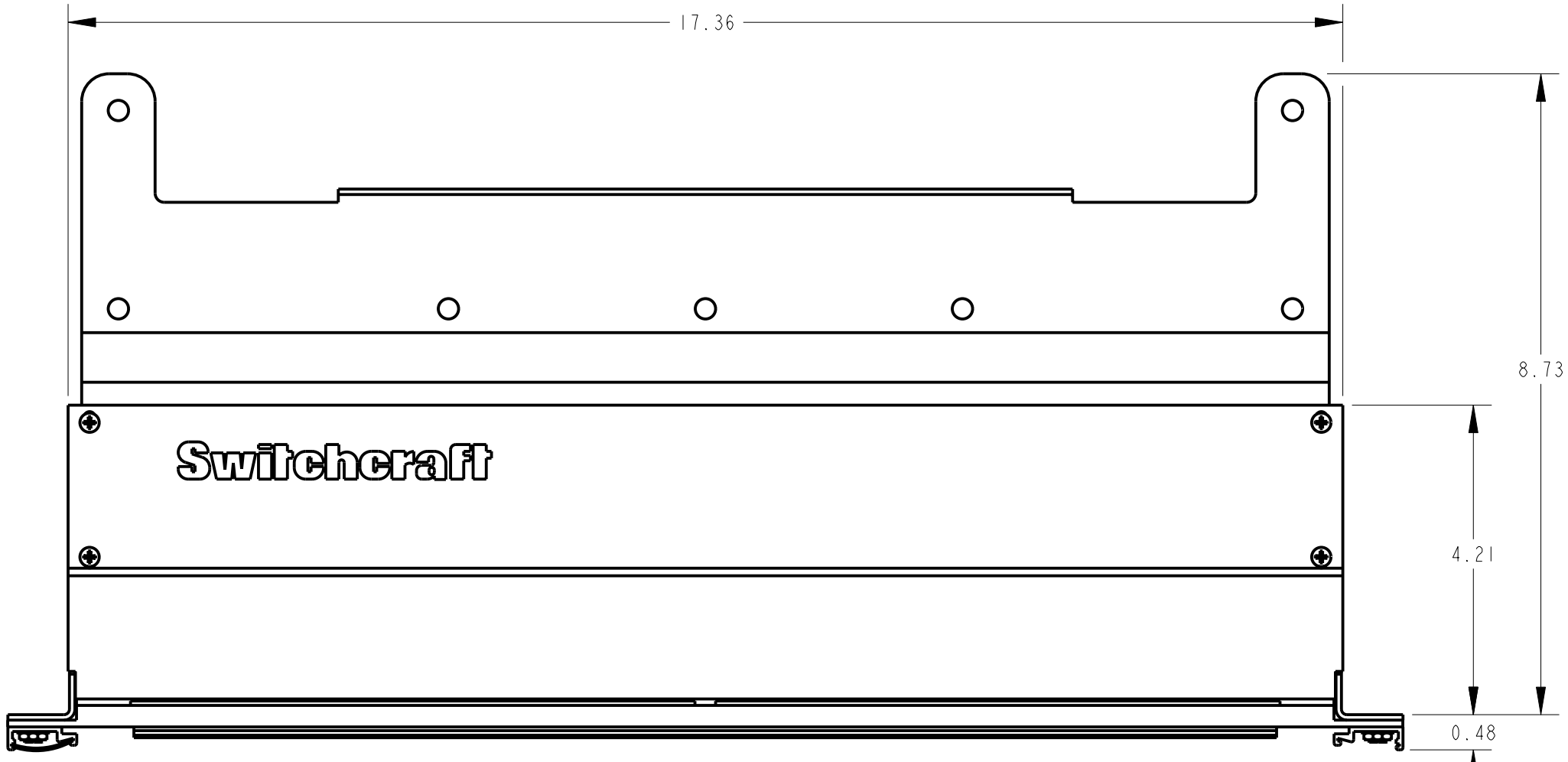


TTP96K3FN
SCHEMATIC

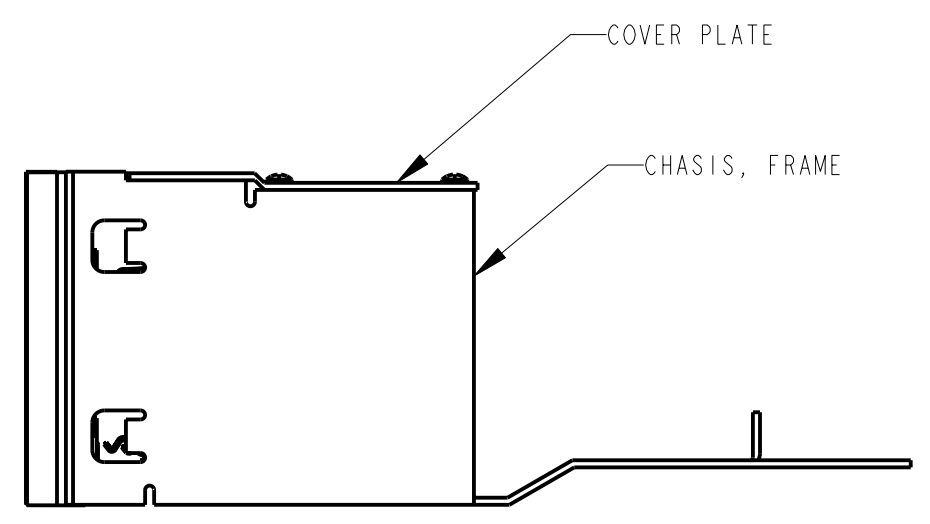
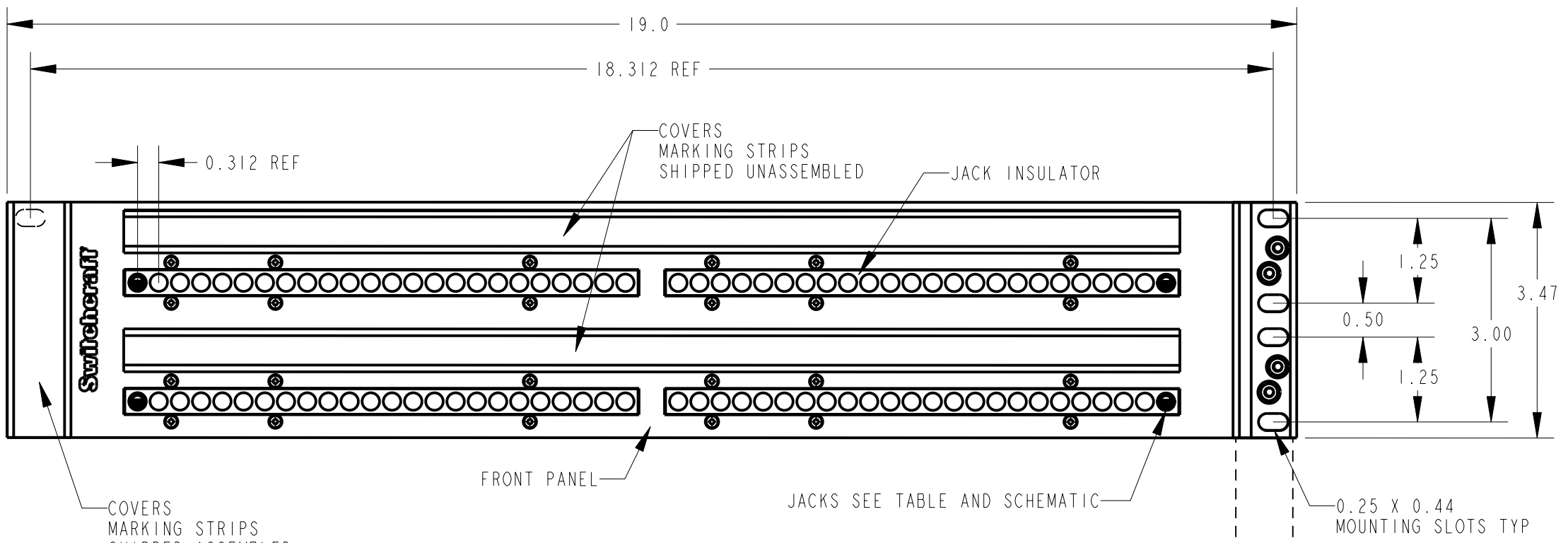
TTP96K3HN
SCHEMATIC

TTP96K3NN
SCHEMATIC



SCALE 1:3

PART NUMBER	TYPE	JACK PART NUMBER
TTP96K3FN	FULL NORMAL	15J1492 (96 TOP & BOTTOM ROW)
TTP96K3HN	HALF NORMAL	15J1491 (48 TOP ROW) 15J1492 (48 BOTTOM ROW)
TTP96K3NN	NON-NORMAL	15J1491 (96 TOP & BOTTOM ROW)



- NOTES:
- MATERIALS:
FRONT PANEL - ALUMINUM, BLACK ANODIZE
CHASSIS, FRAME - STEEL, BLACK EPOXY PAINT
COVER PLATE - STEEL, BLACK EPOXY PAINT
JACK INSULATOR - THERMOPLASTIC, BLACK
JACK BUSHING - COPPER ALLOY, NICKEL PLATED
JACK FRAME - STEEL, NICKEL PLATED
 - CABLE TIES NOT SHOWN.
 - MOUNTING SCREWS SHIPPED UNASSEMBLED.

COVERS MARKING STRIPS (THESE PARTS REMOVED FOR CLARITY)

REV	ECO NUMBER	DATE	BY	APVD
C	24497	1/29/13	TO	TJK
REVISIONS				

★ STAR SYMBOL DENOTES CRITICAL DIMENSION

UNLESS OTHERWISE SPECIFIED

- ALL DIMENSIONS IN INCHES
- TWO PLACE DECIMALS ±0.01
- THREE PLACE DECIMALS ±0.005
- ANGLES ±1°
- ALL DIA. CONCENTRIC WITHIN 0.005 T.I.R.
- FEATURES ON THE SAME CENTERLINE MUST BE ALIGNED WITHIN ±0.002
- REMOVE ALL BURRS

DO NOT SCALE DRAWING

THIS DRAWING DESCRIBES A DESIGN CONSIDERED PROPRIETARY IN NATURE, DEVELOPED AND MANUFACTURED BY SWITCHCRAFT INC. AND IS RELEASED ON A CONFIDENTIAL BASIS FOR IDENTIFICATION PURPOSES ONLY.				
SIZE	WIDTH	MULT	LBS/M	TEMPER
FINISH SPEC No.		MATERIAL SPEC No.		
FIRST USED ON		SCALE 1:2		
DATE DRAWN	BY	CHKD	APVD	Switchcraft
27-Oct-97	OM	DK 10-27-97	DK 10-27-97	
NAME		PART No.		REV
2RU, UNWIRED P-KIT ASSEMBLY		TTP96K3__SERIES		C

CUSTOMER DRAWING