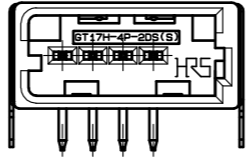
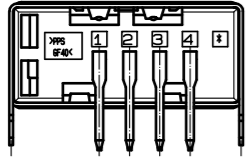
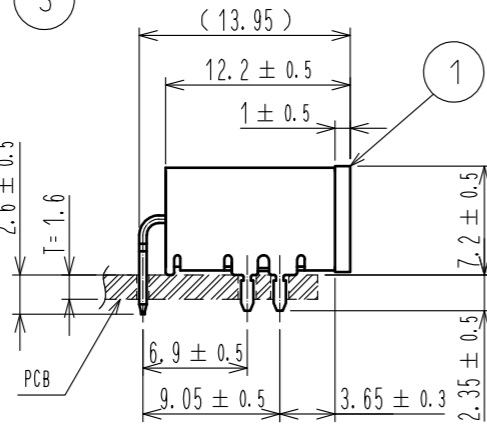
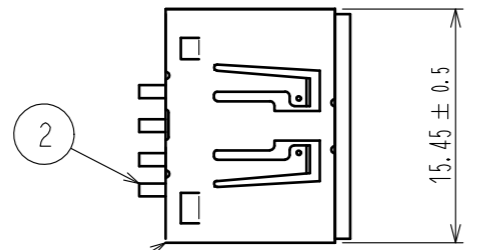
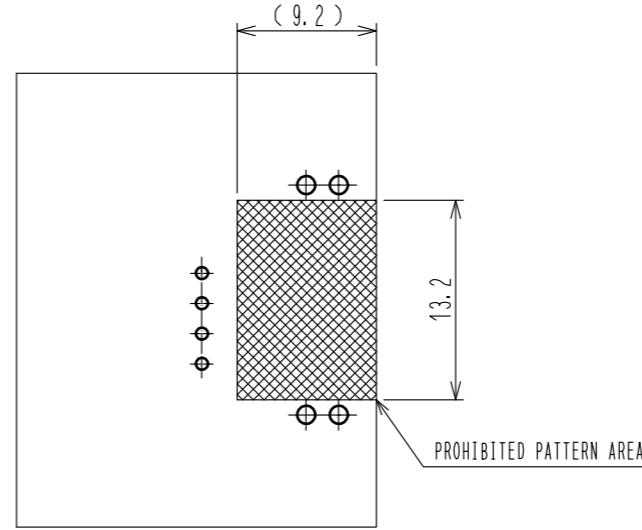


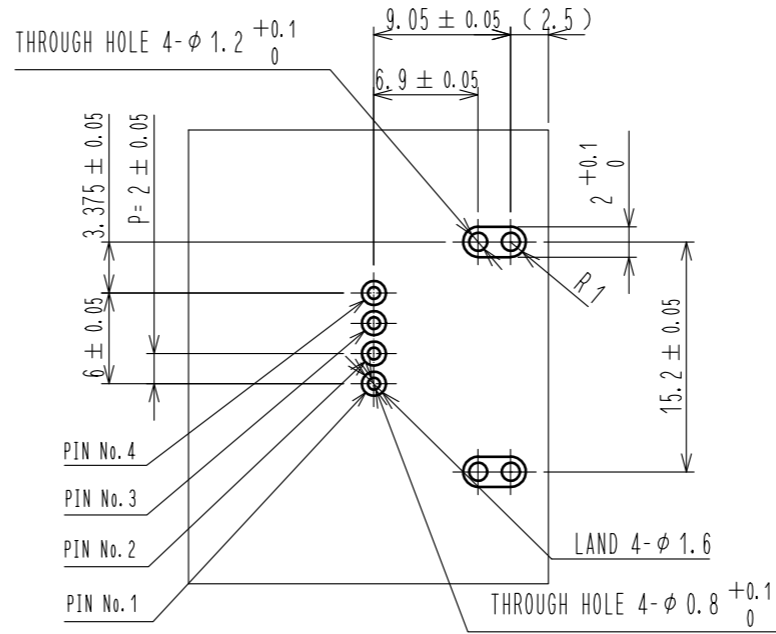
ELV, RoHS COMPLIANT



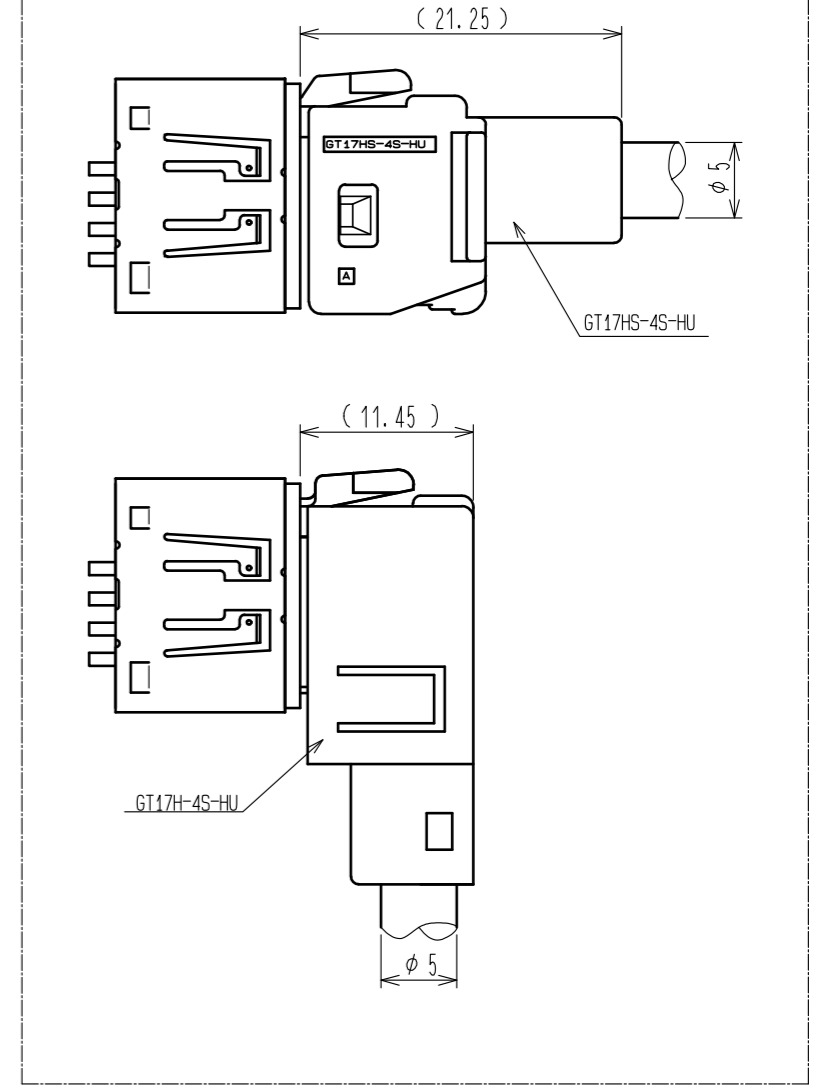
RECOMMENDED PCB PATTERN (CONNECTOR SIDE)



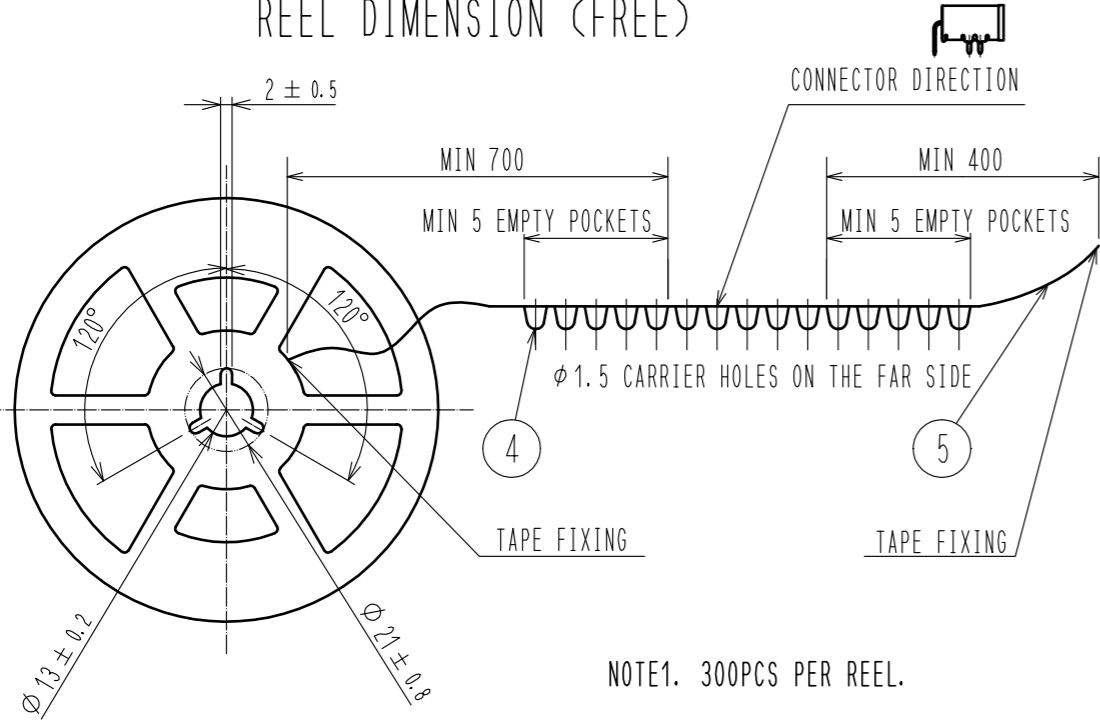
RECOMMENDED PCB PATTERN (SOLDERING SIDE)



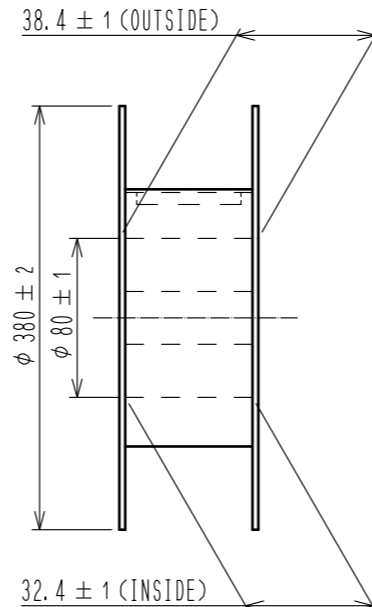
MATED CONNECTORS



REEL DIMENSION (FREE)



NOTE1. 300PCS PER REEL.



- NOTE1. APPLICABLE CONNECTOR : GT17H-4S-HU
GT17HS-4S-HU
- 2. APPLICABLE PC BOARD : T=1.6mm

3	COPPER ALLOY	TIN PLATING	5	PET	COVER TAPE
2	BRASS	TIN PLATING (FULL PLATED)	4	PS	EMBOSSED CARRIER TAPE
1	PPS	LIGHT GRAY			
NO.	MATERIAL	FINISH . REMARKS	NO.	MATERIAL	FINISH . REMARKS
UNITS mm		SCALE 2 : 1	COUNT	DESCRIPTION OF REVISIONS	
DESIGNED		CHECKED		DATE	
APPROVED : AR. SHIRAI 18.03.30			DRAWING NO. EDC-166937-33-00		
CHECKED : HS. OZAWA 18.03.30			PART NO. GT17H-4P-2DS(33)		
DESIGNED : YT. TAKANASHI 18.03.30			CODE NO. CL767-0166-9-33		
DRAWN : YT. TAKANASHI 18.03.30			1/1		