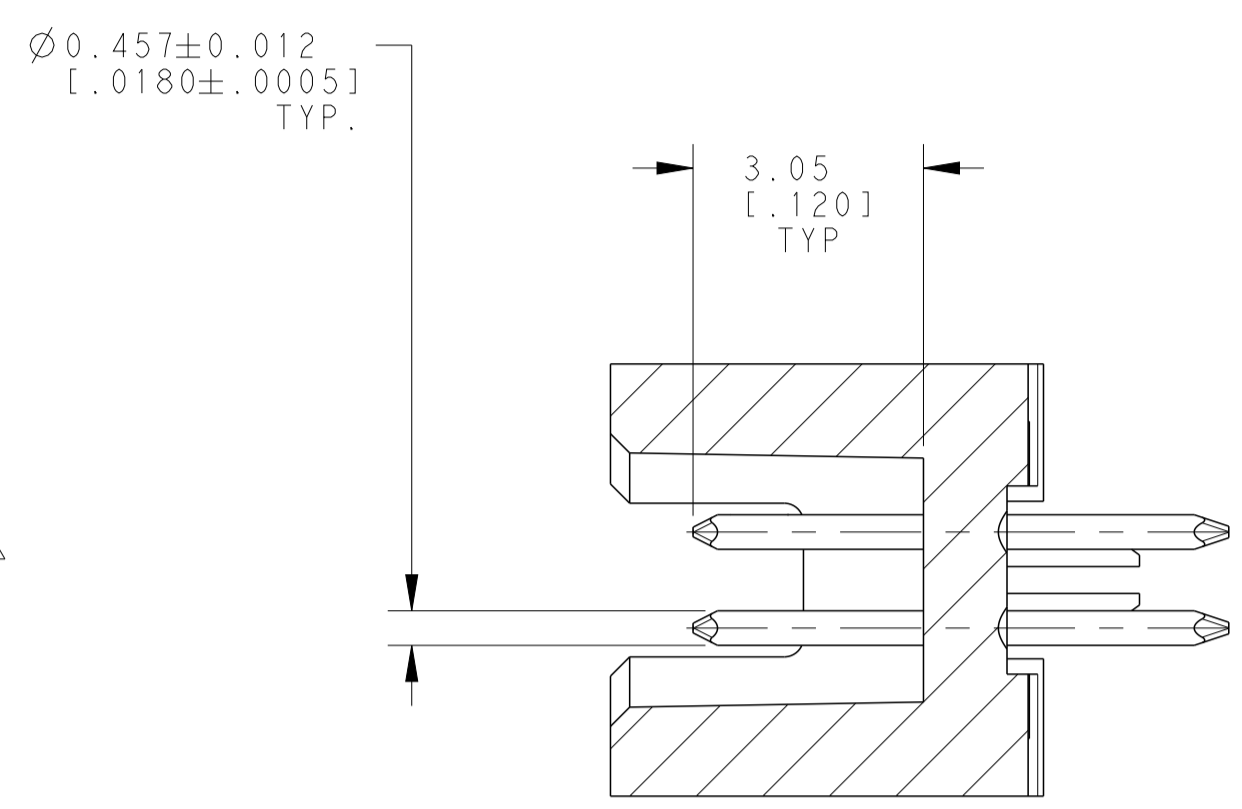
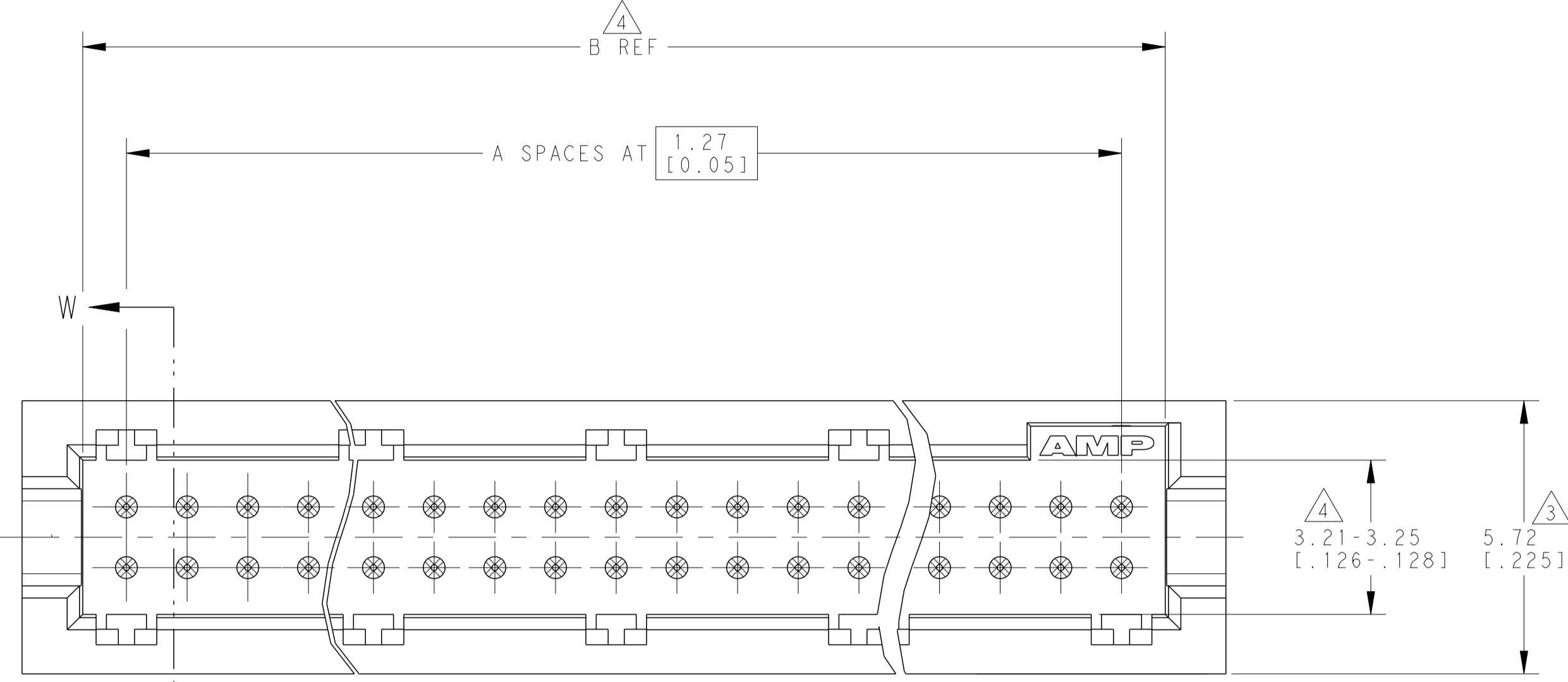
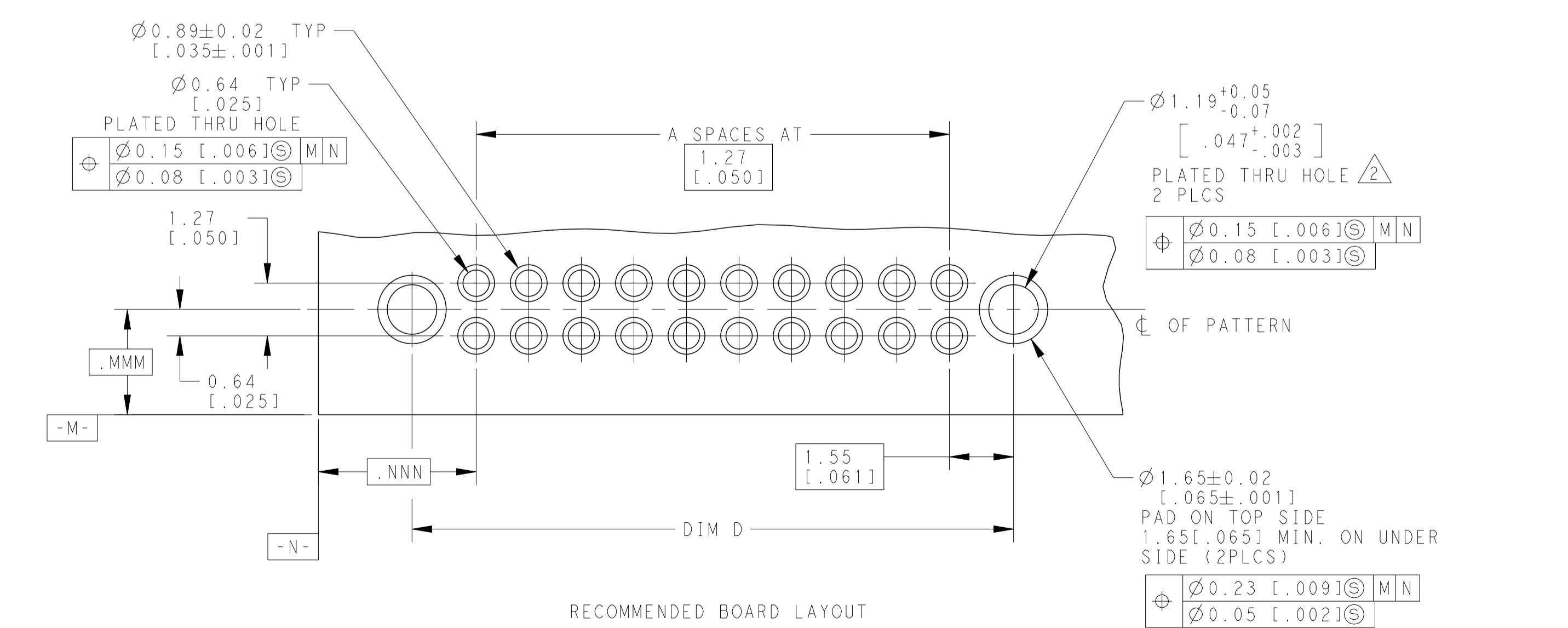
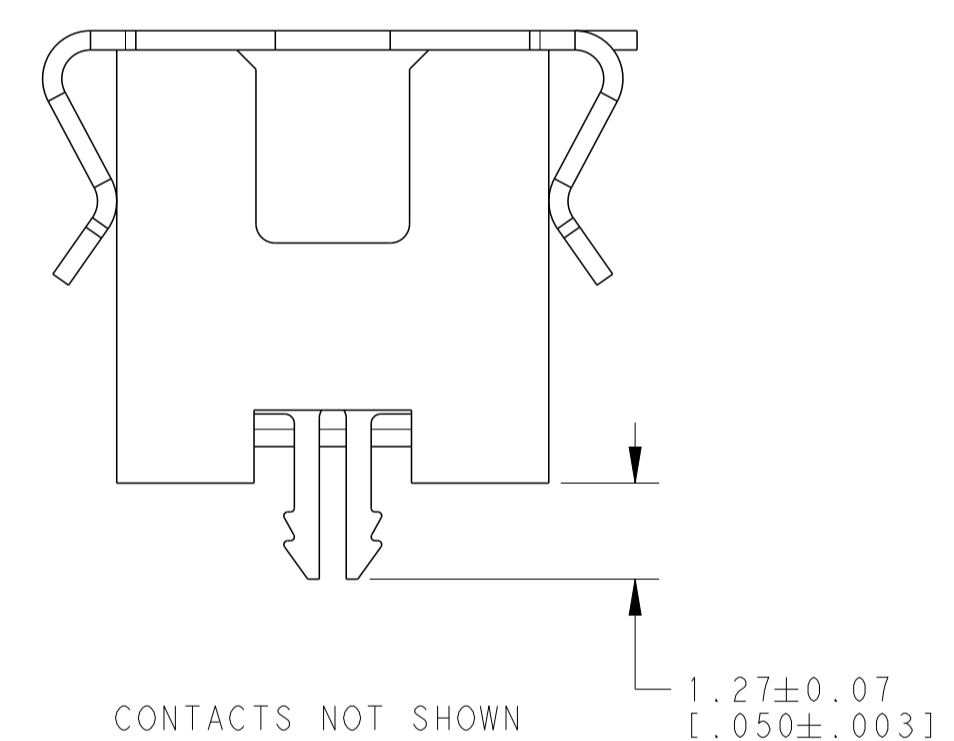
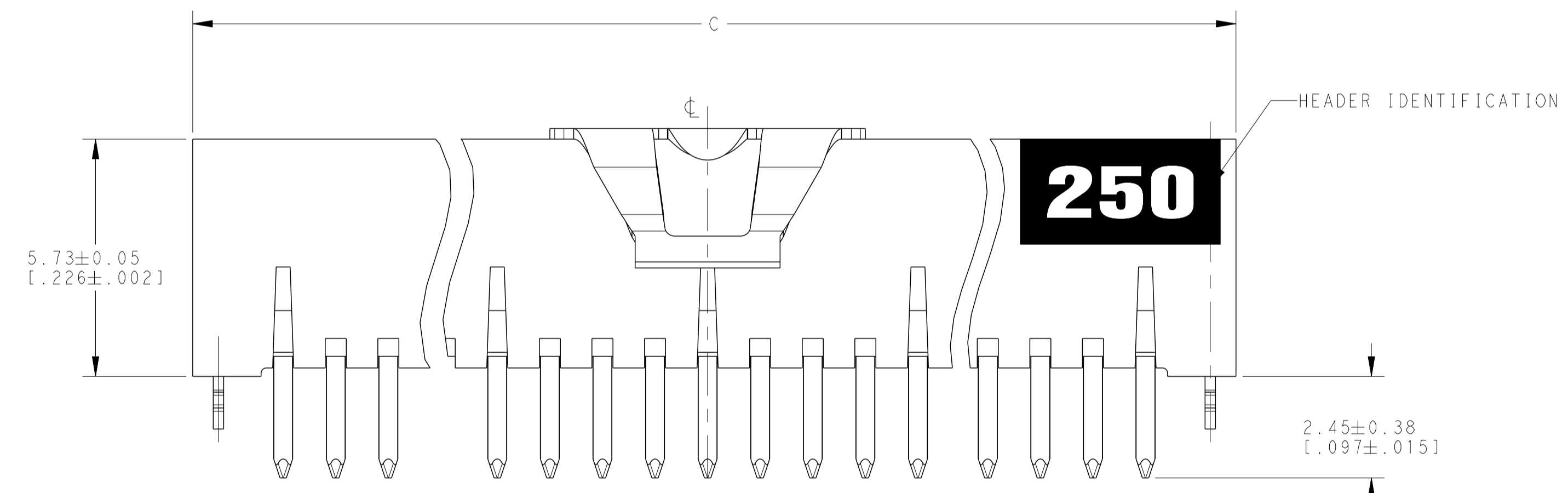


REVISIONS				
P	LTN	DESCRIPTION	DATE	APVD
A		REDRAWN IN CREO	05APR2019	RS JO



- 1 0.00076[.000030] GOLD AT POINT OF MEASUREMENT, 0.00051[.000020] MIN AT THE END OF AREA G, (LOCALIZED GOLD PLATE AREA), 0.0038[.000150] TIN-LEAD ON LOCALIZED TIN PLATED AREA, ALL OVER 0.0013[.000050] NICKEL
- 2 USE 1.32±0.002[.052±.001] DRILLED HOLE (#55 DRILL). FINISH TO BE TIN OVER 0.02[.001]MIN COPPER.
- 3 DIMENSION APPLIES AT BASE OF SHROUD.
- 4 THE NOTED DIMENSIONS APPLY AT THE MATING FACE OF THE HOUSING.
- 5 0.0038 [0.000150] TIN LEAD ON HOLD DOWN, ALL OVER 0.0013 [0.000050] NICKEL.
- 6. PACKAGED IN TUBES
- 7 DIMENSIONS NOTED APPLY FROM THE BASIC DIMENSION LINE (NOT THE CIRCUIT CAVITY CENTER LINE) TO THE SURFACE INDICATED.
- 8. IF PLANNING TO USE MORE THAN ONE MATING PAIR OF CONNECTORS TO INTERCONNECT 2 BOARDS, PLEASE REFER TO THE SPACING PARAGRAPH IN APPLICATION SPEC, #114-7010
- 9. PACKAGED IN EIA 481 TAPE AND REEL. SEE TABLE FOR TAPE WIDTHS.
- 10 5.5 [2.16] MIN TARGET AREA FOR VACCUM PICK-UP
- 11 HOUSING: LCP,COLOR: BLACK
POST: PHOSPHOR BRONZE
HOLD DOWN: COPPER ALLOY
VACCUM COVER: ALUMINIUM
- 12 0.00076[.000030] GOLD AT POINT OF MEASUREMENT, 0.00051[.000020] MIN AT THE END POINTS OF AREA G, (LOCALIZED GOLD PLATE AREA), 0.0038[.000150] TIN ON LOCALIZED TIN PLATED AREA, ALL OVER 0.00127[.000050] NICKEL.
- 13 USE 1.55±.02 [0.0610±.0010] DRILLED HOLE (1.55mm DRILL). WITH 0.02(.001) MIN COPPER.
- 14 0.00381 (.000150) TIN ON HOLDDOWN, ALL OVER 0.00127 (.000050) NICKEL



FINISH	TAPE WIDTH	D			A	NUMBER OF POSITIONS	PART NUMBER	
		88mm	72mm	56mm				
12,14	88mm	65.33 [2.572]	66.59 [2.622]	64.05 [2.522]	49	100	6-2267258-0	
	88mm	58.98 [2.322]	60.248 [2.372]	57.708 [2.272]	44	90	5-2267258-9	
	72mm	52.63 [2.072]	53.89 [2.122]	51.35 [2.022]	39	80	5-2267258-8	
	72mm	46.28 [1.822]	47.54 [1.872]	45.00 [1.772]	34	70	5-2267258-7	
	56mm	39.93 [1.572]	41.19 [1.622]	38.65 [1.522]	29	60	5-2267258-6	
	56mm	33.58 [1.322]	34.84 [1.372]	32.30 [1.272]	24	50	5-2267258-5	
	44mm	27.23 [1.072]	28.49 [1.122]	25.95 [1.022]	19	40	5-2267258-4	
	32mm	20.88 [0.822]	22.14 [0.872]	19.60 [0.772]	14	30	5-2267258-3	
	24mm	14.53 [0.572]	15.79 [0.622]	13.25 [0.522]	9	20	5-2267258-2	
	24mm	8.18 [0.322]	9.44 [0.372]	6.90 [0.272]	4	10	5-2267258-1	
	1,5	88mm	65.33 [2.572]	66.59 [2.622]	64.05 [2.522]	49	100	1-2267258-0
		88mm	58.98 [2.322]	60.248 [2.372]	57.708 [2.272]	44	90	2267258-9
		72mm	52.63 [2.072]	53.89 [2.122]	51.35 [2.022]	39	80	2267258-8
		72mm	46.28 [1.822]	47.54 [1.872]	45.00 [1.772]	34	70	2267258-7
56mm		39.93 [1.572]	41.19 [1.622]	38.65 [1.522]	29	60	2267258-6	
56mm		33.58 [1.322]	34.84 [1.372]	32.30 [1.272]	24	50	2267258-5	
44mm		27.23 [1.072]	28.49 [1.122]	25.95 [1.022]	19	40	2267258-4	
32mm		20.88 [0.822]	22.14 [0.872]	19.60 [0.772]	14	30	2267258-3	
24mm		14.53 [0.572]	15.79 [0.622]	13.25 [0.522]	9	20	2267258-2	
24mm		8.18 [0.322]	9.44 [0.372]	6.90 [0.272]	4	10	2267258-1	

THIS DRAWING IS A CONTROLLED DOCUMENT. DWG: RAVI.S 05APR2019
 DIMENSIONS: mm [INCH] TOLERANCES UNLESS OTHERWISE SPECIFIED:
 0 PLC ±.013 [0.0005]
 1 PLC ±.013 [0.0005]
 2 PLC ±.013 [0.0005]
 3 PLC ±.013 [0.0005]
 4 PLC ±.013 [0.0005]
 ANGLES ±.013 [0.0005]
 MATERIAL: SEE TABLE FINISH: SEE TABLE
 CUSTOMER DRAWING
 DWG: J. OLSON 05APR2019
 APVD: J. OLSON 05APR2019
 PRODUCT SPEC: 108-1332
 APPLICATION SPEC: 114-7010
 WEIGHT: -
 SCALE: 10:1
 SHEET 1 OF 1
 REV A
STE TE Connectivity
 HDR ASSY, THROUGH HOLE
 AMPMODU 50/50 GRID
 (6.35 [0.250] MATED HEIGHT)
 SIZE: 114-7010
 CAGE CODE: 114-7010
 DRAWING NO: 100779
 CUSTOMER DRAWING: C=2267258