

REVISIONS

P	LTR	DESCRIPTION	DATE	DWN	APVD
	A	ECO-18-002821	26FEB18	KH	NN

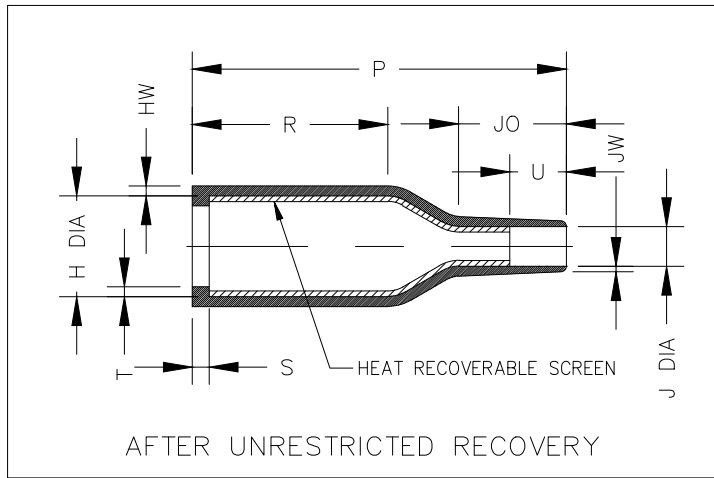
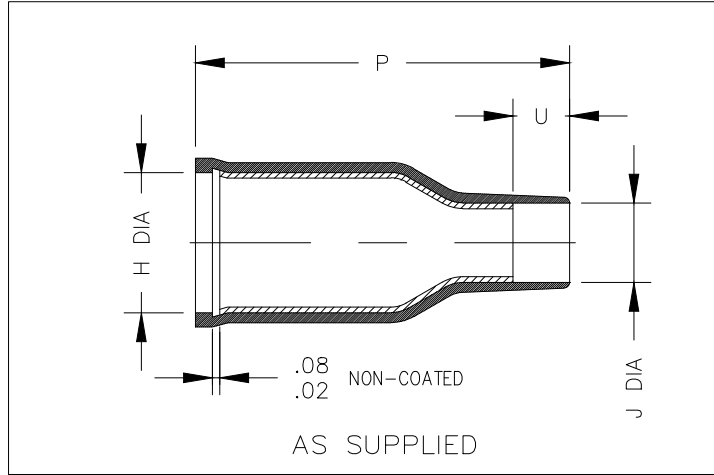


TABLE OF DIMENSIONS

PART NUMBER	H		J		P		R	S	T	U		JO	HW	JW
	Min a	Max b	Min a	Max b	±5% a	±10% b	Ref b	Ref b	Ref b	Min a	±20% b	Ref b	±30% b	±30% b
202S121-XXC-0	20.0 [.79]	10.4 [.41]	11.0 [.43]	5.0 [.20]	45.0 [1.77]	45.0 [1.77]	17.0 [.67]	3.0 [.12]	1.0 [.04]	6.0 [.24]	10.0 [.39]	15.0 [.59]	2.0 [.08]	1.0 [.04]
202S132-XXC-0	24.0 [.94]	14.2 [.56]	15.0 [.59]	6.0 [.24]	60.0 [2.36]	60.0 [2.36]	28.0 [1.10]	3.0 [.12]	1.0 [.04]	6.0 [.24]	10.0 [.39]	17.0 [.67]	2.0 [.08]	1.0 [.04]
202S142-XXC-0	31.0 [1.22]	18.0 [.71]	18.0 [.71]	7.2 [.28]	72.0 [2.83]	72.0 [2.83]	32.0 [1.26]	3.0 [.12]	1.0 [.04]	6.0 [.24]	10.0 [.39]	20.0 [.79]	2.0 [.08]	1.0 [.04]
202S152-XXC-0	36.0 [1.42]	22.4 [.88]	22.0 [.87]	8.5 [.33]	85.0 [3.35]	85.0 [3.35]	31.0 [1.22]	3.0 [.12]	1.0 [.04]	9.0 [.35]	15.0 [.59]	25.0 [.98]	2.0 [.08]	1.0 [.04]
202S163-XXC-0	43.0 [1.69]	28.2 [1.11]	26.0 [1.02]	10.0 [.39]	110.0 [4.33]	110.0 [4.33]	50.0 [1.97]	3.0 [.12]	1.7 [.07]	12.0 [.47]	20.0 [.79]	30.0 [1.18]	2.2 [.09]	1.2 [.05]
202S174-XXC-0	47.0 [1.85]	35.1 [1.38]	36.0 [1.42]	15.8 [.62]	132.0 [5.20]	135.0 [5.32]	70.0 [2.76]	3.0 [.12]	1.7 [.07]	12.0 [.47]	20.0 [.79]	30.0 [1.18]	3.0 [.12]	1.5 [.06]

RELEASED FOR PUBLICATION

ALL RIGHTS RESERVED.

THIS DRAWING IS UNPUBLISHED.

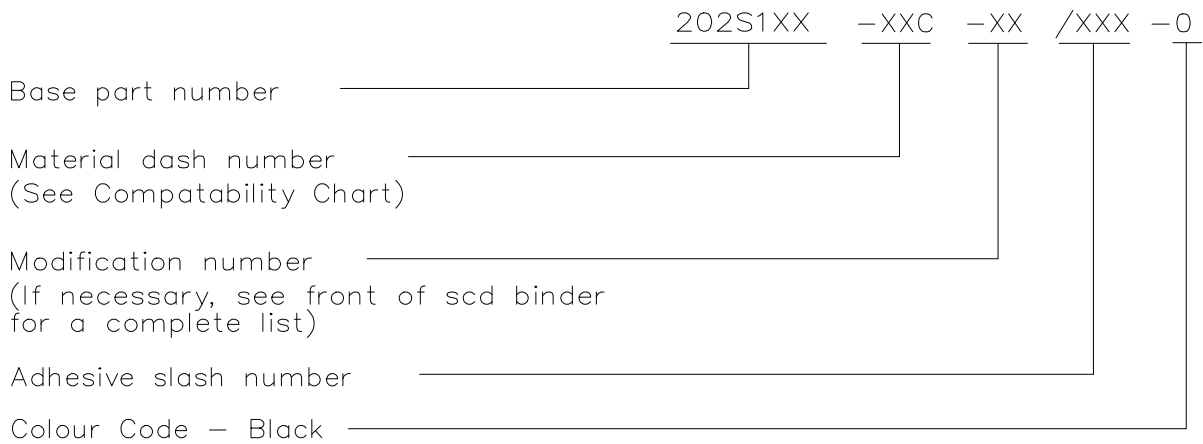
© COPYRIGHT 2017 By TE Connectivity

DIMENSIONS: mm [INCHES]	DWN P. VU	24OCT2016	MATERIAL	-	FINISH	-
	CHK N. NAGAR	24OCT2016	TE Connectivity			
TOLERANCES UNLESS OTHERWISE SPECIFIED:	APVD A. POOLE	24OCT2016				
0 PLC ± - 1 PLC ± - 2 PLC ± - 3 PLC ± - 4 PLC ± - ANGLES ± -	PRODUCT SPEC	-	NAME STRAIGHT BOOT, COATED 202S1XX-XXC-0			
	APPLICATION SPEC	-	SIZE	CAGE CODE	DRAWING NO	RESTRICTED TO
	WEIGHT	00	A4	00779	202S1XX-XXC-0	-
	CUSTOMER DRAWING			SCALE	DNS	SHEET 1 OF 2

REVISIONS				
P	LTR	DESCRIPTION	DATE	APVD
	-	SEE SHEET 1	-	-

COMPATIBILITY CHART			
Material Dash No.	Material Description	SPEC No.	Coating Slash No.
-25C	ELASTOMER/SILVER COMPOSITE	RW-3047	/86, /200

ORDERING INFORMATION



NOTES

- As supplied dimensions are for parts without adhesive, when an adhesive layer is added entry diameters will reduce by 1.5mm Max.
- Dimensions appearing in table are as follows -
  - a - As supplied
  - b - After unrestricted Recovery


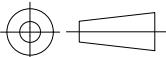
THIS DRAWING IS SUBJECT TO CHANGE WITHOUT NOTICE;  
CONSULT YOUR NEAREST FIELD REPRESENTATIVE FOR CURRENT REVISION.

RELEASED FOR PUBLICATION

ALL RIGHTS RESERVED.

© COPYRIGHT 2017 By TE Connectivity

THIS DRAWING IS UNPUBLISHED.

DIMENSIONS: mm [INCHES]	DWN P. VU	24OCT2016	MATERIAL	-	FINISH	-
	CHK N. NAGAR	24OCT2016	 TE Connectivity			
TOLERANCES UNLESS OTHERWISE SPECIFIED:	APVD A. POOLE	24OCT2016				
0 PLC ± -	PRODUCT SPEC		NAME			
1 PLC ± -	-		STRAIGHT BOOT, COATED			
2 PLC ± -	-		202S1XX-XXC-0			
3 PLC ± -	APPLICATION SPEC		SIZE	CAGE CODE	DRAWING NO	RESTRICTED TO
4 PLC ± -	-		A4	00779	202S1XX-XXC-0	-
ANGLES ± -	WEIGHT		00			
			CUSTOMER DRAWING			
			SCALE	DNS		SHEET 2 OF 2 REV A