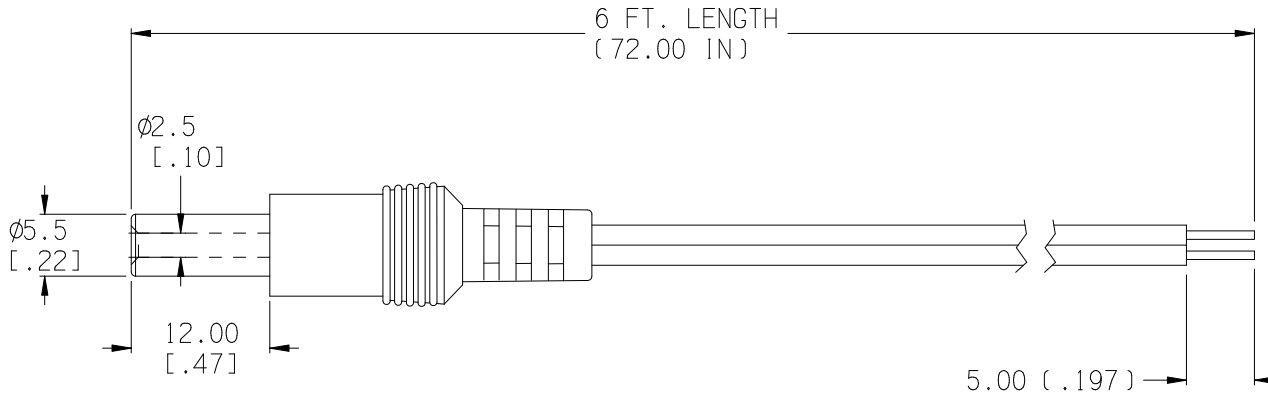



Date	SYM	REVISION RECORD	AUTH	DR.	CK.
08/06/14	A	UPDATED TO ROHS 2 COMPLIANT	T.B.	B.S.	



HOUSING: BLACK ABS
 CORD: UL2468, 300V, 80°C, 18 AWG
 PASSES UL FLAME TEST VW-1
 CENTER IS POSITIVE CONTACT
 DC MOLDED PLUG: 2.5mm X 5.5mm
 VOLTAGE: 300V
 CURRENT RATING: 10A
 ROHS 2 COMPLIANT

Tolerance (Inches)	 Memory Protection Devices, Inc. 200 Broad Hollow Road, Farmingdale, New York 11735		
Decimal $\pm .5$ (.020)		Scale	Drawn By B.S.
			Approved By T.B.
Fractional $\pm .8$ (.030)	Title 2.5mm DC MOLDED PLUG WITH 6' WIRE LEADS		
Angular $\pm 3^\circ$	Date 08/06/14	Drawing Number 172-4201	