

## RJ45 connector - CUC-V14-C1ZNI-S/R4P8:10 - 1422669

Please be informed that the data shown in this PDF Document is generated from our Online Catalog. Please find the complete data in the user's documentation. Our General Terms of Use for Downloads are valid (<http://phoenixcontact.com/download>)




Push-pull connector (version 14), die-cast zinc, with RJ45 connector insert, 8-pos., with IDC fast connection technology, for 1 and 7-wire cores, 23 ... 22 AWG, for cable diameter of 5.5 mm ... 10 mm

### Your advantages

- Push-pull ADVANCE connector
- Locking system to prevent inadvertent removal
- Protected data transmission, thanks to 360° shielding concept
- High resistance to ESD and EMC for reliable transmission



### Key Commercial Data

Packing unit	10 pc
Minimum order quantity	10 pc
GTIN	 4 055626 311371
GTIN	4055626311371

### Technical data

#### Mechanical characteristics

Number of positions	8
Connection profile	RJ45
Locking type	Push Pull
Insertion/withdrawal cycles	≥ 750
Connection method	IDC fast connection
Conductor cross section	0.23 mm <sup>2</sup> ... 0.32 mm <sup>2</sup> (solid)
	0.23 mm <sup>2</sup> ... 0.36 mm <sup>2</sup> (flexible)
Connection cross section AWG	23 ... 22 (solid)
	23 ... 22 (flexible)
Max. cable diameter	5.5 mm ... 10 mm
External cable diameter	5.5 mm ... 10 mm

## RJ45 connector - CUC-V14-C1ZNI-S/R4P8:10 - 1422669

### Technical data

#### Mechanical characteristics

Cable outlet	straight
Degree of protection	IP65/IP67
Type	Version 14
No. of cable outlets	1
Note	This product corresponds to the PROFINET Cabling and Interconnection Technology Guideline for PROFINET regulations, version 3.01, Order No. 2252

#### Ambient conditions

Ambient temperature (operation)	-40 °C ... 70 °C
Ambient temperature (assembly)	-10 °C ... 40 °C
Ambient temperature (storage/transport)	-40 °C ... 70 °C

#### Material data

Housing material	Zinc die-cast
Housing surface material	Nickel-plated
Seal material	NBR
Height	34 mm

#### Electrical characteristics

Rated voltage (III/3)	72 V (DC)
Rated current	1.75 A
Frequency range	to 100 MHz
Transmission characteristics (category)	CAT5 (IEC 11801:2002)

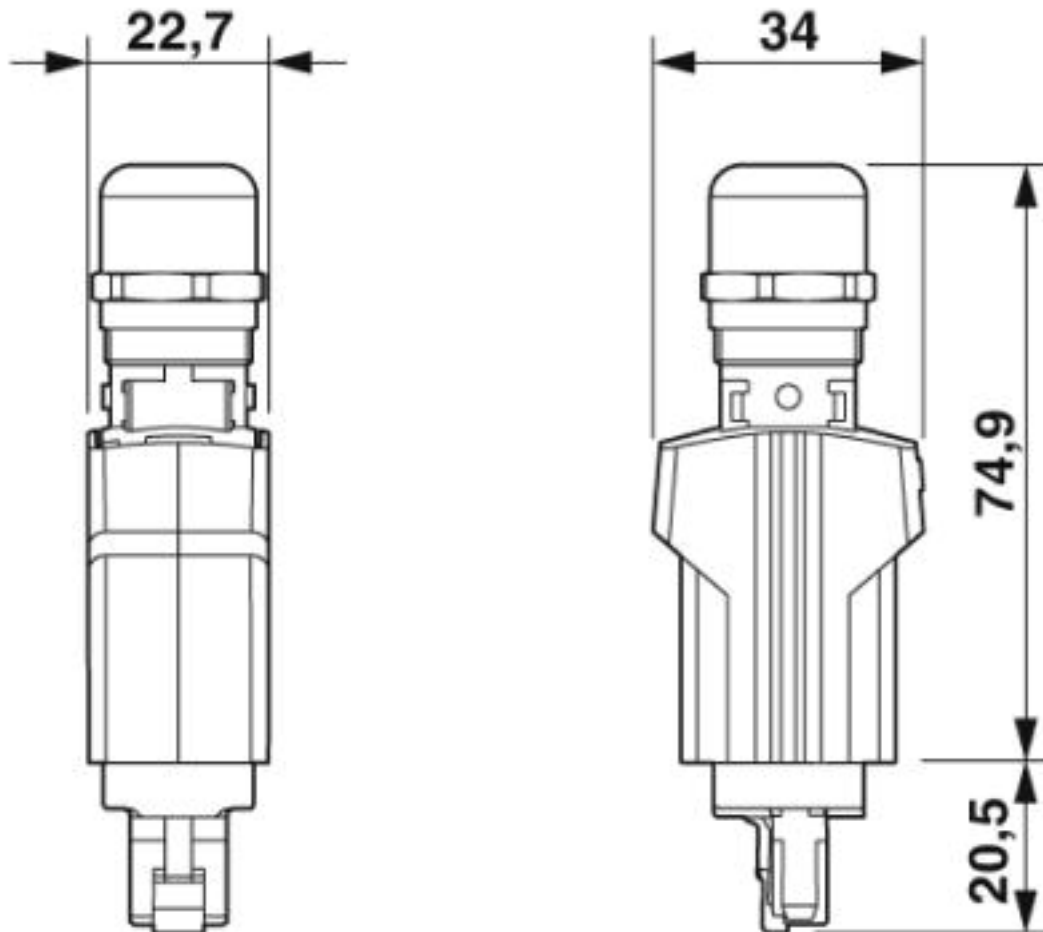
#### Environmental Product Compliance

REACH SVHC	Lead 7439-92-1
China RoHS	Environmentally Friendly Use Period = 50
	For details about hazardous substances go to tab "Downloads", Category "Manufacturer's declaration"

### Drawings

## RJ45 connector - CUC-V14-C1ZNI-S/R4P8:10 - 1422669

Dimensional drawing



Phoenix Contact 2019 © - all rights reserved  
<http://www.phoenixcontact.com>

PHOENIX CONTACT GmbH & Co. KG  
Flachsmarktstr. 8  
32825 Blomberg  
Germany  
Tel. +49 5235 300  
Fax +49 5235 3 41200  
<http://www.phoenixcontact.com>