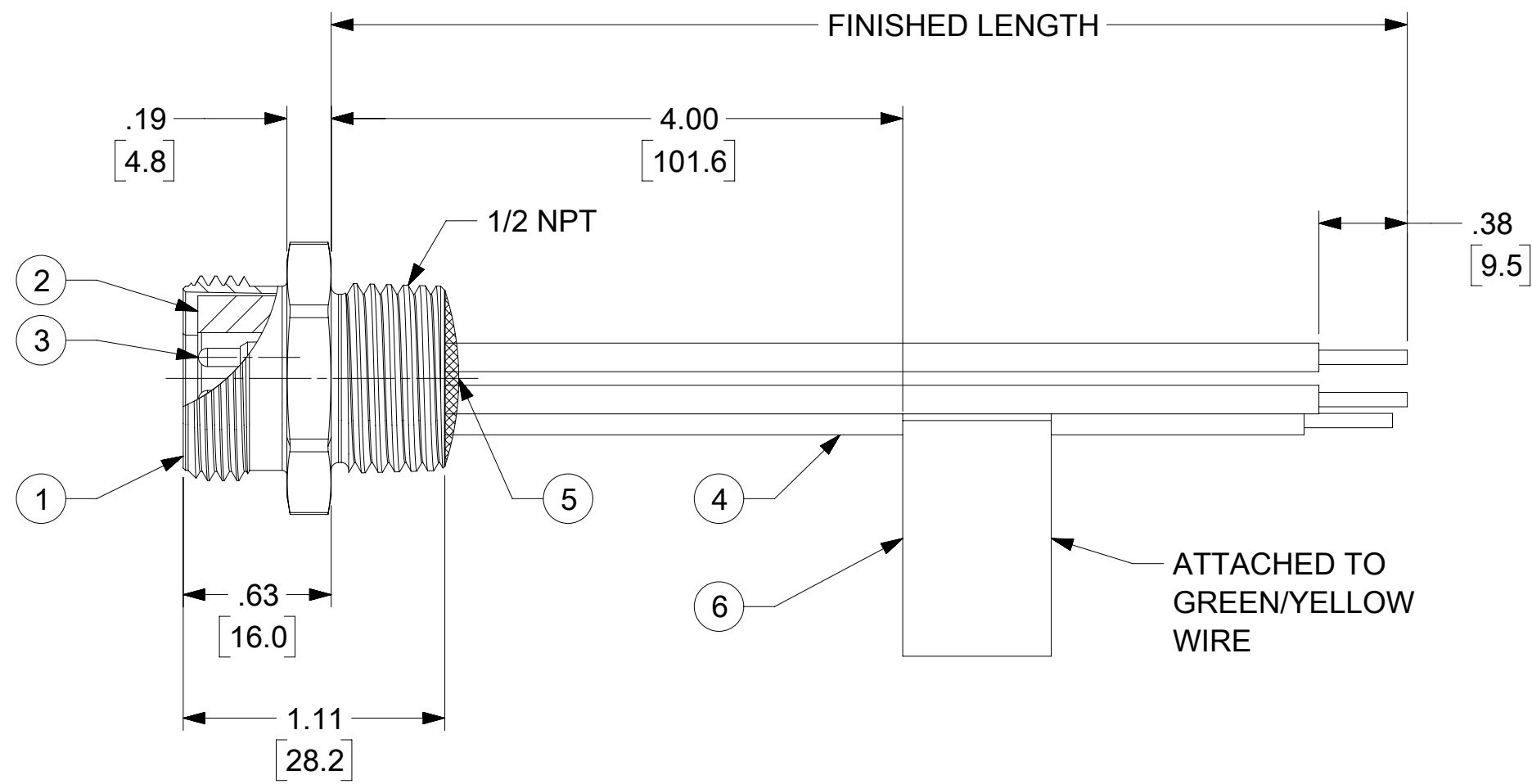
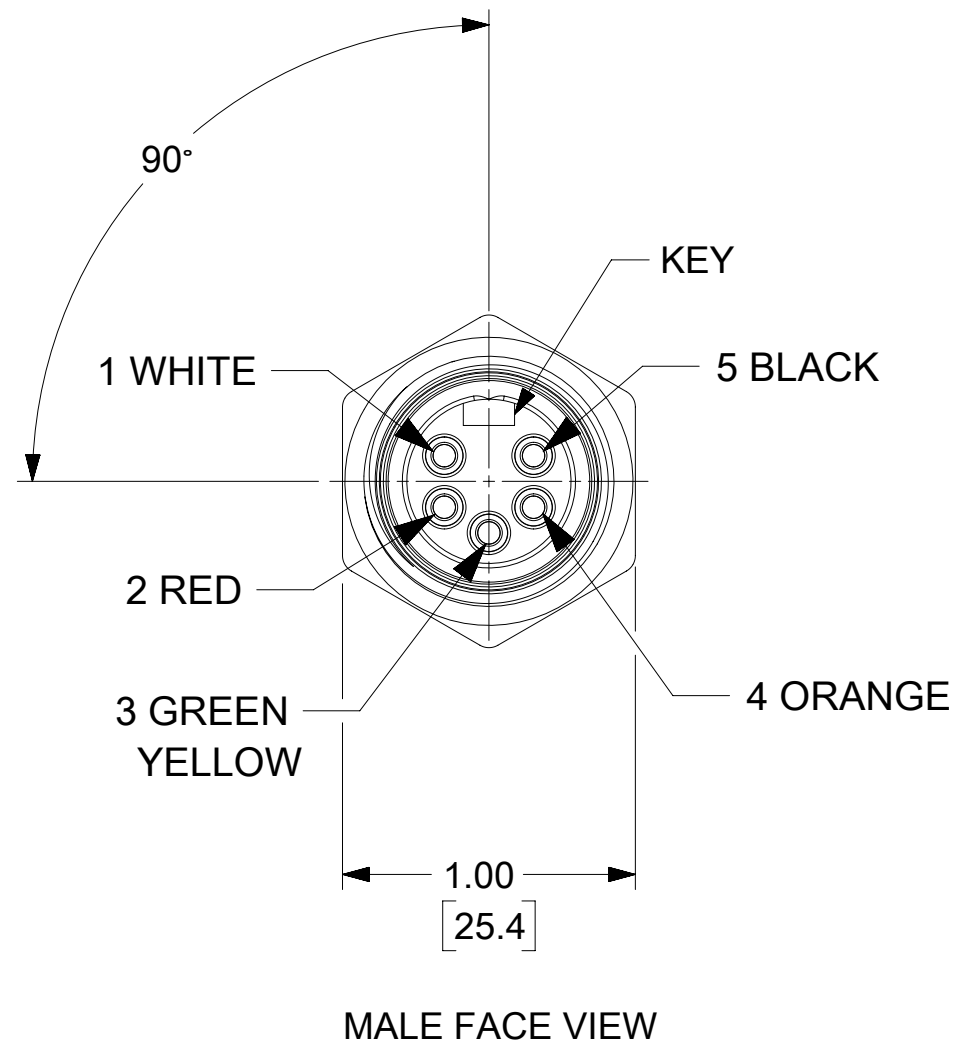
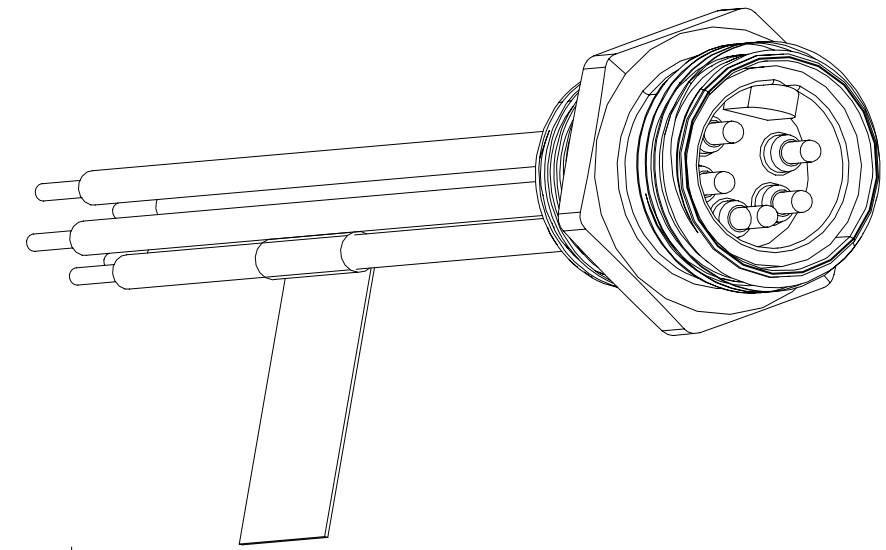
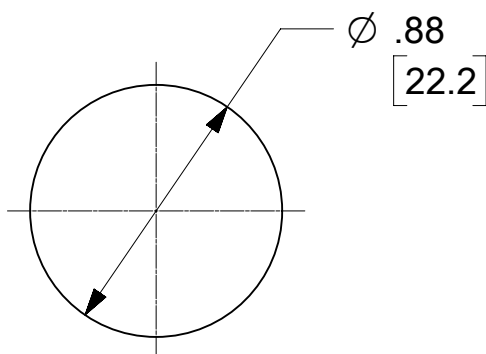


PART NO.	ENGINEERING NO.	FINISHED LENGTH
1300130493	1R5006A20A120	12 IN (0.30M)
1300130500	1R5006A20F030	3 FT (0.90M)
1300131166	1R5006A20M030	3M (9 FT, 10 IN)

CABLE LENGTH TOLERANCES
 <.3M [1FT]: +19mm-0 [+.75in-0]
 .3 - .9M [1 - 3FT]: +44.5mm-0 [+1.75in-0]
 .9 - 1.8M [3 - 6FT]: +55.6mm-0 [+2.19in-0]
 1.8 - 3.7M [6 - 12FT]: +88.9mm-0 [+3.50in-0]
 3.7 - 7.3M [12 - 24FT]: +165.1mm-0 [+6.50in-0]
 7.3-14.6M [24 - 48FT]: +317.5mm-0 [+12.50in-0]
 14.6 - 30.5M [48-100FT]: +622.3mm-0 [+24.50in-0]
 OVER 30M [100FT] +2% OF FINISHED LENGTH



- NOTES:
- MATERIAL: AS NOTED
 - FINISH: AS NOTED
 - ELECTRICAL:
 VOLTAGE: 400V PER IEC60664
 600V PER UL2238
 CURRENT: 8A
 - TEMP RATING: -20°C TO +105°C
 - PROTECTION: IP67 (WHEN MATED)
 - COUPLING THREAD: 7/8-16 UN
 - UL RECOGNIZED FILE: E152210
 CSA CERTIFIED: LR6837
 - ALL DIMS ARE FOR REFERENCE UNLESS TOLERANCED OR NOTED OTHERWISE



PART NUMBER LEGEND

1R5006A20A120

LENGTH
 A060 = 6 IN
 A120 = 12 IN
 F060 = 6.0 FT
 M003 = 0.3 METERS
 M010 = 1.0 METERS
 M100 = 10.0 METERS

ITEM	DESCRIPTION	MATERIAL	FINISH
6	FLAG LABEL	VINYL	BLACK/YELLOW
5	POTTING MATERIAL	EPOXY	
4	WIRE #16 (UL 1015)	PVC INSULATION	SEE FACE VIEW
3	CONTACT PIN	Cu ALLOY	GOLD PLATED
2	INSERT	TPE	YELLOW
1	RECEPTACLE SHELL	ZINC (DIE-CAST)	BLACK E-COAT

FUNCTIONAL SYMBOLS										THIS DRAWING CONTAINS INFORMATION THAT IS PROPRIETARY TO MOLEX ELECTRONIC TECHNOLOGIES, LLC AND SHOULD NOT BE USED WITHOUT WRITTEN PERMISSION													
DIMENSION UNITS					SCALE					CURRENT REV DESC: REDRAWN TO NX FOR 5 POLE, REPLACES SD-130013-120													
INCH/MM					1:1																		
GENERAL TOLERANCES (UNLESS SPECIFIED)										EC NO: 668276													
4 PLACES ±					MM					DRWN: RSTONE 2021/06/24													
3 PLACES ±					INCH					CHK'D: MZIELINSKI 2021/07/08													
2 PLACES ±										APPR: BWOODMAN 2021/07/12													
1 PLACE ±										INITIAL REVISION:													
0 PLACES ±										DRWN: RSTONE 2021/06/24													
ANGULAR TOL ± °										APPR: BWOODMAN 2021/07/12													
DRAFT WHERE APPLICABLE MUST REMAIN WITHIN DIMENSIONS					THIRD ANGLE PROJECTION					DRAWING SERIES													
					C-SIZE					130013													
DOCUMENT STATUS			P1			RELEASE DATE			2021/07/12 18:53:08			DOCUMENT NUMBER			DOC TYPE			DOC PART			REVISION		
1300130493			PSD			000			A			MATERIAL NUMBER			CUSTOMER			SHEET NUMBER					
SEE P/N LEGEND			GENERAL MARKET			1 OF 1																	