

6

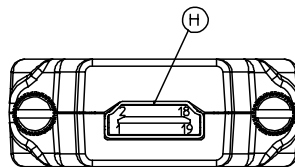
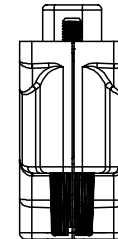
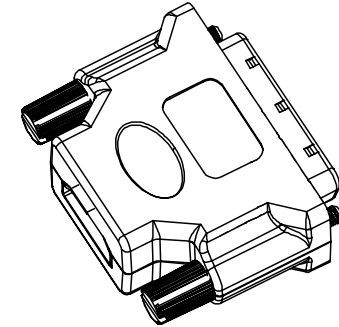
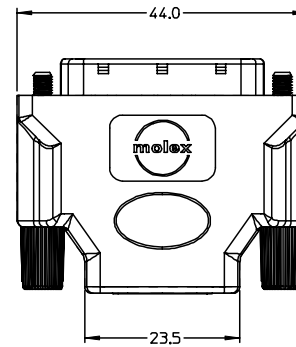
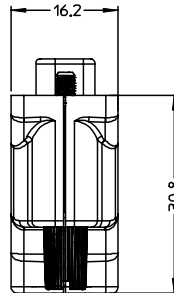
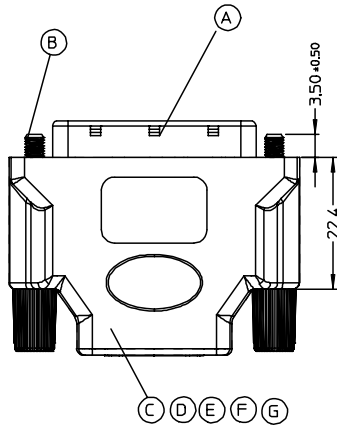
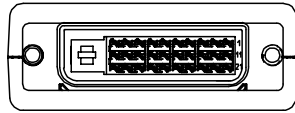
5

4

3

2

1



NOTES:

1. DIELECTRIC STRENGTH: 300V AC FOR 10MS
2. INSULATION RESISTANCE: 10M OHM(MIN)
3. CONTACT RESISTANCE: 2 OHM Max.
4. PCB IMPEDANCE: 100±10 OHM
5. ABS COVER MOLDED WITH 887800141 WHITE RESIN.

ITEM	DESCRIPTION	USAGE
H	HDMI RECEPTACLE	1
G	4-LAY PCB	1
F	BOTTOM METAL CAN	1
E	TOP METAL CAN	1
D	ABS BOTTOM COVER	1
C	ABS TOP COVER	1
B	4-40 UNC JACKSCREW	2
A	R/A P&D CONN.	1

EC NO.	DRWN: CHK: APPR:	DESCRIPTION	QUALITY SYMBOLS		GENERAL TOLERANCES: (UNLESS SPECIFIED)		SCALE	DESIGN UNITS	THIRD ANGLE PROJECTION	UNITS		SHT	REV	
			MAJOR	CRITICAL	mm	INCH	N.S.T	<input checked="" type="checkbox"/> mm <input type="checkbox"/> INCH		<input type="checkbox"/> mm <input type="checkbox"/> INCH	<input checked="" type="checkbox"/> mm ONLY	REVISE ON CAD ONLY		
A	REV		MAJOR											
			CRITICAL	▽=0										
			4 PLACES	▽=0						DRAWN BY & DATE ANDY 04/04/01		TITLE: HDMI(F) TO P&D(M) ADAPTER		
			3 PLACES	▽=0						CHECKED BY & DATE Teddy 04/04/01				
			2 PLACES	▽=0						APPROVED BY & DATE Boran 04/04/01		MOLEX INCORPORATED		
			1 PLACE	▽=0						CAD FILENAME J6459-00.MI				MATERIAL NO. 88764-5900
			ANGULAR: °								THIS DRAWING CONTAINS INFORMATION THAT IS PROPRIETARY TO MOLEX INCORPORATED AND SHOULD NOT BE USED WITHOUT WRITTEN PERMISSION.			
											SIZE A4			

6

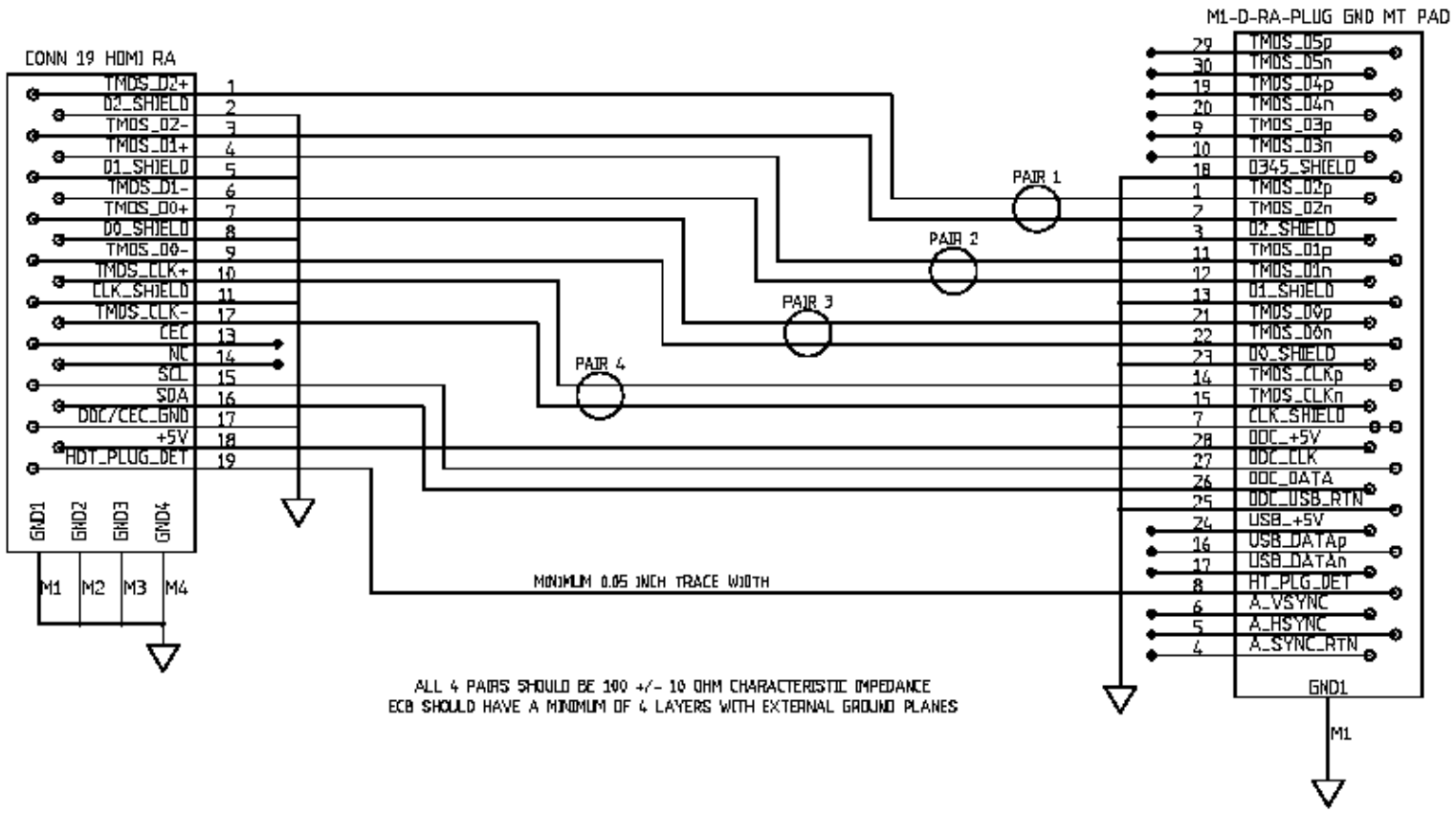
5

4

3

2

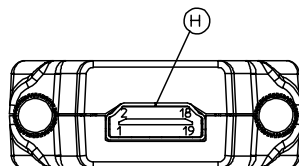
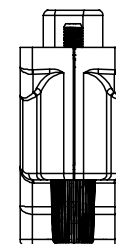
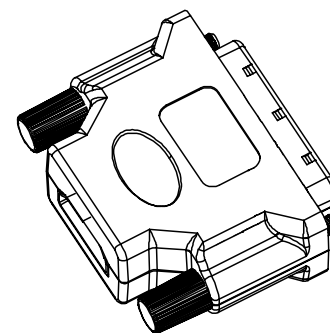
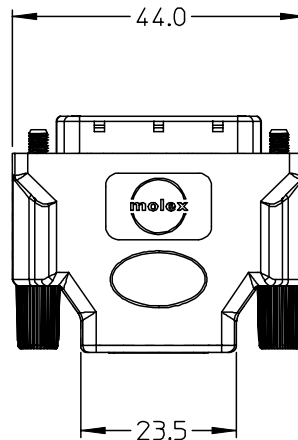
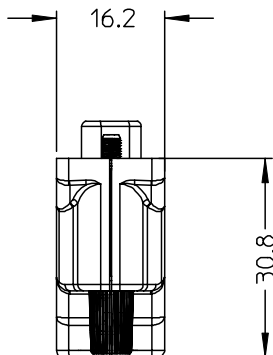
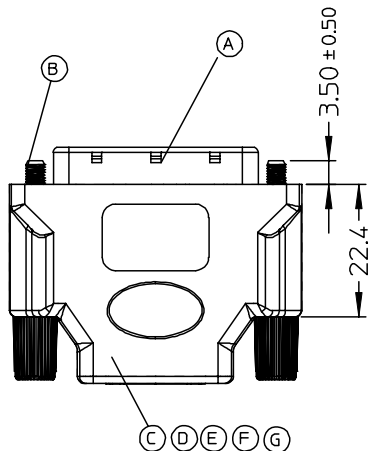
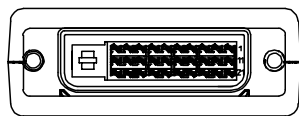
1



ALL 4 PAIRS SHOULD BE 100 +/- 10 OHM CHARACTERISTIC IMPEDANCE
 ECB SHOULD HAVE A MINIMUM OF 4 LAYERS WITH EXTERNAL GROUND PLANES

EC NO. A	DRWN: CHK: APPR:	DESCRIPTION REV	QUALITY SYMBOLS	GENERAL TOLERANCES: (UNLESS SPECIFIED)	SCALE N.S.T	DESIGN UNITS <input checked="" type="checkbox"/> mm <input type="checkbox"/> INCH	THIRD ANGLE PROJECTION	<input type="checkbox"/> mm <input type="checkbox"/> INCH	<input checked="" type="checkbox"/> mm ONLY	SHT	REV
			MAJOR ▼ - 0	mm	INCH	DRAWN BY & DATE ANDY 04/04/01	TITLE: HDMI(F) TO P&D(M) ADAPTOR		REVISE ON CAD ONLY		
			CRITICAL ▽ - 0	ANGULAR: °		CHECKED BY & DATE Teddy 04/04/01	MOLEX INCORPORATED				
					APPROVED BY & DATE Boran 04/04/01	CAD FILENAME J6459-00.MI	MATERIAL NO. 88764-5900	DRAWING NO. RSD-88764-006	SHEET NO. 2 OF 2	SIZE A4	

7 6 5 4 3 2 1

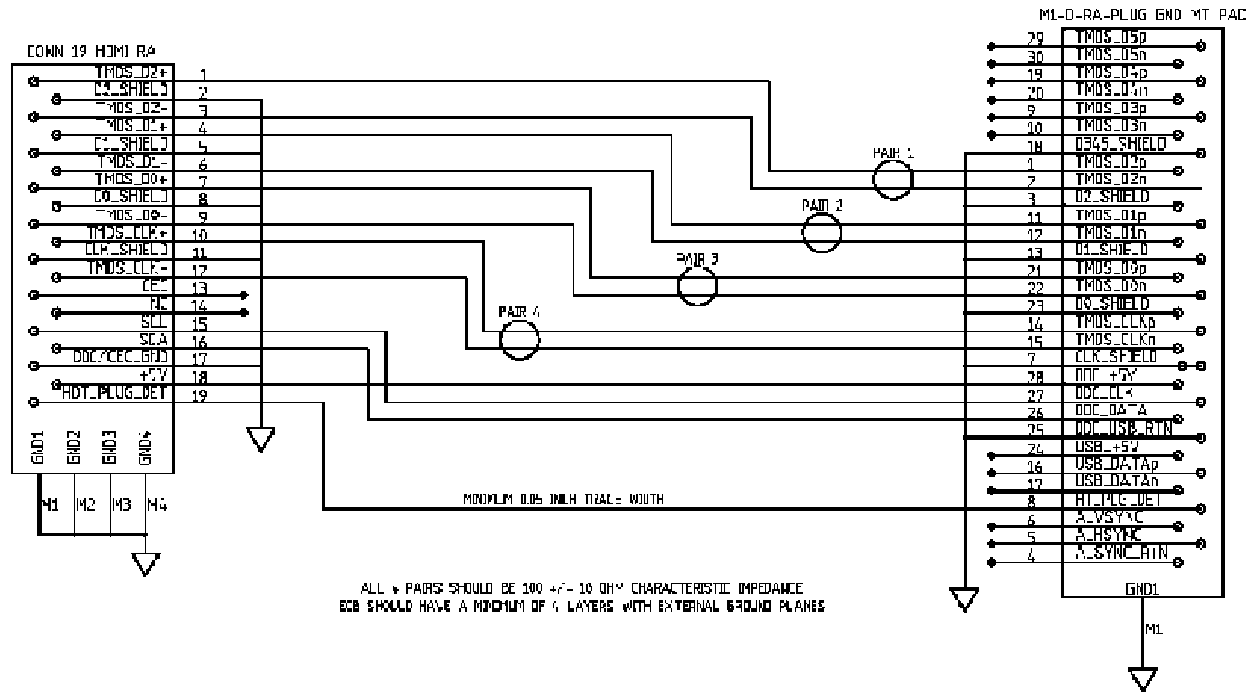


NOTES:

1. DIELECTRIC STRENGTH: 300V AC FOR 10MS
2. INSULATION RESISTANCE: 10M OHM(MIN.)
3. CONTACT RESISTANCE: 2 OHM Max.
4. PCB IMPEDANCE: 100±10 OHM
5. ABS COVER MOLDED WITH 887800141 WHITE RESIN.
6. THIS PRODUCT MEET ROHS COMPLIANCE

ITEM	DESCRIPTION	USAGE
H	HDMI RECEPTACLE	1
G	4-LAY PCB	1
F	BOTTOM METAL CAN	1
E	TOP METAL CAN	1
D	ABS BOTTOM COVER	1
C	ABS TOP COVER	1
B	4-40 UNC JACKSCREW	2
A	R/A P&D CONN.	1

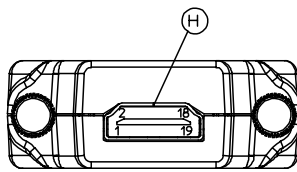
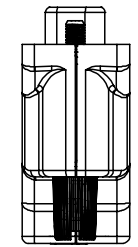
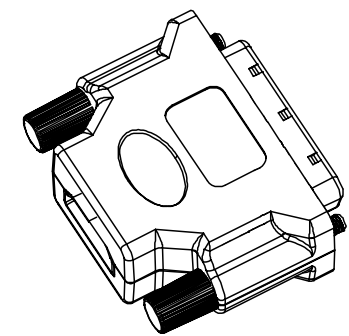
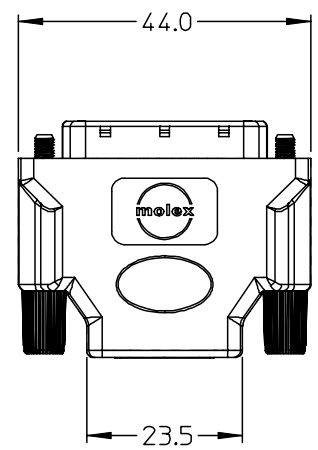
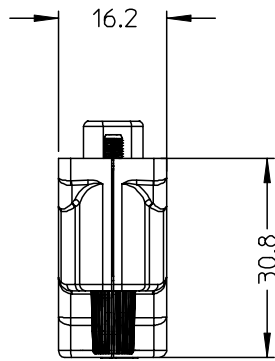
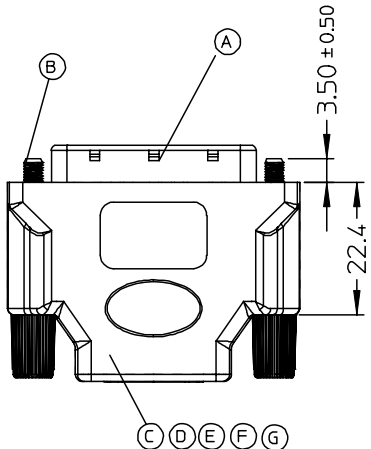
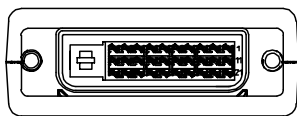
ENTER DESCRIPTION EC NO: DG2006-0175 DRWN: JFZHENG 2006/02/18 CHKD: JFZHENG 2006/02/20 APPR: DQLUO 2006/02/20	QUALITY SYMBOLS ▽=0 ◻=0	GENERAL TOLERANCES (UNLESS SPECIFIED)		DIMENSION STYLE MM ONLY		SCALE ---	DESIGN UNITS METRIC	THIRD ANGLE PROJECTION			
			mm	INCH	DRAWN BY	DATE	TITLE				
		4 PLACES	±---	±---	JFZHENG	2006/02/18	HDMI(F) TO P&D ADAPTER				
		3 PLACES	±---	±---	CHECKED BY	DATE					
2 PLACES	±---	±---	JFZHENG	2006/02/18							
1 PLACE	±---	±---	APPROVED BY	DATE							
		ANGULAR ±---°	DQLUO	2006/02/18	MOLEX INCORPORATED						
		DRAFT WHERE APPLICABLE MUST REMAIN WITHIN DIMENSIONS	MATERIAL NO.	ENTER PART	DOCUMENT NO.	SD-88764-590		SHEET NO.			
			SIZE	THIS DRAWING CONTAINS INFORMATION THAT IS PROPRIETARY TO MOLEX INCORPORATED AND SHOULD NOT BE USED WITHOUT WRITTEN PERMISSION						1 OF 2	



ALL 4 PAIRS SHOULD BE 100 +/- 10 OHM CHARACTERISTIC IMPEDANCE
PCB SHOULD HAVE A MINIMUM OF 4 LAYERS WITH EXTERNAL GROUND PLANES

ENTER DESCRIPTION EC NO: DG2006-0175 DRWN: JFZHENG 2006/02/18 CHKD: JFZHENG 2006/02/20 APPR: DQLUO 2006/02/20	QUALITY SYMBOLS ▽=0 ◻=0	GENERAL TOLERANCES (UNLESS SPECIFIED)		DIMENSION STYLE MM ONLY		SCALE ---	DESIGN UNITS METRIC	THIRD ANGLE PROJECTION		
			mm	INCH	DRAWN BY	DATE	TITLE			
		4 PLACES	±---	±---	JFZHENG	2006/02/18	HDMI(F) TO P&D ADAPTER			
		3 PLACES	±---	±---	CHECKED BY	DATE	MOLEX INCORPORATED			
2 PLACES	±---	±---	JFZHENG	2006/02/18						
1 PLACE	±---	±---	APPROVED BY	DATE	MATERIAL NO. ENTER PART DOCUMENT NO. SD-88764-590					
ANGULAR ±---°		DQLUO	2006/02/18	SHEET NO.					2 OF 2	
DRAFT WHERE APPLICABLE MUST REMAIN WITHIN DIMENSIONS		SIZE		THIS DRAWING CONTAINS INFORMATION THAT IS PROPRIETARY TO MOLEX INCORPORATED AND SHOULD NOT BE USED WITHOUT WRITTEN PERMISSION						

7 6 5 4 3 2 1



- NOTES:
1. DIELECTRIC STRENGTH: 300V AC FOR 10MS
 2. INSULATION RESISTANCE: 10M OHM(MIN.)
 3. CONTACT RESISTANCE: 2 OHM Max.
 4. PCB IMPEDANCE: 100±10 OHM
 5. ABS COVER MOLDED WITH 887800141 WHITE RESIN.
 6. THIS PRODUCT MEET ROHS COMPLIANCE

ITEM	DESCRIPTION	USAGE
H	HDMI RECEPTACLE	1
G	4-LAY PCB	1
F	BOTTOM METAL CAN	1
E	TOP METAL CAN	1
D	ABS BOTTOM COVER	1
C	ABS TOP COVER	1
B	4-40 UNC JACKSCREW	2
A	R/A P&D CONN.	1

ENTER DESCRIPTION EC NO: DG2006-0164 DRWN: JFZHENG CHKD: APPR: DQLUO	2006/01/20 2006/01/20 2006/08/28	QUALITY SYMBOLS ▽=0 ◻=0	GENERAL TOLERANCES (UNLESS SPECIFIED) mm INCH 4 PLACES ± --- ± --- 3 PLACES ± --- ± --- 2 PLACES ± --- ± --- 1 PLACE ± --- ± --- ANGULAR ±1/2°	DIMENSION STYLE MM ONLY DRAWN BY DATE JFZHENG 2005/12/27 CHECKED BY DATE JFZHENG 2005/12/27 APPROVED BY DATE DQLUO 2005/12/27	SCALE --- DESIGN UNITS METRIC	THIRD ANGLE PROJECTION	TITLE HDMI(F) TO P&D ADAPTER
	DESCRIPTION REV	DRAFT WHERE APPLICABLE MUST REMAIN WITHIN DIMENSIONS	MATERIAL NO. ENTER PART	DOCUMENT NO. SD-887645900	SHEET NO. 1 OF 00		
	SIZE A 4	THIS DRAWING CONTAINS INFORMATION THAT IS PROPRIETARY TO MOLEX INCORPORATED AND SHOULD NOT BE USED WITHOUT WRITTEN PERMISSION					
	MOLEX INCORPORATED						

6 5 4 3 2 1

7 6 5 4 3 2 1

E

E

D

D

C

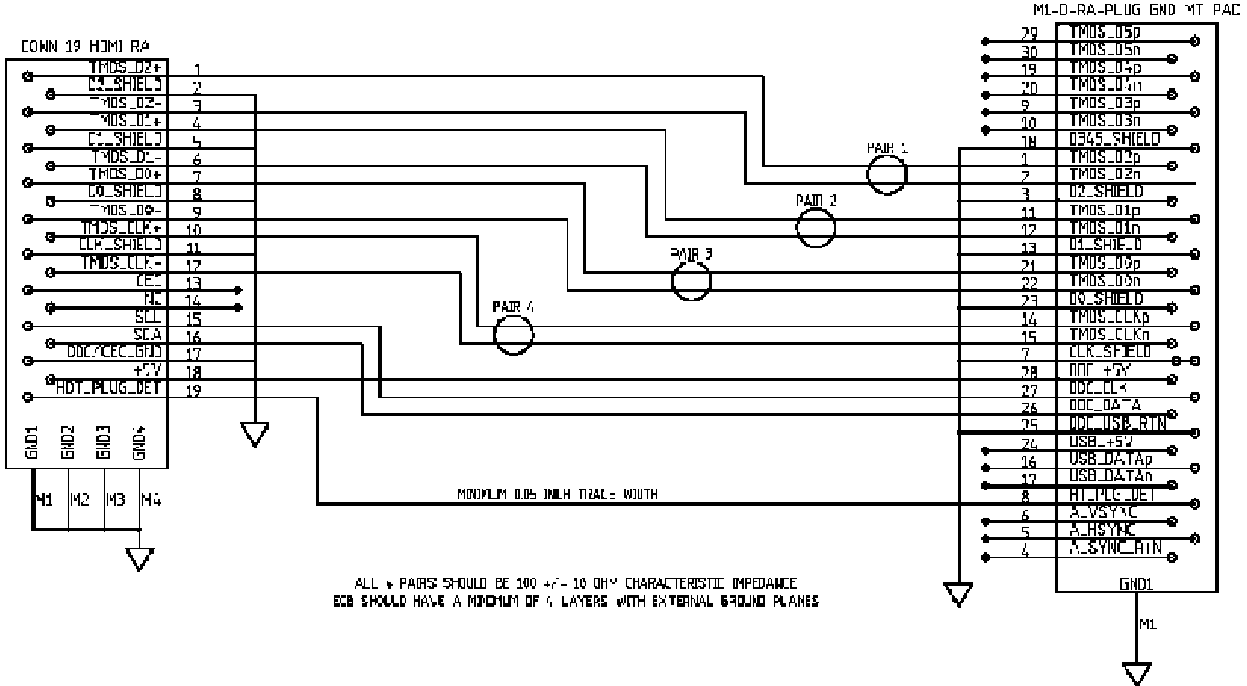
C

B

B

A

A



ALL 4 PAIRS SHOULD BE 100 +/- 10 OHM CHARACTERISTIC IMPEDANCE
PCB SHOULD HAVE A MINIMUM OF 4 LAYERS WITH EXTERNAL GROUND PLANES

ENTER DESCRIPTION EC NO: DG2006-0164 DRWN: JFZHENG CHKD: APPR: DQLUO	DESCRIPTION 2006/01/20 2006/01/20 2006/08/28	QUALITY SYMBOLS	GENERAL TOLERANCES (UNLESS SPECIFIED)	DIMENSION STYLE	SCALE	DESIGN UNITS	THIRD ANGLE PROJECTION	
		▽=0 □=0	mm INCH 4 PLACES ± --- ± --- 3 PLACES ± --- ± --- 2 PLACES ± --- ± --- 1 PLACE ± --- ± --- ANGULAR ±1/2°	MM ONLY	---	METRIC	▽ □ THIRD ANGLE PROJECTION	
			DRAFT WHERE APPLICABLE MUST REMAIN WITHIN DIMENSIONS	DRAWN BY DATE JFZHENG 2005/12/27 CHECKED BY DATE JFZHENG 2005/12/27 APPROVED BY DATE DQLUO 2005/12/27	TITLE	HDMI(F) TO P&D ADAPTER		
				MATERIAL NO. DOCUMENT NO. SHEET NO. ENTER PART SD-887645900 2 OF 2	MOLEX INCORPORATED			

6 5 4 3 2 1