

MATERIALS AND FINISHES

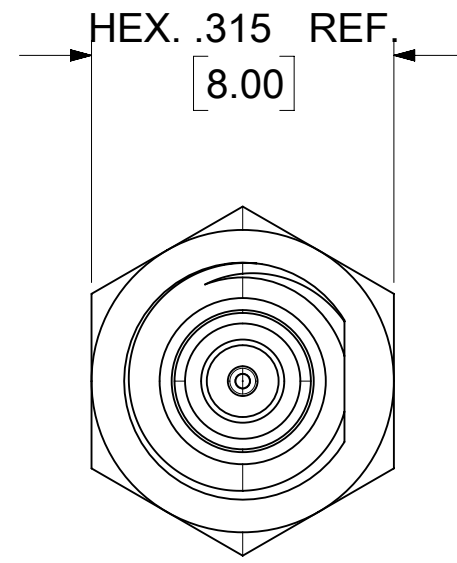
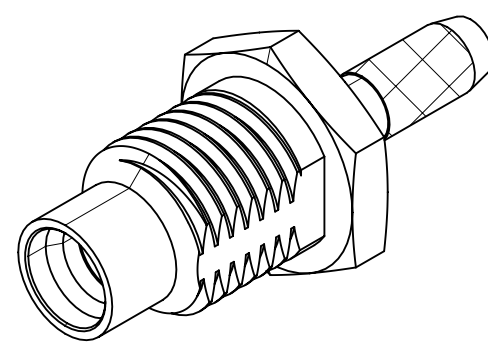
BODY, JAM NUT, CRIMP TUBE BRASS
PLATED GOLD

CENTER CONTACT BRASS
PLATED GOLD

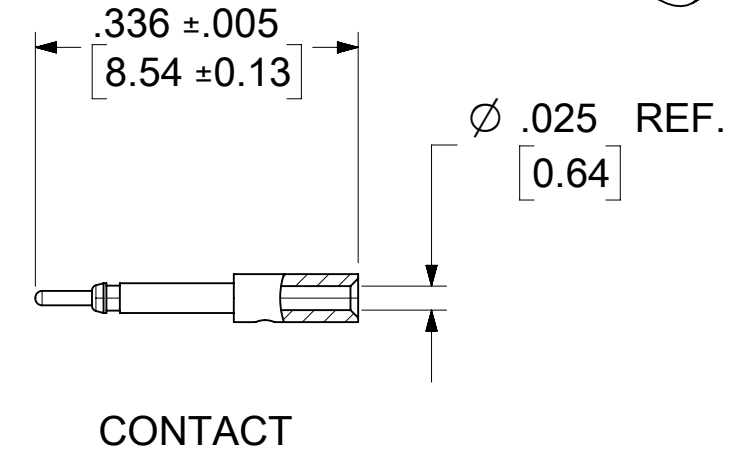
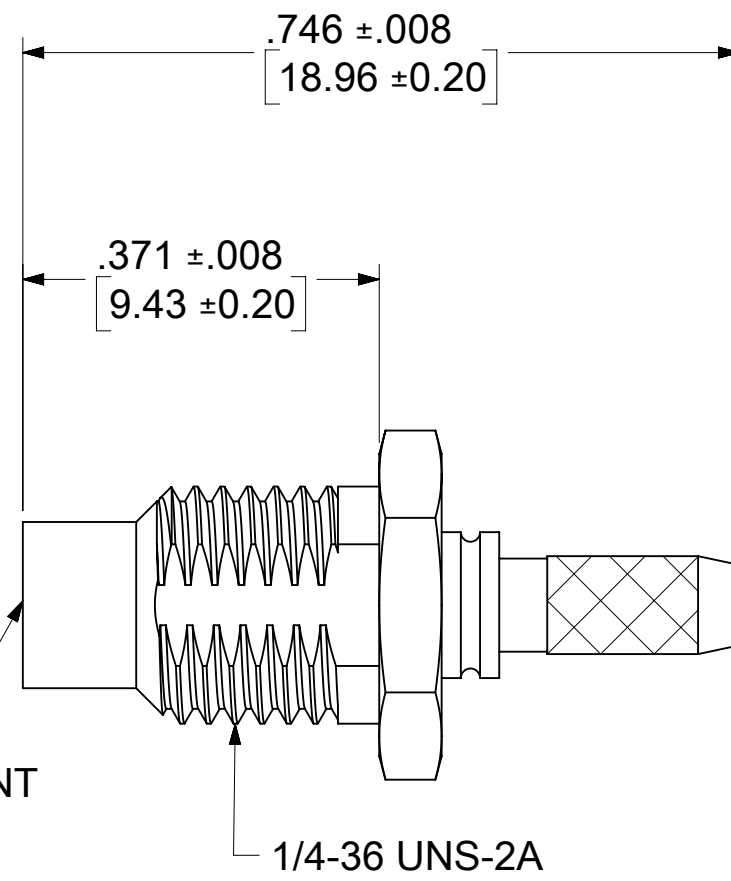
INSULATOR TEFLON

LOCKWASHER PHOSPHER BRONZE
PLATED GOLD

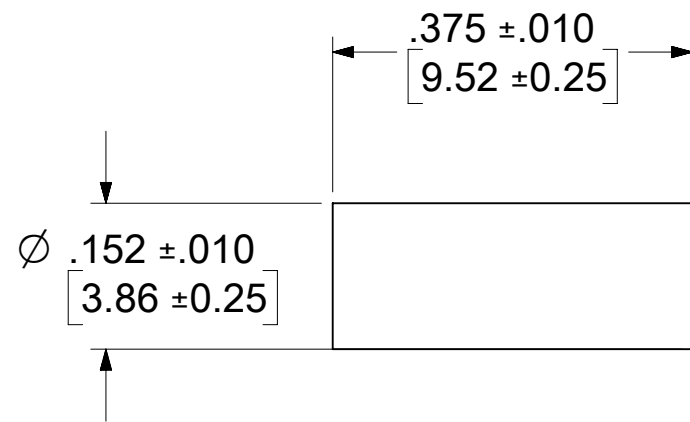
SHRINK TUBE BLACK



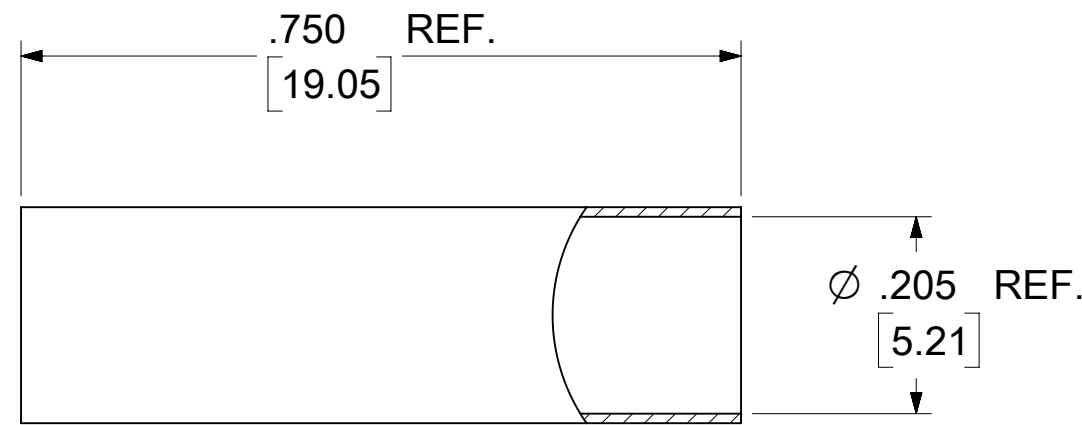
SMP PLUG
LIMITED DETENT
INTERFACE



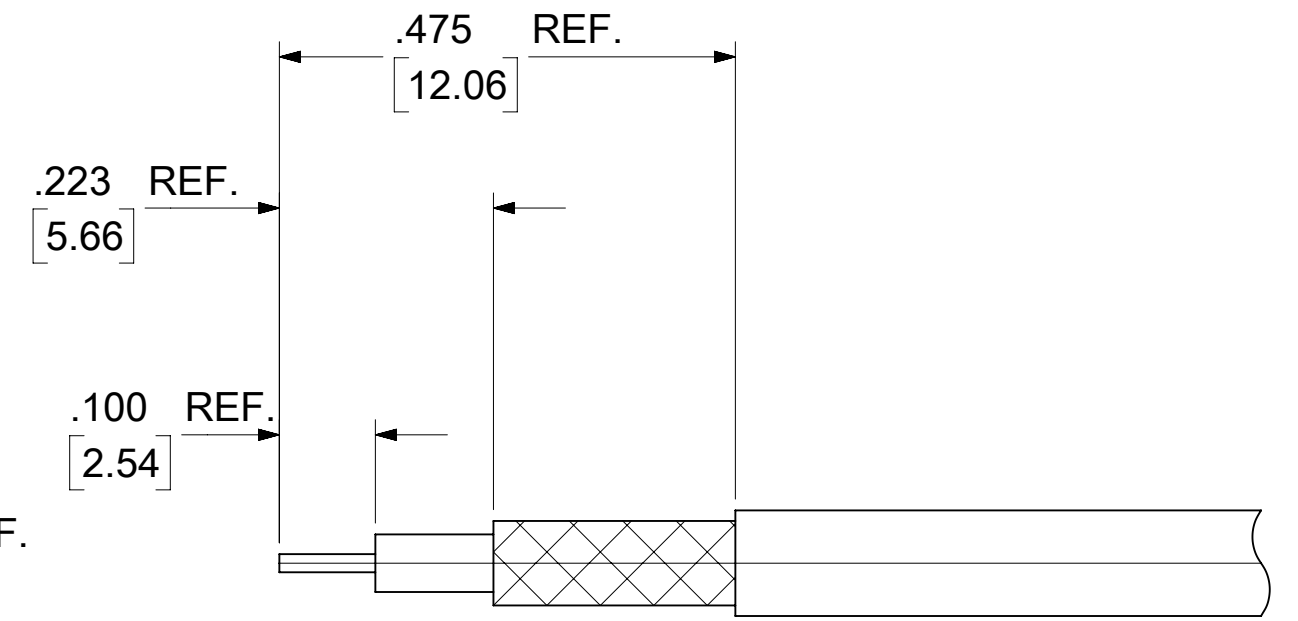
CONTACT



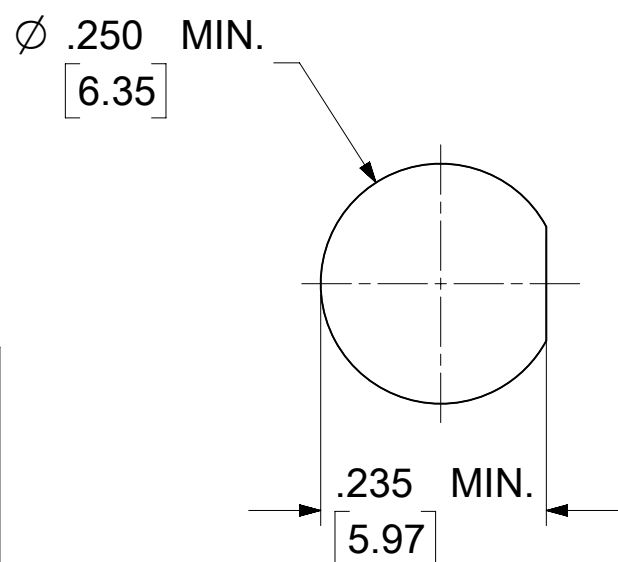
CRIMP TUBE



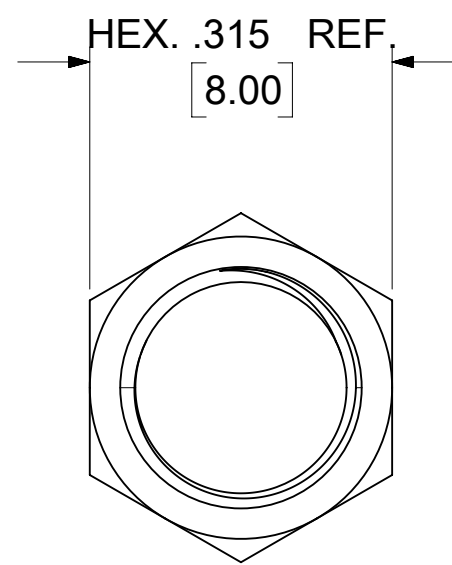
SHRINK TUBE



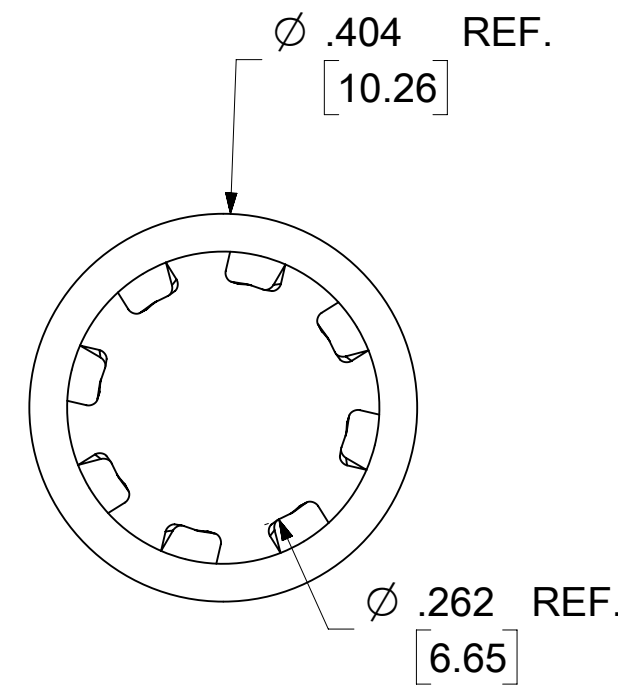
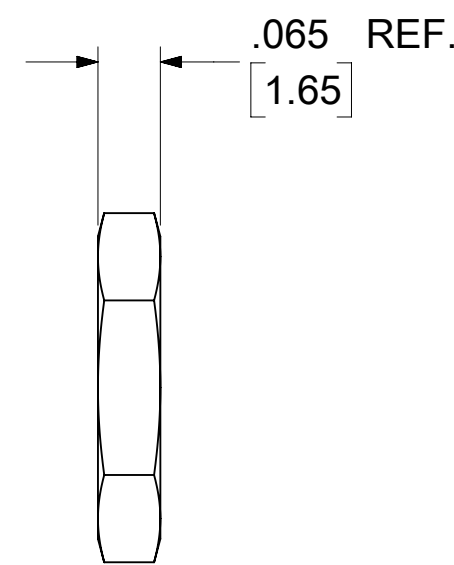
RECOMMENDED CABLE STRIP



RECOMMENDED
MOUNTING HOLE
THICKNESS 3.00MM MAX.



JAM NUT



LOCKWASHER

LABEL FORMAT FOR
73406-0071

PART NUMBER: 73406-0070
ORDER NUMBER: 73406-0071
MOLEX
DATE: YYWW

73406-0071	73406-0070 ONE PER BAG	895420470
73406-0070	73406-0070 TRAY	PK-89542-006
PART NO.	DESCRIPTION	PACKING SPEC

PS-89675-3320	PRODUCT SPECIFICATION
SPECIFICATION	DESCRIPTION

DOCUMENT STATUS	P1	RELEASE DATE	2022/08/30 02:55:02
-----------------	----	--------------	---------------------

FUNCTIONAL SYMBOLS	THIS DRAWING CONTAINS INFORMATION THAT IS PROPRIETARY TO MOLEX ELECTRONIC TECHNOLOGIES, LLC AND SHOULD NOT BE USED WITHOUT WRITTEN PERMISSION									
FA = 0	DIMENSION UNITS	SCALE	CURRENT REV DESC: ADD 73406-0071 PER EWR# 15321-C							
EC = 0	INCH/MM	NTS	EC NO: 718723 DRWN: ELIN 2022/08/22 CHK'D: YCHENG 2022/08/30 APPR: YCHENG 2022/08/30 INITIAL REVISION: DRWN: CLLI 2007/03/23 APPR: MHUANG 2007/03/26							
EP = 0	GENERAL TOLERANCES (UNLESS SPECIFIED)									
ANGULAR TOL ± 2.0°			4 PLACES ±		3 PLACES ±		2 PLACES ±		1 PLACE ±	
DRAFT WHERE APPLICABLE MUST REMAIN WITHIN DIMENSIONS			THIRD ANGLE PROJECTION		DRAWING		SERIES		MATERIAL NUMBER	
			C-SIZE		73416		SD-73406-007		SEE TABLE	
			CUSTOMER		GENERAL MARKET		SHEET NUMBER		1 OF 1	

molex

SMP PLUG, LIMITED DETENT
BLKHD, RG316 50 OHMS, SMP-PC

PRODUCT CUSTOMER DRAWING

DOCUMENT NUMBER	DOC TYPE	DOC PART	REVISION
SD-73406-007	PSD	001	A1