

MATERIALS AND FINISHES:

BODY, JAM NUT: BRASS
FINISH: SEE TABLE

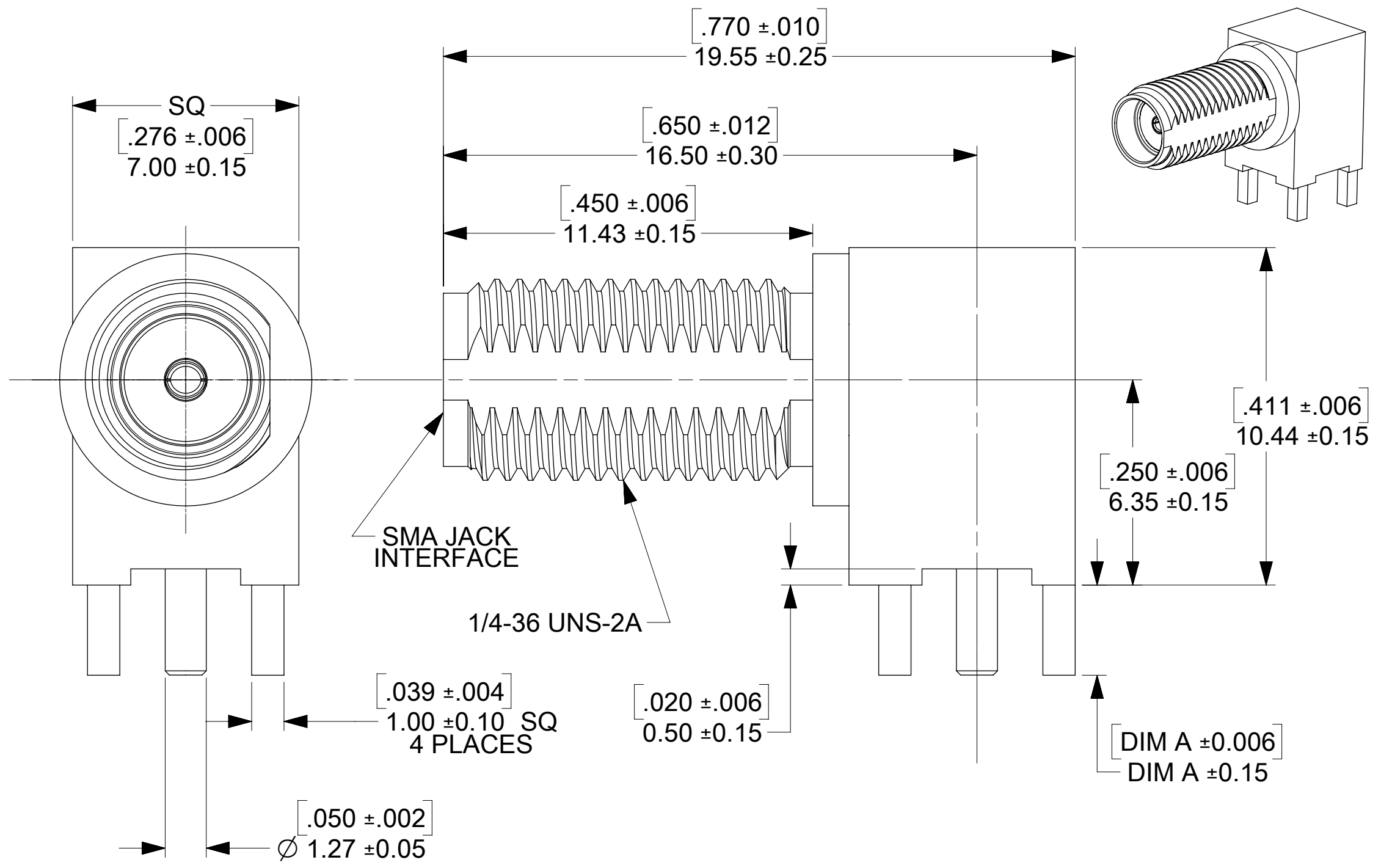
CENTER CONTACT: BERYLLIUM COPPER
PLATED GOLD

INSULATOR: TEFLON

LOCKWASHER: PHOSPHOR BRONZE
FINISH: SEE TABLE

ELECTRICAL REQUIREMENTS:

- VOLTAGE STANDING WAVE RATIO
 - 1.1(MAX) @0-6GHz.
 - 1.5(MAX) @6-12GHz.
 - 1.8(MAX) @12-18GHz.
- RF INSERTION LOSS:
 - 0.1(MAX) @0-6GHz.
 - 0.4(MAX) @6-12GHz.
 - 0.7(MAX) @12-18GHz.



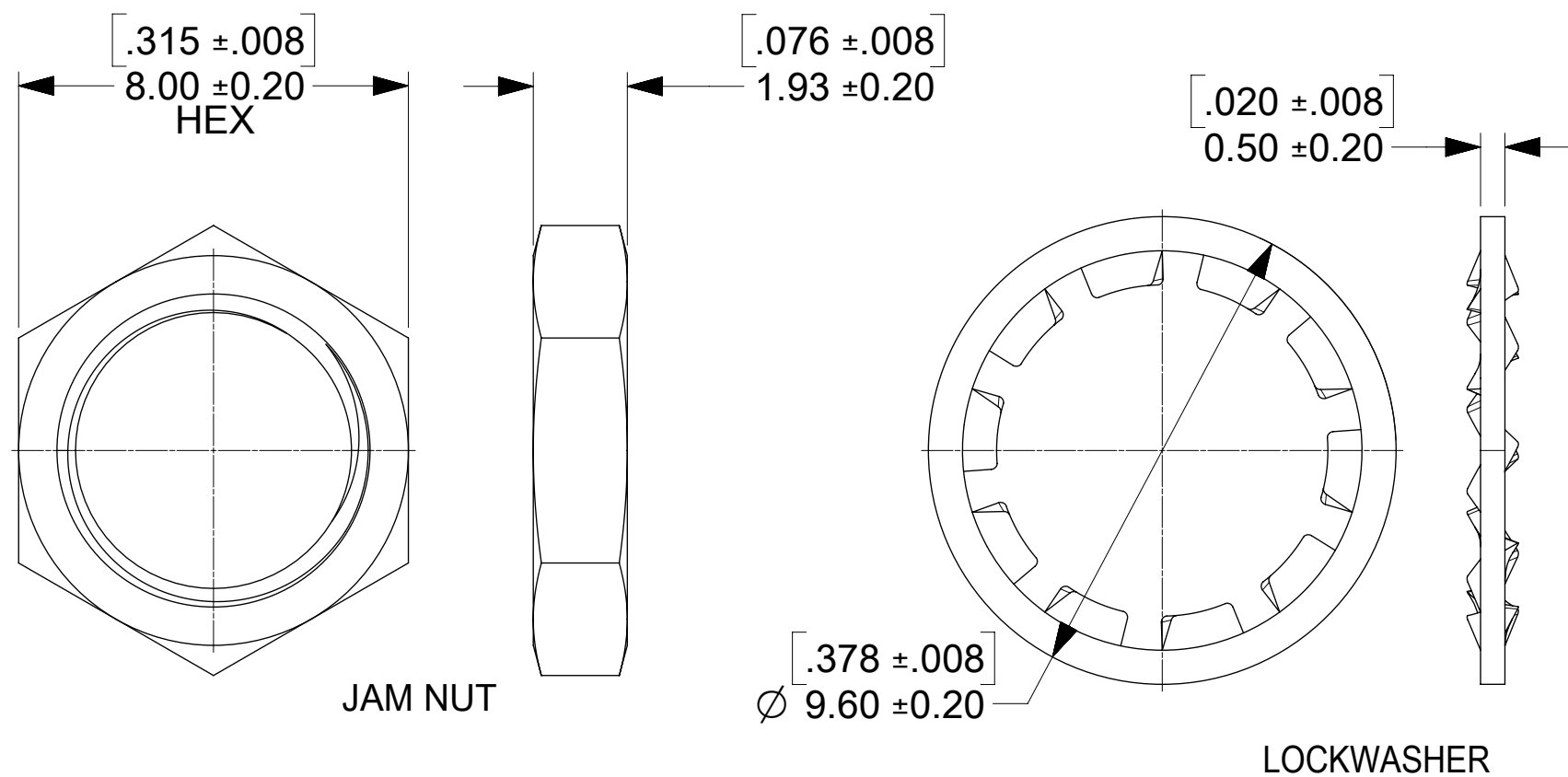
SEE SD-73251-496 FOR PART NO. CONTINUATION

73251-2209	GOLD FLASH / STANDARD TRAY	3.94	.155
73251-2208	GOLD FLASH/STANDARD TRAY W/O WASHER AND NUT	3.94	.155
73251-2207	73251-2201 PACKAGED ONE PER BAG	2.79	.110
73251-2206	SAME AS 73251-2201 EXCEPT COMMERCIAL CONTACT	2.79	.110
73251-2205	SAME AS 73251-2200 EXCEPT COMMERCIAL CONTACT	2.79	.110
73251-2204	GOLD FLASH/STANDARD TRAY W/O WASHER AND NUT	2.79	.110
73251-2203	GOLD FLASH / STANDARD TRAY (54 CAVITY)	2.79	.110
73251-2202	73251-2201 PACKAGED IN SMALL TRAY (20 CAVITY)	2.79	.110
73251-2201	GOLD / STANDARD TRAY	2.79	.110
73251-2200	NICKEL / STANDARD TRAY	2.79	.110
PART NO.	PLATING (BODY, NUT, LOCKWASHER) AND PACKAGING	mm	IN

DIM A

RECOMMENDED PCB LAYOUT

RECOMMENDED PANEL CUTOUT



PS-89675-368	SOLDER SPEC PROFILE
PS-89675-346	ELECTRO/MECH PERFORM.
SPECIFICATION	DESCRIPTION

FUNCTIONAL SYMBOLS	THIS DRAWING CONTAINS INFORMATION THAT IS PROPRIETARY TO MOLEX ELECTRONIC TECHNOLOGIES, LLC AND SHOULD NOT BE USED WITHOUT WRITTEN PERMISSION			
	DIMENSION UNITS	SCALE		
$\frac{F}{A} = 0$	mm	NTS	EC NO: 675413	
$\frac{F}{C} = 0$	GENERAL TOLERANCES (UNLESS SPECIFIED)		DRWN: CWEI02 2021/08/24	
$\frac{F}{P} = 0$	ANGULAR TOL \pm °		CHK'D: YCHENG 2021/08/26	
DIVISIONAL SYMBOLS	4 PLACES	\pm	APPR: YCHENG 2021/08/26	
	3 PLACES	\pm	INITIAL REVISION:	
2 PLACES	\pm	DRWN: AROBERTSON 2012/11/21	DOCUMENT NUMBER	
1 PLACE	\pm	APPR: JWIENER 2012/11/21	SD-73251-220	
0 PLACES	\pm		DOC TYPE	
DRAFT WHERE APPLICABLE MUST REMAIN WITHIN DIMENSIONS		THIRD ANGLE PROJECTION	CUSTOMER	
			GENERAL MARKET	
		DRAWING	SHEET NUMBER	
		C-SIZE	1 OF 1	
		SERIES		
		73251		
		MATERIAL NUMBER		
		SEE TABLE		