

1 2 3 4 5 6 7 8

F

E

D

C

B

A

F

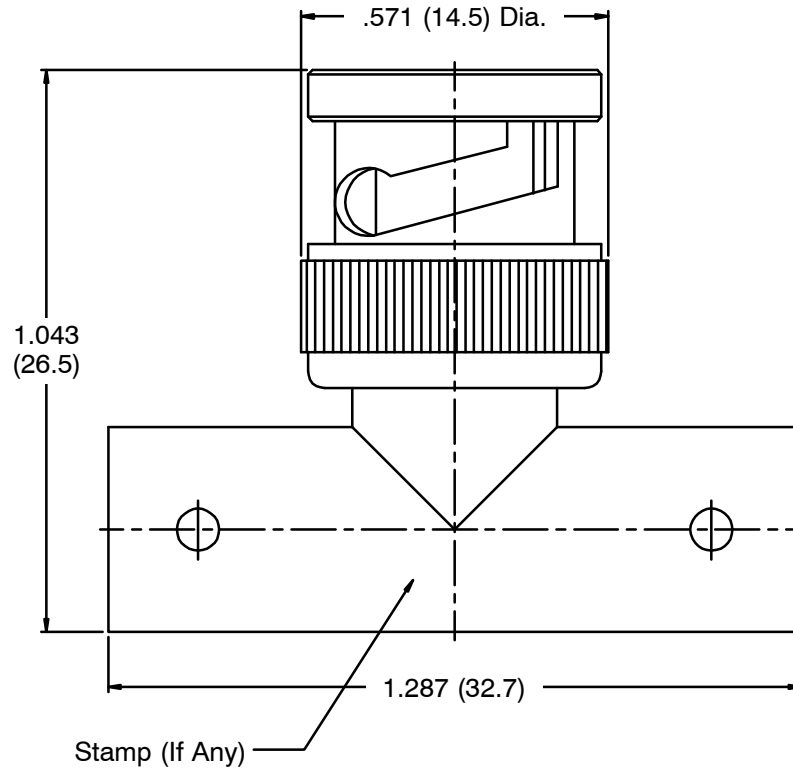
E

D

C

B

A



NOTES: Finish (Plating Thickness in Micro-inches)
 1. Brass
 2. Nickel Pl. 100 Min. Thick over Copper Pl. 50 Min. Thick
 3. Gold Pl. 3 Min Thick over Nickel Pl. 50 Min. Thick over Copper Pl. 50 Min. Thick
 4. DELRIN
 5. Zinc Diecast

11	Gasket	Rubber	Red	1	
10	Lock Ring	Iron	Note 2	1	
9	Spring	SK5	Note 2	1	
8	Washer	Iron	Note 2	1	
7	Insulator	Note 4	Natural	1	
6	Contact Pin	Note 1	Note 3	1	
5	Washer	Note 1	Note 2	1	
4	Insulator	Note 4	Natural	1	
3	Contact Pin	Note 1	Note 3	1	
2	Body	Note 5	Note 2	1	
1	Shell	Note 1	Note 2	1	

Dimensions are in Inches
 Unless Otherwise Specified
 Tolerances
 0.5-6 = ±0.2
 6-30 = ±0.4
 30-120 = ±0.6
 120-315 = ±1
 315-1000 = ±1.6
 1000-2000 = ±2.4

Part No.	
Approved	Date 12-18-2018
Checked	Date 12-18-2018
Drawn	Date 12-18-2018

NTE Electronics	
Title BNC "T" Adapter Jack-Plug-Jack	
Drawing No. 06-B024	
File No.	

RoHS Compliant

No.	Description	Material	Finish	Q'ty	Drawing No.	Scale	3/1	Issue	A
-----	-------------	----------	--------	------	-------------	-------	-----	-------	---

1 2 3 4 5 6 7 8