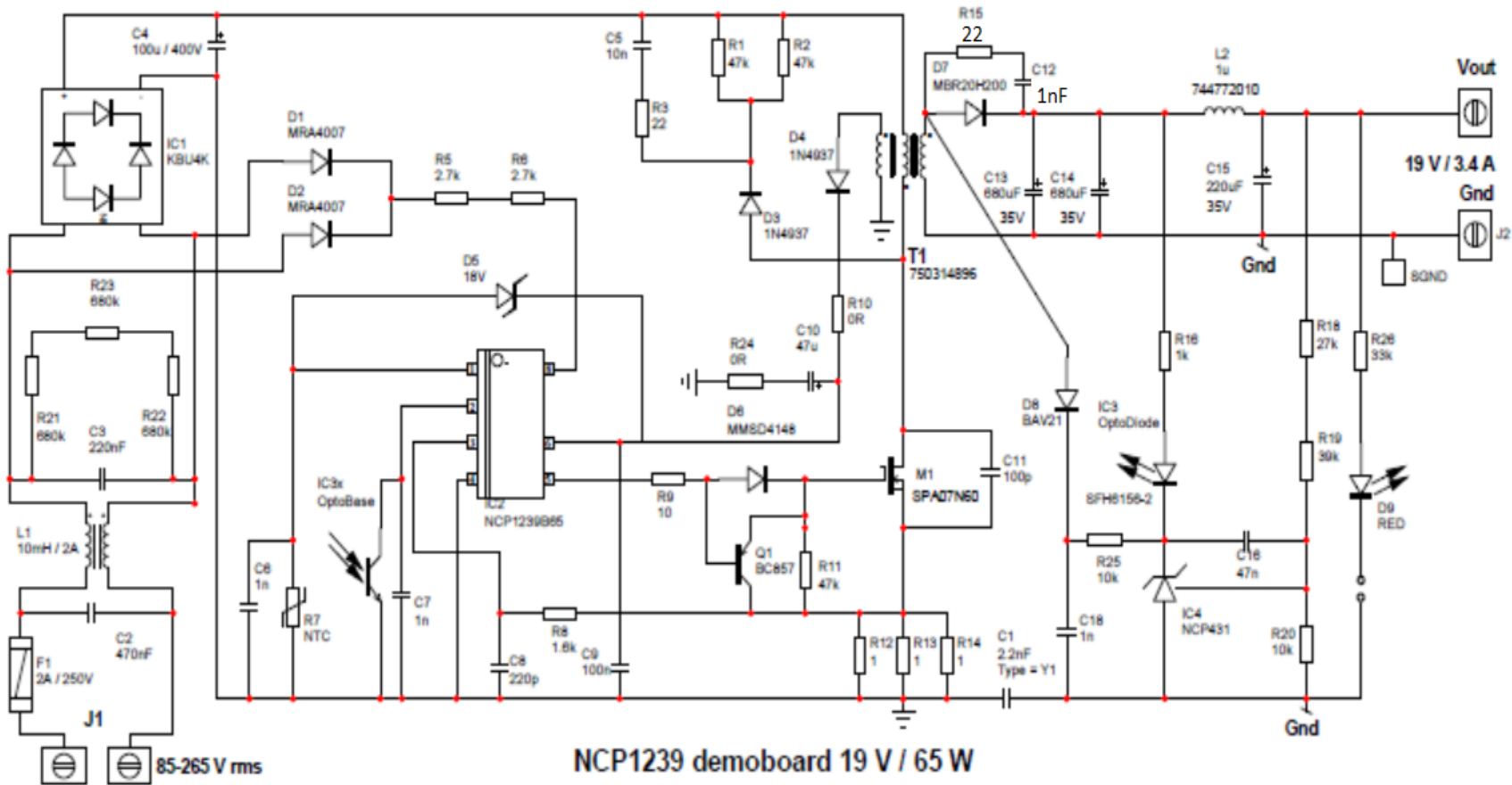


Schematic for the NCP1239B65WGEVB Evaluation Board



NCP1239 demoboard 19 V / 65 W

ON Semiconductor