

Light is OSRAM

01.07.2020

OS-IN-2020-020

Standardization of improved MCB substrate for New OSRAM OSTAR® Projection Power

Objective	Standardization of improved MCB substrate for OSRAM OSTAR® Projection Power		
Products affected	LE A P1W LE A P2W LE A P2W 01 LE A P3W 01	LE B P1W LE B P2W LE B P2W 01 LE B P3W 01	LE CG P1A LE CG P2A LE CG P2A 01 LE CG P3A 01
Application	Home - Projection Home LED & Laser Office - Projection Professional LED & Laser		
Background	<ul style="list-style-type: none">• Product quality improvement due to dielectric layer delamination• To prevent failure at customer's assembly processes		
Time Schedule	Start of delivery CW24, 2020		
Assessment	No change in fit, form, function and reliability of affected products No change in datasheet of affected products		

Please direct your inquiry to your local Sales office.

OSRAM Opto Semiconductors
GmbH

Head Office:

Leibnizstrasse 4
93055 Regensburg, Germany
Phone +49 941 850-5
Fax +49 941 850-1002
www.osram-os.com



OS-IN-2020-020

**Standardization of improved MCB substrate
for OSRAM OSTAR® Projection Power**

Customer information package

OS QM CQM ICI | 01.07.2020

Light is OSRAM

OS-IN-2020-020

Overview



	Page
1. Reason for change	03
2. Description of change	04
3. Affected Products	05
4. Time schedule	06

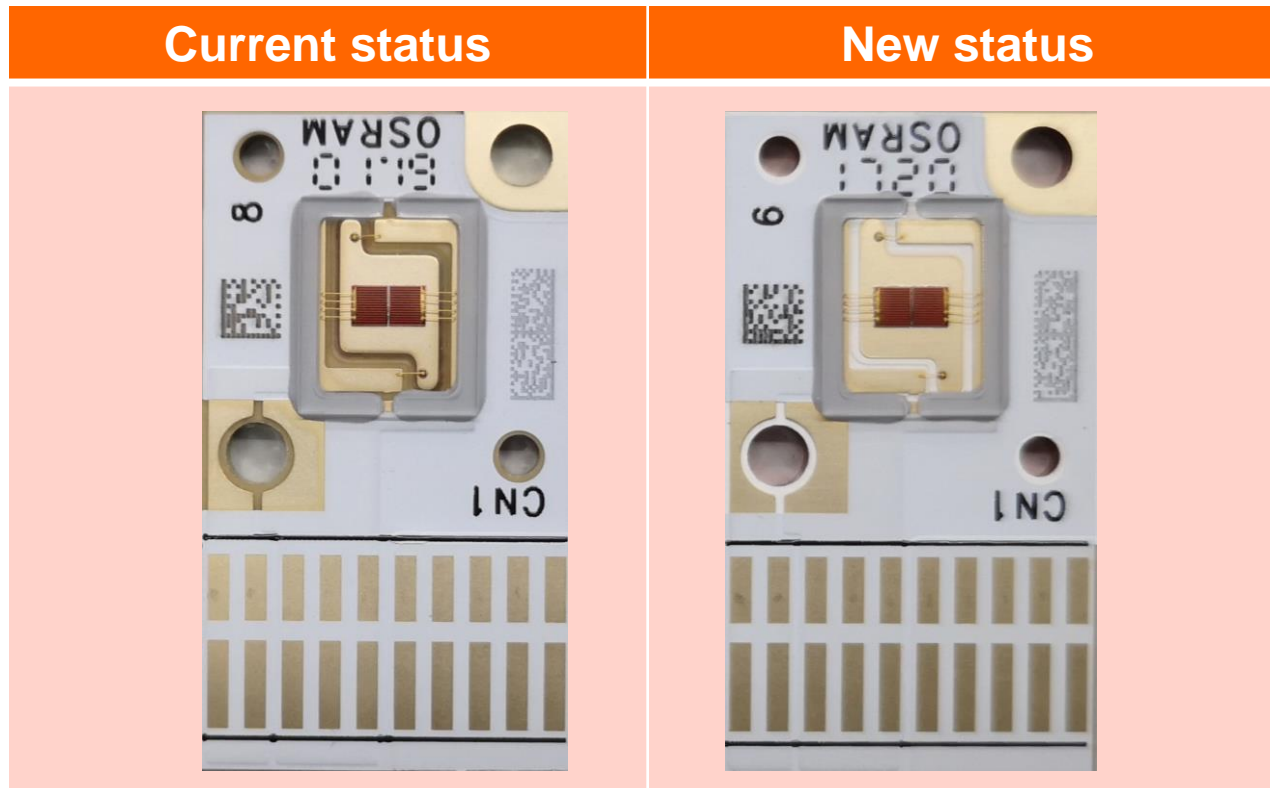
1. Reason for change

- Product quality improvement due to dielectric layer delamination
- To prevent failure at customer's assembly processes

2. Description for change

- No change in fit, form, function and reliability of affected products
- No change in datasheet of affected products

Description of change



3. Affected Products

Product name		
LE A P1W	LE B P1W	LE CG P1A
LE A P2W	LE B P2W	LE CG P2A
LE A P2W 01	LE B P2W 01	LE CG P2A 01
LE A P3W 01	LE B P3W 01	LE CG P3A 01

4. Time schedule

Start of delivery

Date code: 2024

QUALITY
FIRST

Thank you.