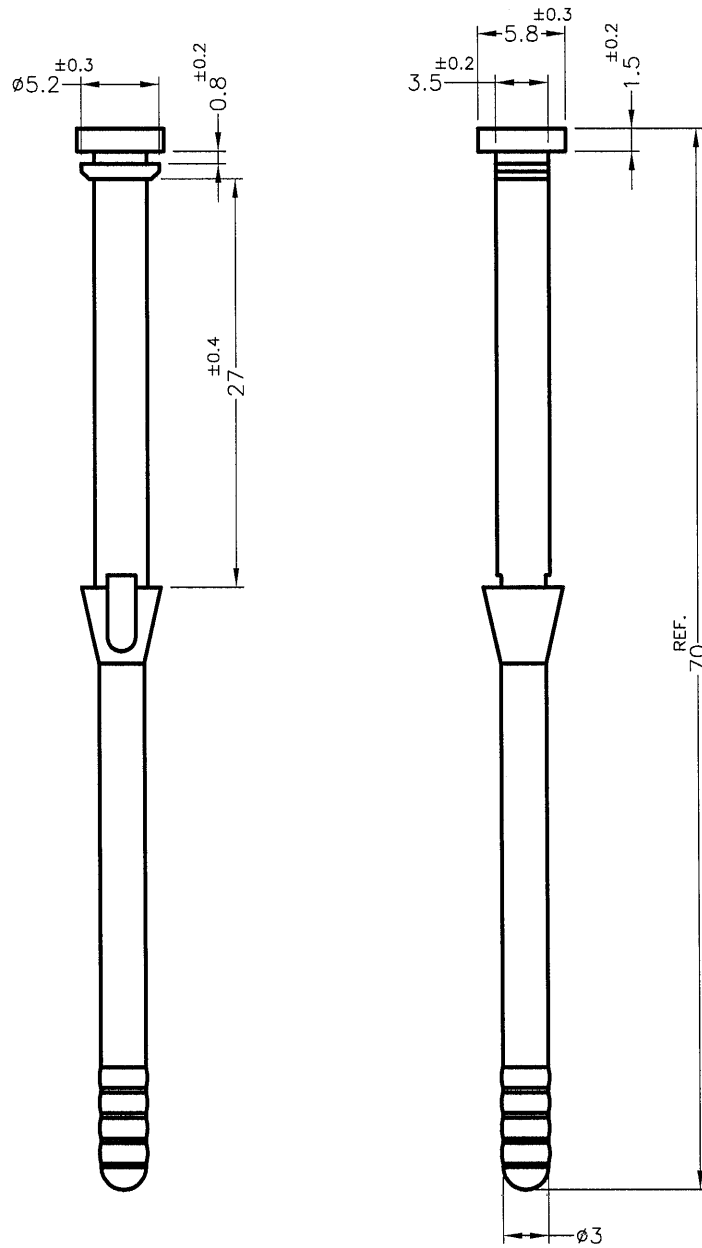

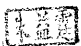


REVISIONS			
REV	DESCRIPTION	DATE	BY



PART NO.	HARDNESS
BUB-70G(B)	45°±10°
BUB-70H	55°±10°

NOTE: MADE OF EQUIVALENT MATERIAL.  
均可使用同等材質.

 <p>康揚企業股份有限公司 KANG YANG HARDWARE ENTERPRISE CO., LTD. 康揚塑膠(東莞)有限公司 KANG YANG PLASTIC(DONG GUAN) CO., LTD. 康哲電腦配件(吳江)有限公司 KANG CHE COMPUTER COMPONENTS(WUJIANG) CO., LTD.</p>		TITLE	FAN SNAP RIVET	SPEC. DWG.	
		MATERIAL	TPE	DATE	2007.03.28
		HARDNESS	SEE ABOVE	DRAWN	BUNNY
		COLOR	BLACK	CHECK	
PART NUMBER	SEE ABOVE	DRAWING NUMBER	BUB-70	UNLESS OTHERWISE SPECIFIED TOLERANCE	SEE ABOVE
SIZE	A4	SCALE	2:1	UNIT	mm
REV	C	APPROVED	