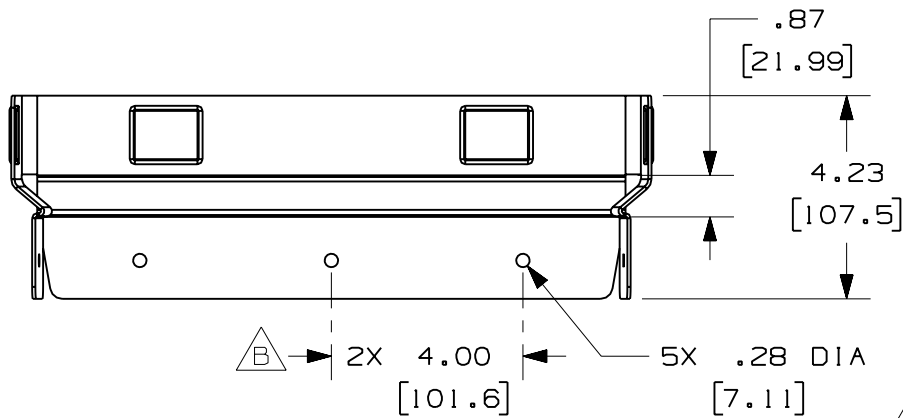


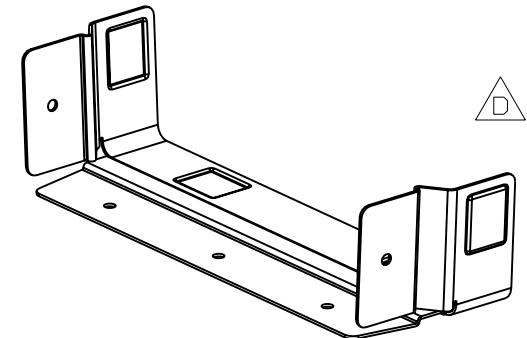
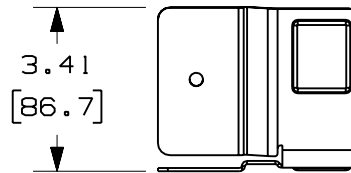
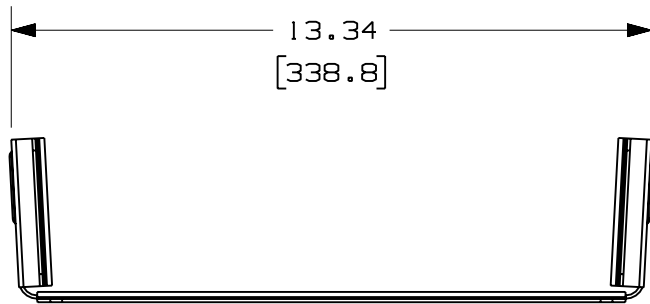
THIS COPY IS PROVIDED ON A RESTRICTED BASIS AND IS NOT TO BE USED IN ANY WAY DETRIMENTAL TO THE INTERESTS OF PANDUIT CORP.

PANDUIT PART NUMBER	WEIGHT
FRNWT12	1.72 LB/EACH (781g/EACH)



NOTES:

1. SEE CURRENT CATALOG FOR ADDITIONAL PART SUFFIXES TO INDICATE PACKAGE QUANTITY.
2. THE FIBERRUNNER 12x4 TO NEWTON 4x12 FIBER CABLE MANAGEMENT SYSTEM ADAPTER ATTACHES TO THE NEWTON 4x12 SOLID WALL CHANNEL USING THE SUPPLIED HARDWARE LISTED BELOW. THE ADAPTER ACCEPTS THE FIBERRUNNER 12x4 QUIKLOCK COUPLER WHICH THEN ALLOWS FOR THE ATTACHMENT OF THE FIBERRUNNER 12x4 CABLE ROUTING SYSTEM.
3. THE FIBERRUNNER 12x4 TO NEWTON 4x12 FIBER CABLE MANAGEMENT SYSTEM ADAPTER INCLUDES:
ONE (1) ADAPTER,
FIVE (5) 1/4-20x5/8" NYLON COMBINATION BINDING HEAD MACHINE SCREWS,
FIVE (5) 1/4-20 NYLON DECO WING NUTS.
4. FINISH COLOR: BLACK
5. DIMENSIONS IN PARENTHESIS ARE IN METRIC.



ENG. REF.: D38957BE_DC_FRNWT12_02.prt

CAD FILENAME/LAYERS: FRNWT12.pdf

REV	DATE	BY	CHK	DESCRIPTION	ECN	R	CUST	SUP	GMBH
3	7-12-06	MSO	RN	G. REVISED PART WEIGHT F. REVISED DRAWING TITLE.	38957-06	RN	RN		
-	-----	---	---	E. REVISED GENERAL NOTE NUMBER 3.	-----	--	--		
2	5-3-05	MSO	RPA	D. REVISED PART GEOMETRY. C. REVISED DRAWING TITLE.	38957-06	RN	RN		
1	1-17-05	MSO	RPA	B. REVISED DIMENSION. A. REVISED DRAWING TITLE.	38957-06	RN	RN		
R	11-17-04	MSO	RPA	RELEASED TO PRODUCTION	38957-06	RN	RN		

PANDUIT CORP TINLEY PARK, ILLINOIS

FIBERRUNNER 12x4 TO NEWTON 4x12 FIBER CABLE MANAGEMENT SYSTEM ADAPTER (FRNWT12)

ACF CUSTOMER DRAWING

UNLESS OTHERWISE SPECIFIED, DIMENSIONAL TOLERANCES ARE:
 (.X) ± (.XXX) ±
 (.XX) ± .03 (.8) ANGLES ±

UNLESS OTHERWISE SPECIFIED, ALL DIMENSIONS ARE GIVEN IN INCHES, THIRD ANGLE PROJECTION.

DRAWN BY: MSO
 DATE: 11-17-04
 CHK'D: RPA

MAT'L: STEEL

SCALE: NONE

DRAWING NO.: 38957-06
 DWG SIZE: A