

SC
MULTIMODE FIBER OPTIC CONNECTOR

Outer plug body : color beige

Series

F728

Packaging

100

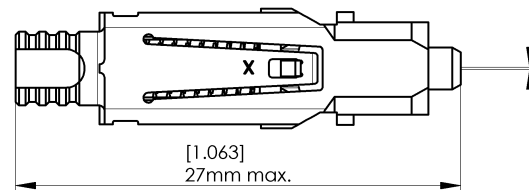
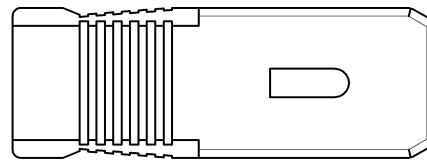
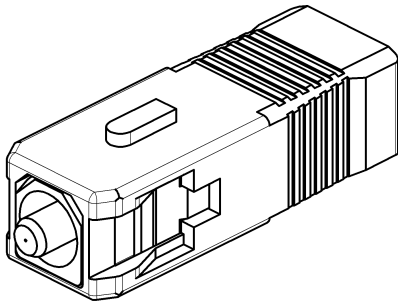
Issue

20Aug.15

Page

1/1

Original dimensions in mm [inch]


GENERAL

- Type** : IEC 61754-4 type SC
 Multimode, zirconia ceramic ferrule (20 mm pre-radius)
 Push-pull latching system, floating ferrule
 360° tunable (adjustable to 6 positions for optimization of random insertion loss)
- Ferrule size** : 128 μm
Fiber size : 50/125; 62.5/125 μm , multimode
- Cable** : \varnothing (0.9mm- 0.6/1 -0.8/1.6) buffered fiber – \varnothing (2 to 3) tight or semi loose structure
- Cabling proc.** : Refer to 503 08 400 (D 6121 oe), assembly instruction manual

CHARACTERISTICS (Dependant on fiber or cable construction)

- Optical** : Attenuation at 850 and 1310nm
- | | STD | |
|--------------------|----------------|--|
| Mean | < 0.2 dB | (Attenuation plug mated with reference plug IEC 61300-3-4) |
| Standard deviation | 0.08 dB | |
| Max | < 0.75 dB, 95% | (Attenuation of random mated connectors IEC 61300-3-34) |
| Mean | 0.25 dB | |
| Repeatability | 0.10 dB | (Maximum loss variation, IEC 61300-2-2) |
| Return loss | > 20 dB | (IEC 61300-3-6) |
- Mechanical** : Mechanical endurance 500 matings
 Cable retention 100N (depending on cable construction)
- Environmental** : Temperature range (storage/operating) -40 to +85 °C

CREATION								RADIALL [®]	
N°:									101, rue P. Hoffmann
PEN/EP: CAT.									93116 ROSNY/BOIS
Name: PB	20 Aug. 15	Color updated		CC					FRANCE
Date: 11 Aug. 99	31 Dec. 10	Mise à jour performances optiques et mécaniques		SP	HD				Tel : (33) 0149353535
Appr.: LV	Issue			Revisions	Name	Appr.			Fax : (33) 0148546363