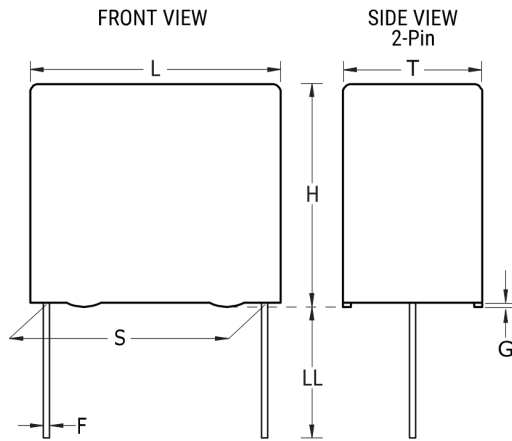


F462FC104K1K6Z

Not for New Design

F462, Film, Metallized Polypropylene, General Purpose, 0.1 uF, 10%, 1600 VDC, 85°C, Lead Spacing = 27.5mm



Click [here](#) for the 3D model.

Dimensions

L	31.5mm -0.7mm
H	20mm -0.7mm
T	1mm -0.7mm
S	27.5mm +/-0.4mm
LL	4mm +2mm
F	0.8mm +/-0.05mm
G	0.5mm NOM

Packaging Specifications

Packaging	Pizza, Box
Packaging Quantity	300

General Information

Series	F462
Dielectric	Metallized Polypropylene
Style	Radial
Features	MKP, Pulse
RoHS	Yes
Lead	Cut/Short
AEC-Q200	No
Component Weight	8 g
Miscellaneous	The Rated Voltage Decreases 2%/C Between +85C And +105C (1.25%/C For AC). ClimCat: 55/105/56.
Notes	Series Replaced by R75.

Specifications

Capacitance	0.1 uF
Capacitance Tolerance	10%
Voltage AC	500 VAC
Voltage DC	1600 VDC, 960 VDC (105C)
Temperature Range	-55/+105°C
Rated Temperature	85°C
Dissipation Factor	0.04% 1kHz, 0.06% 10kHz, 0.25% 100kHz
Insulation Resistance	100 GOhms
Max dV/dt	500 V/us
Inductance	6 nH