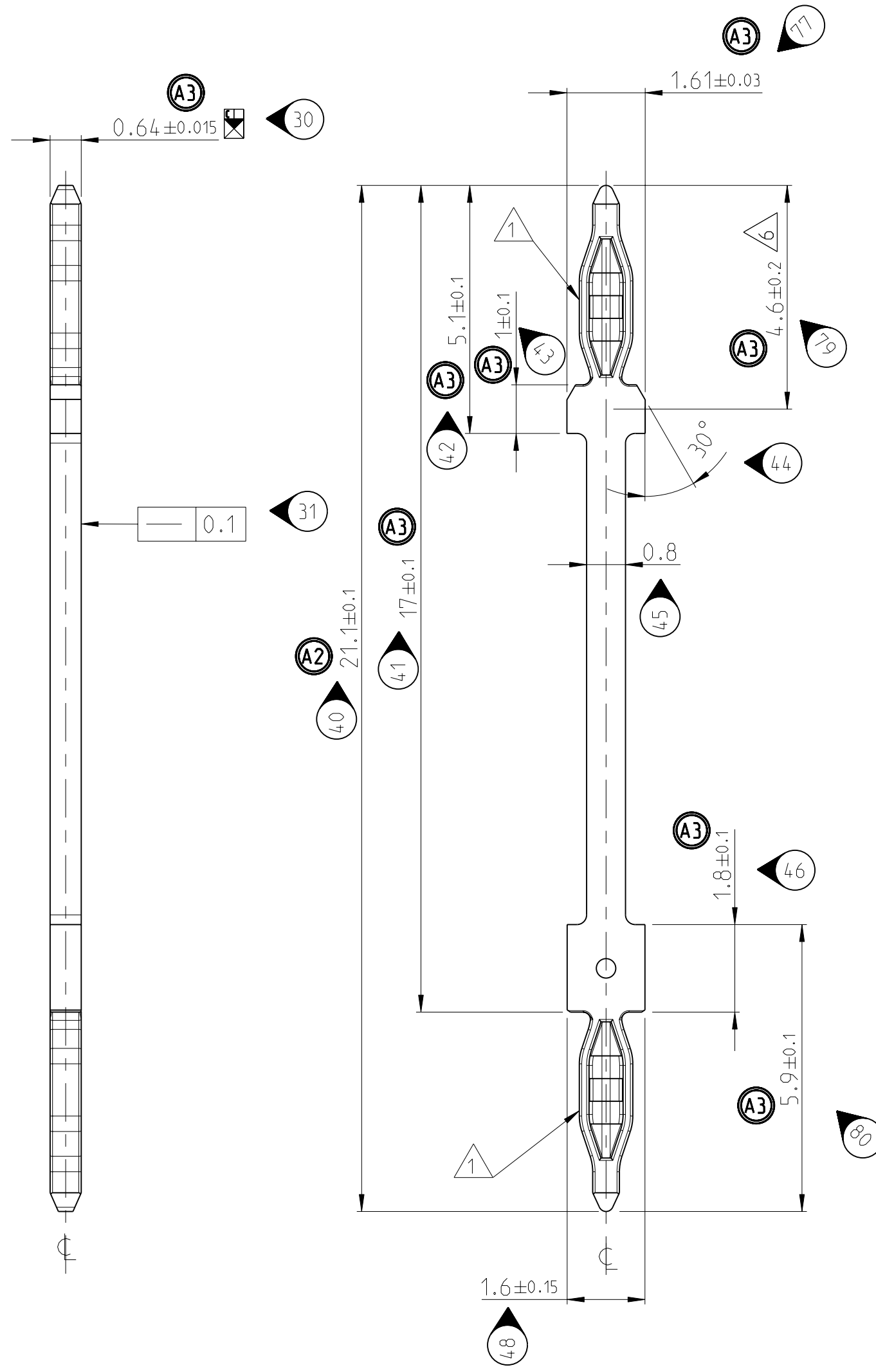
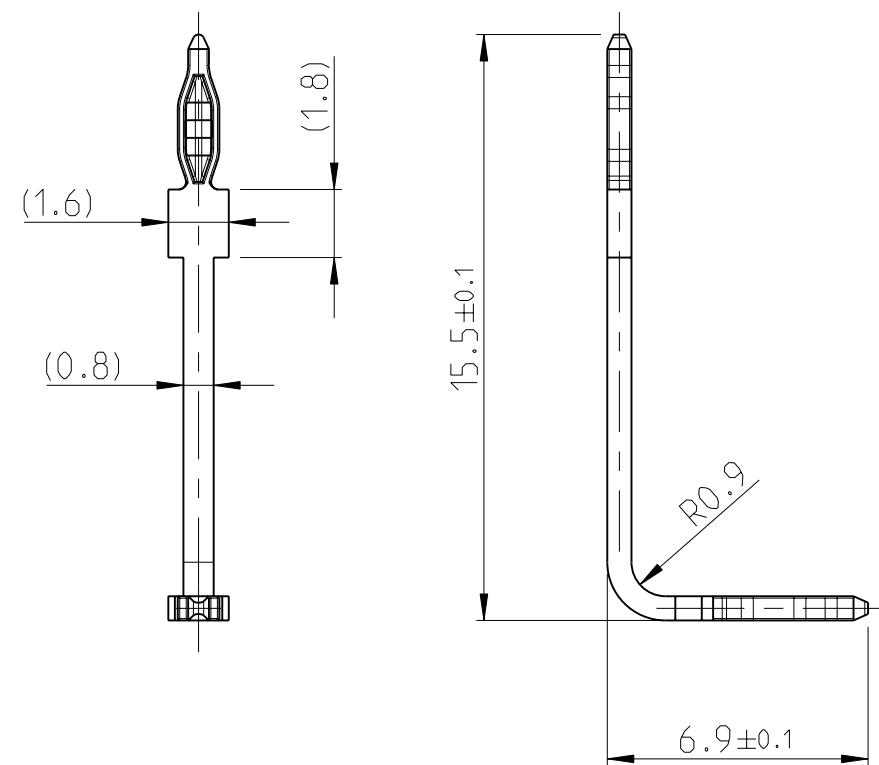


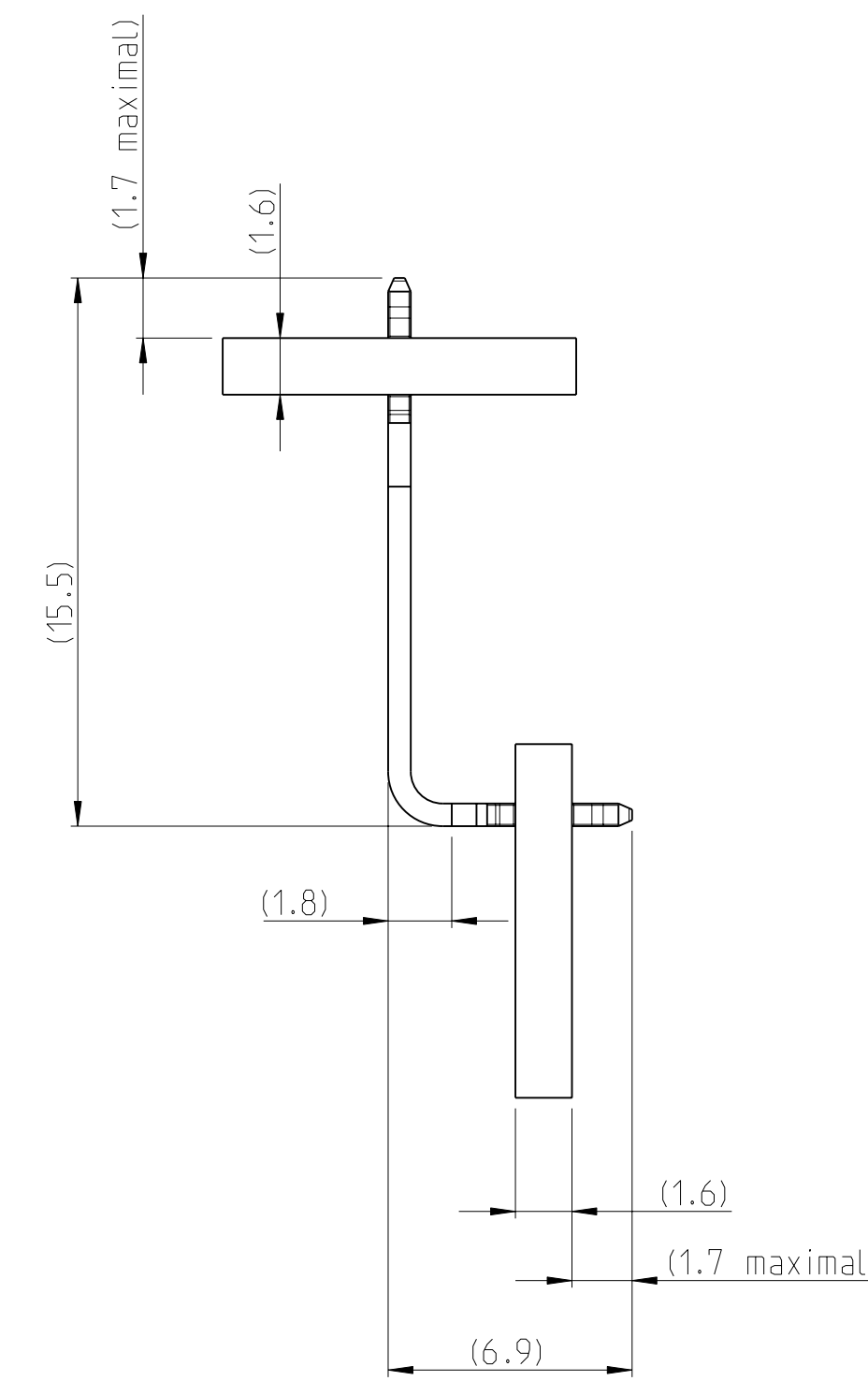
SINGLE CONTACT DIMENSIONS



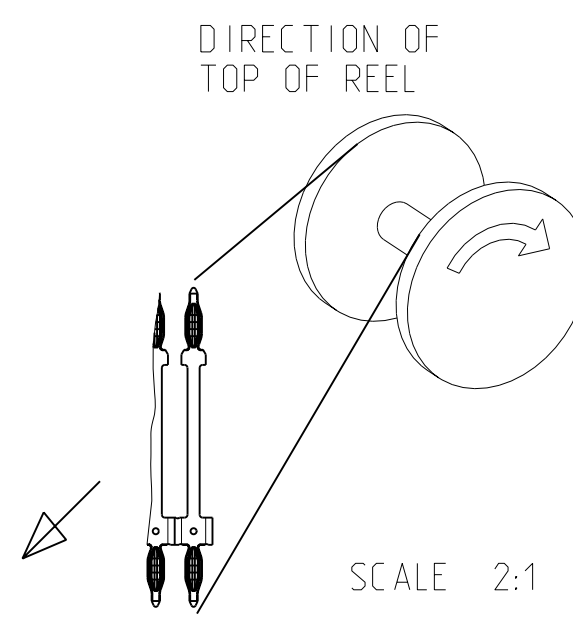
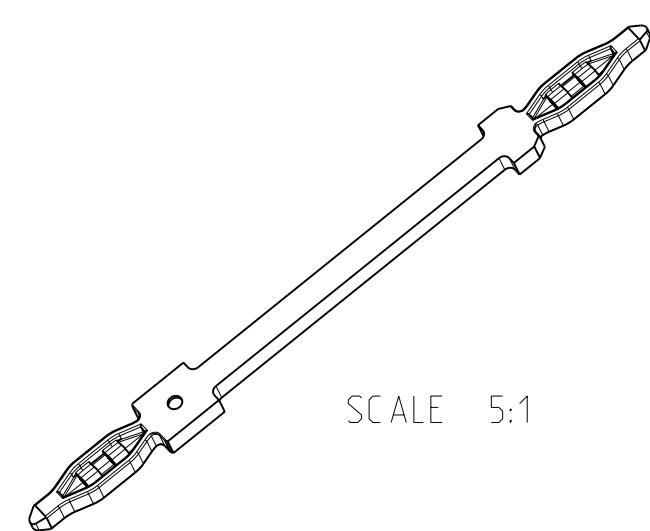
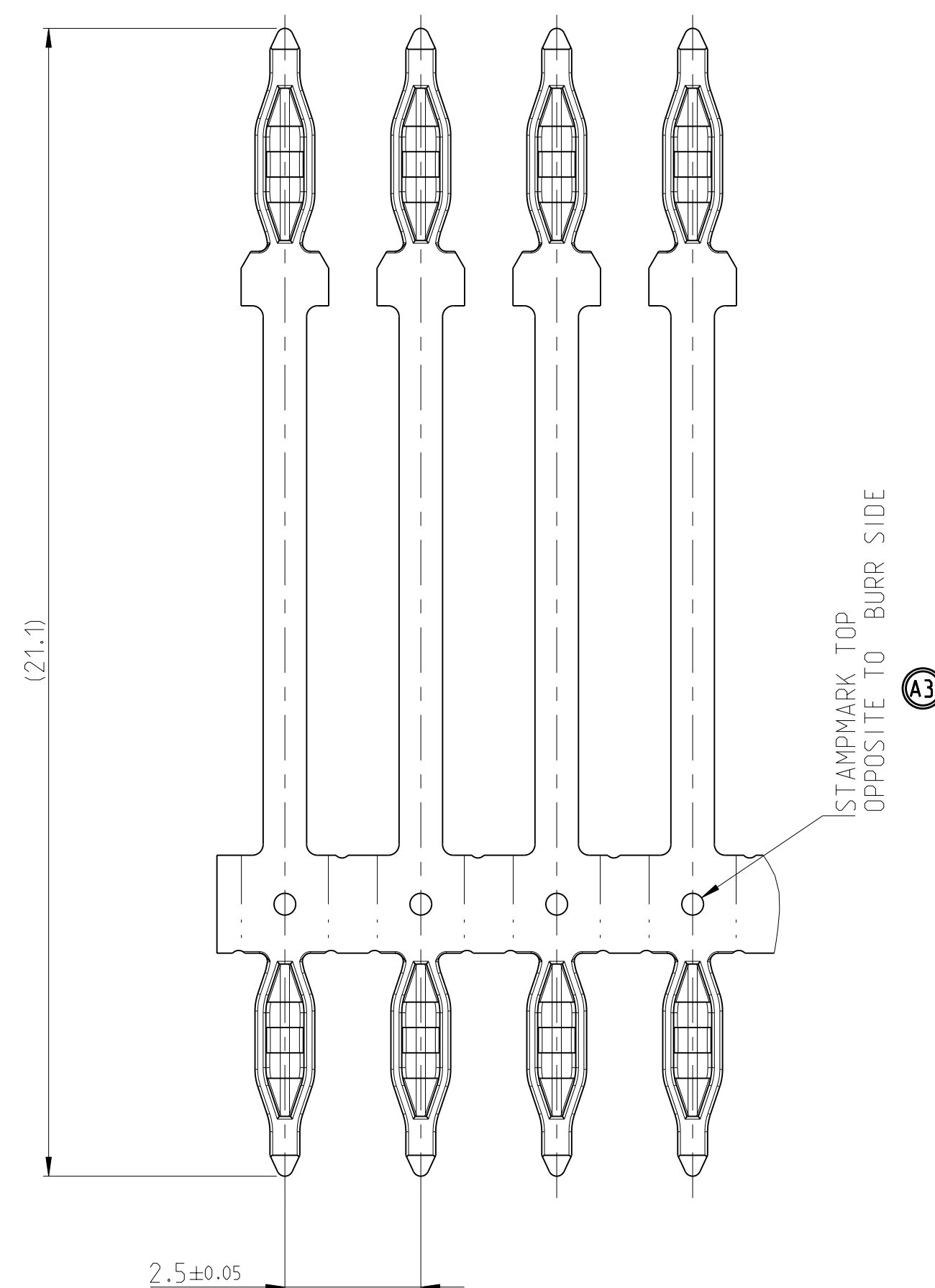
SINGLE CONTACT AFTER BENDING



APPLICATION SKETCH
Einbausituation



DELIVERY STATUS
Anlieferungszustand PPN 0-2141016-2



LOC	DIST	REVISIONS			
P	LTR	DESCRIPTION	DATE	DWN	APVD
A1	-				
A2		DIM 21.1	10 JUN 2010	TS	BF
A3		PCN E-10-022168	27 OCT 2010	HS	BF

NOTE:
Bemerkung:

- 1 PART ACCORDING TE- SPECIFICATION 108-90800
Teile nach TE- Spezifikation 108-90800
- 2 MATERIAL: CuSn6
Material: CuSn6
- 3 PLATING: 0.3-1.8 µm Sn OVER 0.7-1.5 µm Ni
Oberflaeche: 0.3-1.8 µm Sn ueber 0.7-1.5 µm Ni
- 4 PACKAGING: 50.000 CONTACTS/REEL (PAPERBOARD REEL)
Verpackung: 50.000 Kontakte/Spule (Pappspule)
- 5 MAX SPLICINGS PER REEL: 3 SPLICES/REEL
Maximale Anzahl an Reel-Verbindungen: 3 Verbindungen pro Spule
- 6 MEASURING POINT FOR DIMENSION OF MATERIAL THICKNESS
Messpunkt für Dickenmessung

<small>THIS DRAWING IS UNPUBLISHED. RELEASED FOR PUBLICATION 2009 BY TYCO ELECTRONICS CORPORATION, ALL INTERNATIONAL RIGHTS RESERVED.</small>		DWN: T.Starke 05FEB2010 CHK: B.Fiebertling 05FEB2010	Tyco Electronics AMP GmbH 64625 Bensheim (Germany)
DIMENSIONS: mm TOLERANCES UNLESS OTHERWISE SPECIFIED: 9 PLC ±0.25 1 PLC ±0.15 2 PLC ±0.1 3 PLC ± 4 PLC ± ANGLES ± FINISH -		PRODUCT SPEC: - APPLICATION SPEC: - WEIGHT: 0.1g CUSTOMER DRAWING: -	NAME: 0.63 MQS MULTISPRING PIN CONTACT ON REEL SIZE: A1 CAGE CODE: 00779 DRAWING NO: C=2141016 SHEET: 1 OF 1 REV: A3