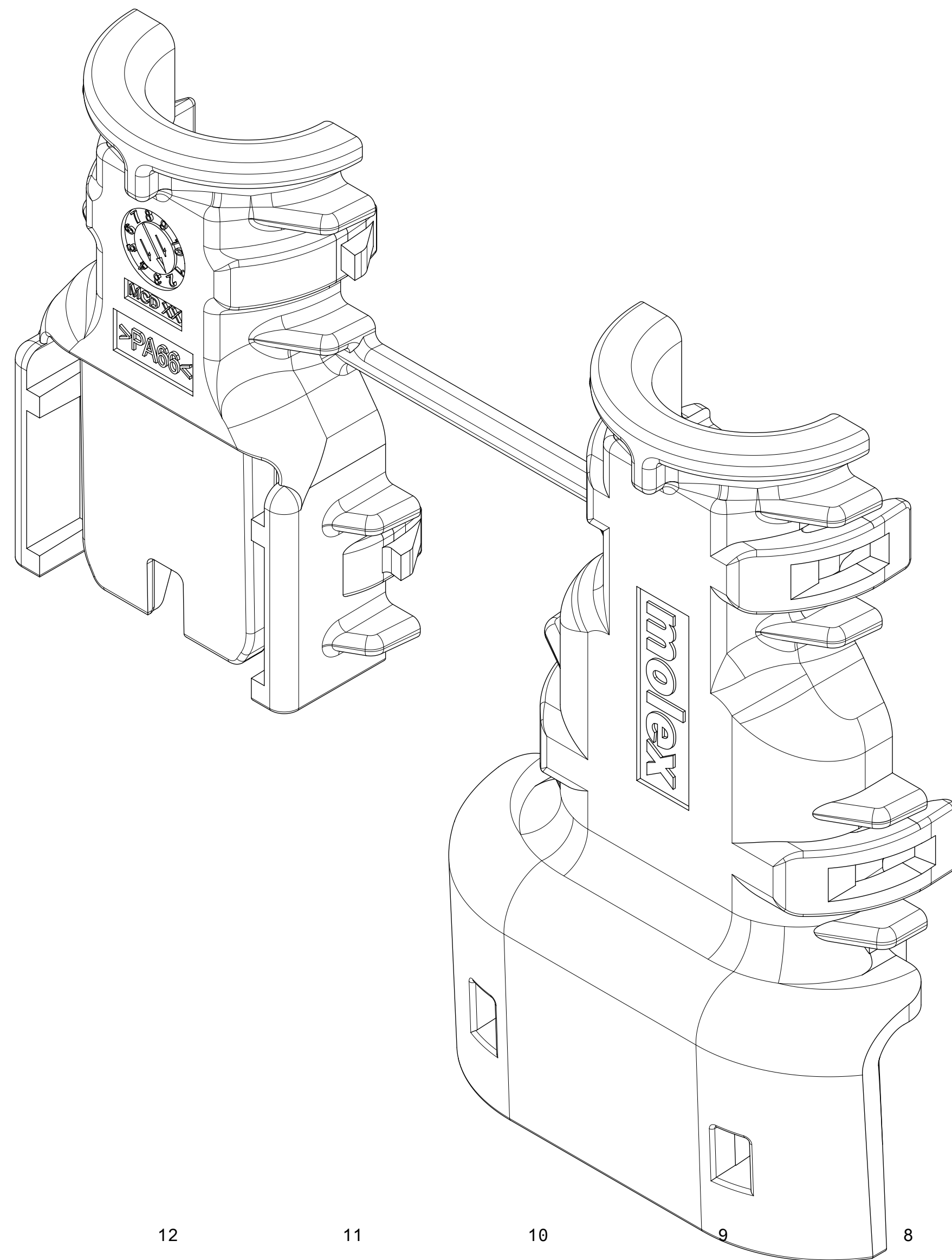


BILL OF MATERIALS (BOM)							
DESCRIPTION	PART NUMBER	CIRCUIT SIZE	COLOR	RIBS	MATING DRAWING	CONVOLUTE SIZE	STATUS
1X3 C.S., WITH RIB	204351-0301	1X3 C.S.	BLACK	YES	SD-160073-001	AD 10 SOFANO	OK TO TOOL



BACKSHELL NOTES: VALID UNLESS OTHERWISE SPECIFIED

1. GENERAL:

- a. APPLICATION SPECIFICATION SEE: AS-34951-001
 - DESIGNED TO MATE WITH CONNECTOR
 - AS SPECIFIED IN THE BOM
 - COMPONENTS ARE OPTIONAL AND MUST BE PURCHASED SEPERATELY
- b. PRODUCT SPECIFICATION SEE: TBD
- c. PACKAGING SPECIFICATION SEE: TBD
- d. PARTS MUST BE IN COMPLIANCE TO MOLEX CHEMICAL SUBSTANCES FOR PRODUCTS AND PACKAGING SPECIFICATION: QEHS-699000-300
- e. DATA MUST BE SUBMITTED UNDER THE MOLEX PART NUMBER TO IMDS (COMPANY ID#13255)
- f. FOLLOWING PRODUCTION CODES TO BE PRESENT
 - DATE CODE
 - MOLD CAVITY CODE
 - MOLEX LOGO
 - RECYCLE CODE

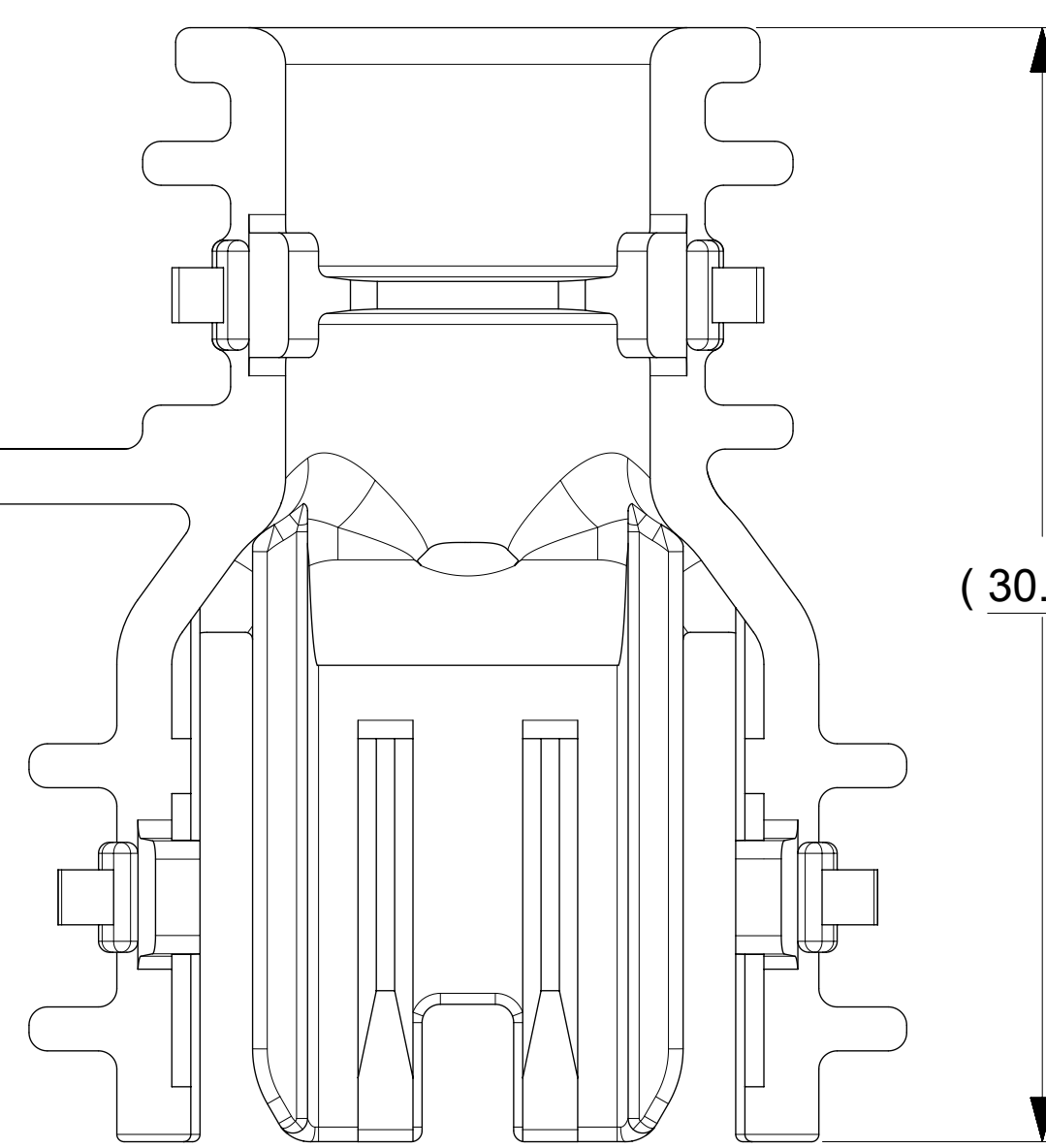
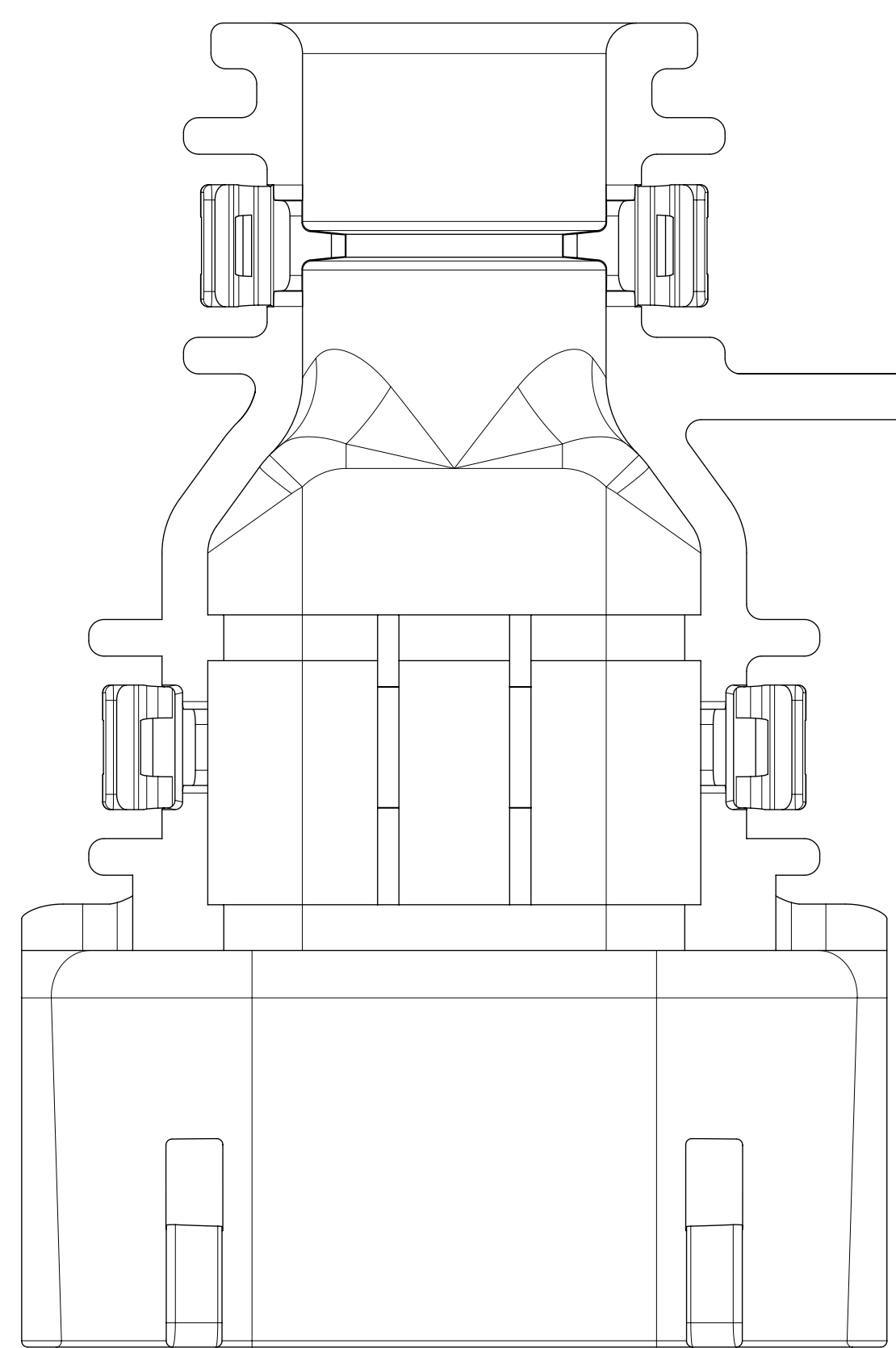
2. DESIGN - MATERIALS:

- a. PA66 0% GLASS FILLED
- b. BLACK

3. DESIGN GEOMETRY:

- a. THIS IS A 100% CAD GENERATED PART. THE CAD MATHEMATICAL DATA IS THE MASTER FOR THIS PART. FOR DIMENSIONAL OR ANY INFORMATION NOT SHOWN ON THIS DRAWING, ANALYZE THE CAD MODEL.
- b. GEOMETRIC DIMENSIONS AND TOLERANCES PER ASME Y14.5M - 2009.
- c. CORNERS SHOWN AS SHARP TO BE R 0.1.
- d. VISUAL DEFECTS SHALL MEET COSMETIC STANDARD PS-45499-002 (CLASS B).
- e. ALLOWABLE FLASH, PARTING LINES MISMATCH, EJECTOR PINS MARK, AND GATE VESTIGE TO BE +0.30 MAX PROTUSION.

QUALITY SYMBOLS □ = 0 ▽ = 0 ▽ = 0 ▽ = 0 ▽ = 0 ▽ = 0 ▽ = 0 ▽ = 0 ▽ = 0 ▽ = 0 ▽ = 0 ▽ = 0	THIS DRAWING CONTAINS INFORMATION THAT IS PROPRIETARY TO MOLEX ELECTRONIC TECHNOLOGIES, LLC AND SHOULD NOT BE USED WITHOUT WRITTEN PERMISSION		DIMENSION UNITS mm		SCALE 5:1			
	EC NO: 168534 DRWN: CBOWDEN CHKD: MVANSLAMBROU REV: APPR:	2017/11/29 2017/12/14	GENERAL TOLERANCES (UNLESS SPECIFIED) ANGULAR TOL ± °		DRWN BY CBOWDEN	DATE 2017/09/13		
		4 PLACES ± 3 PLACES ± 2 PLACES ± 1 PLACE ± 0 PLACES ±	CHKD BY CHKD BY	APPR BY MVANSLAMBROU	DATE 2017/09/14	PRODUCT CUSTOMER DRAWING		
		DRAFT WHERE APPLICABLE MUST REMAIN WITHIN DIMENSIONS	DRAWING SIZE D	THIRD ANGLE PROJECTION		SERIES 204351	MATERIAL NUMBER 2043510301	CUSTOMER
RELEASE STATUS P1	RELEASE DATE 14.12.2017	02:49:53	DOCUMENT NUMBER 2043510301	DOC TYPE PSD	DOC PART 000	SHEET NUMBER 1 OF 2		



MANUFACTURING LOCATION

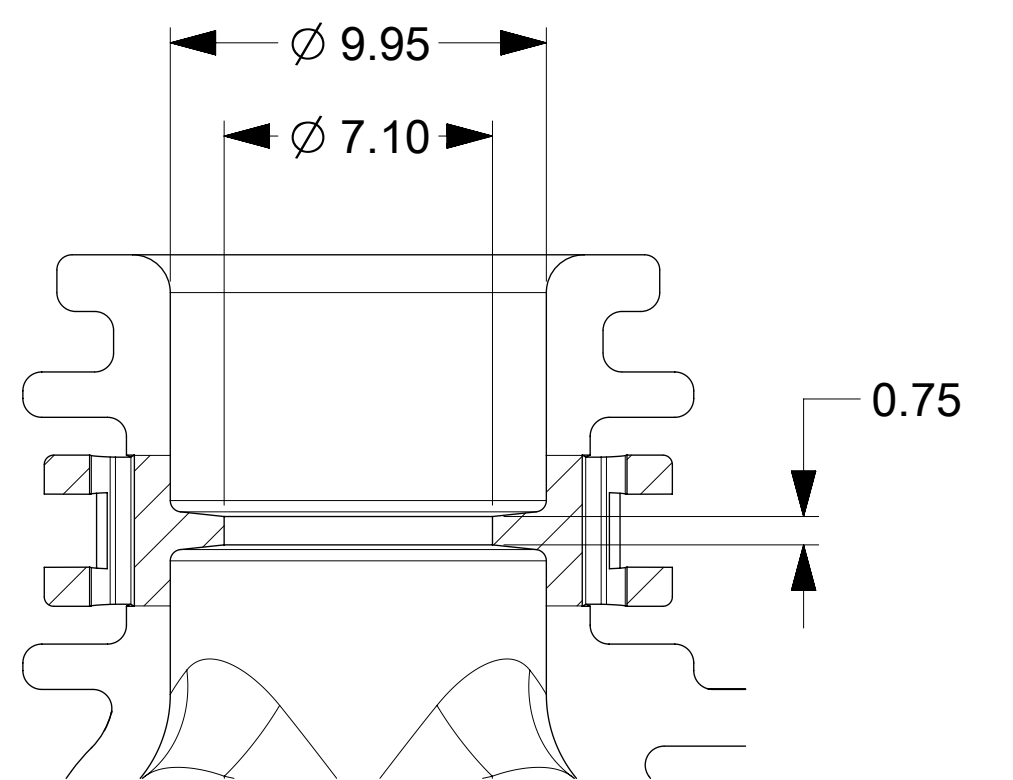
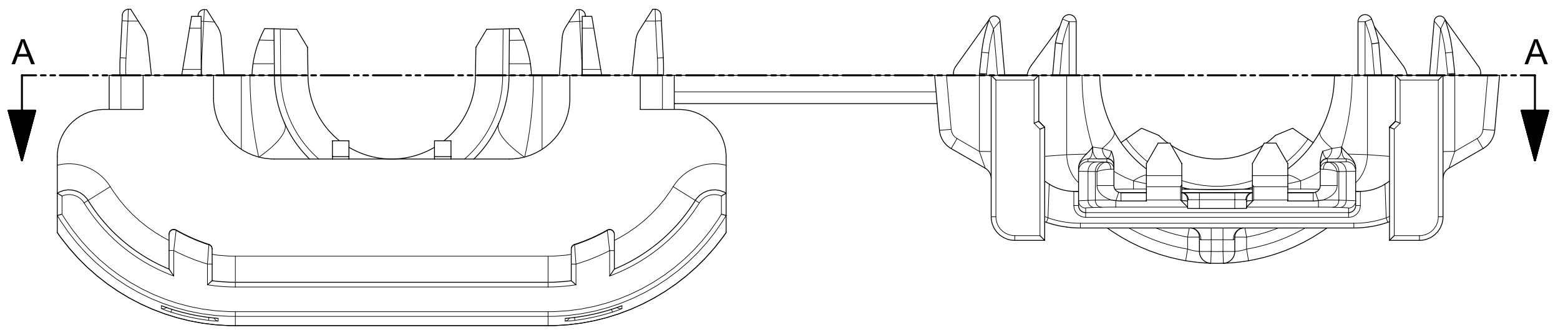
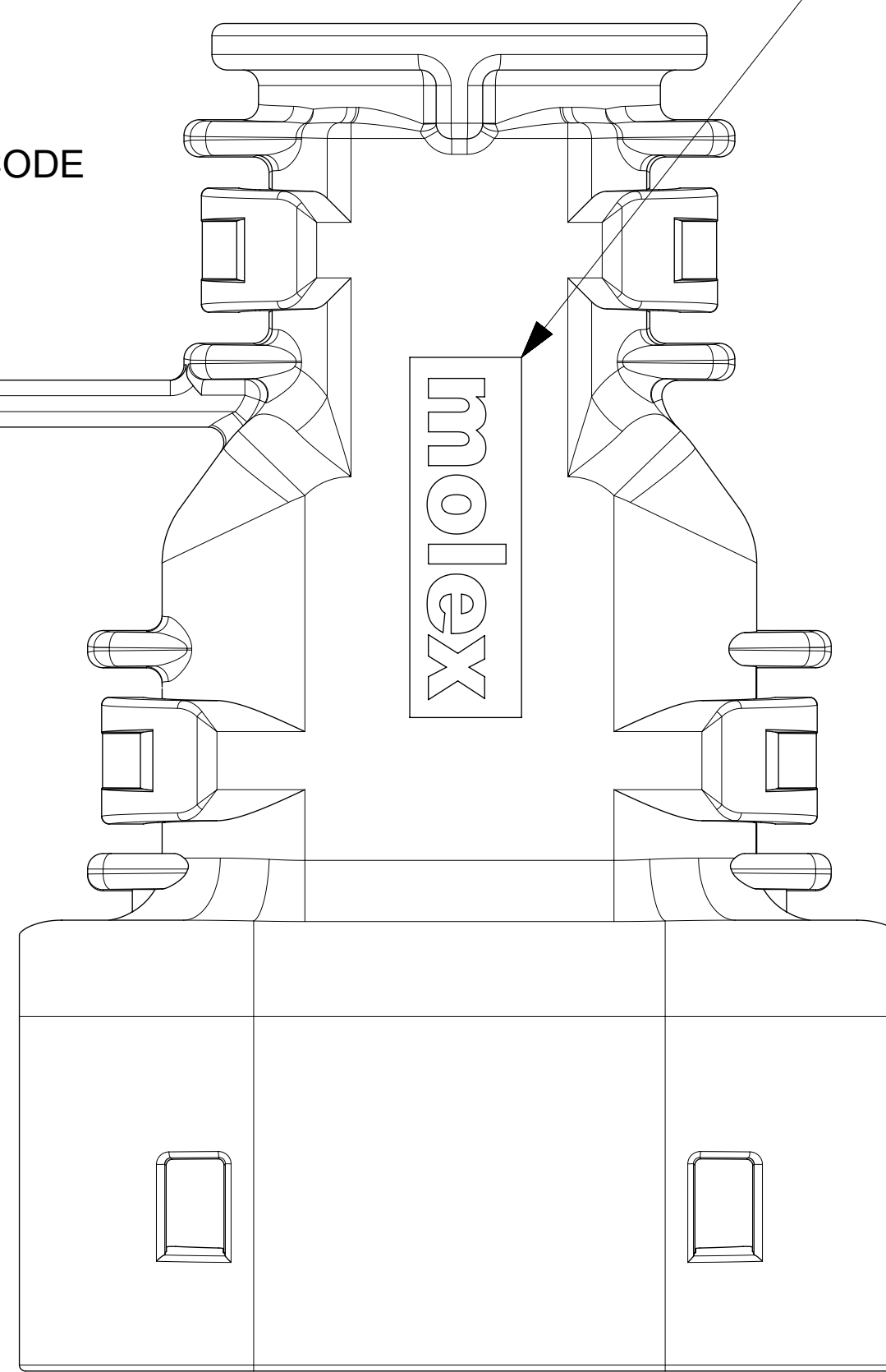
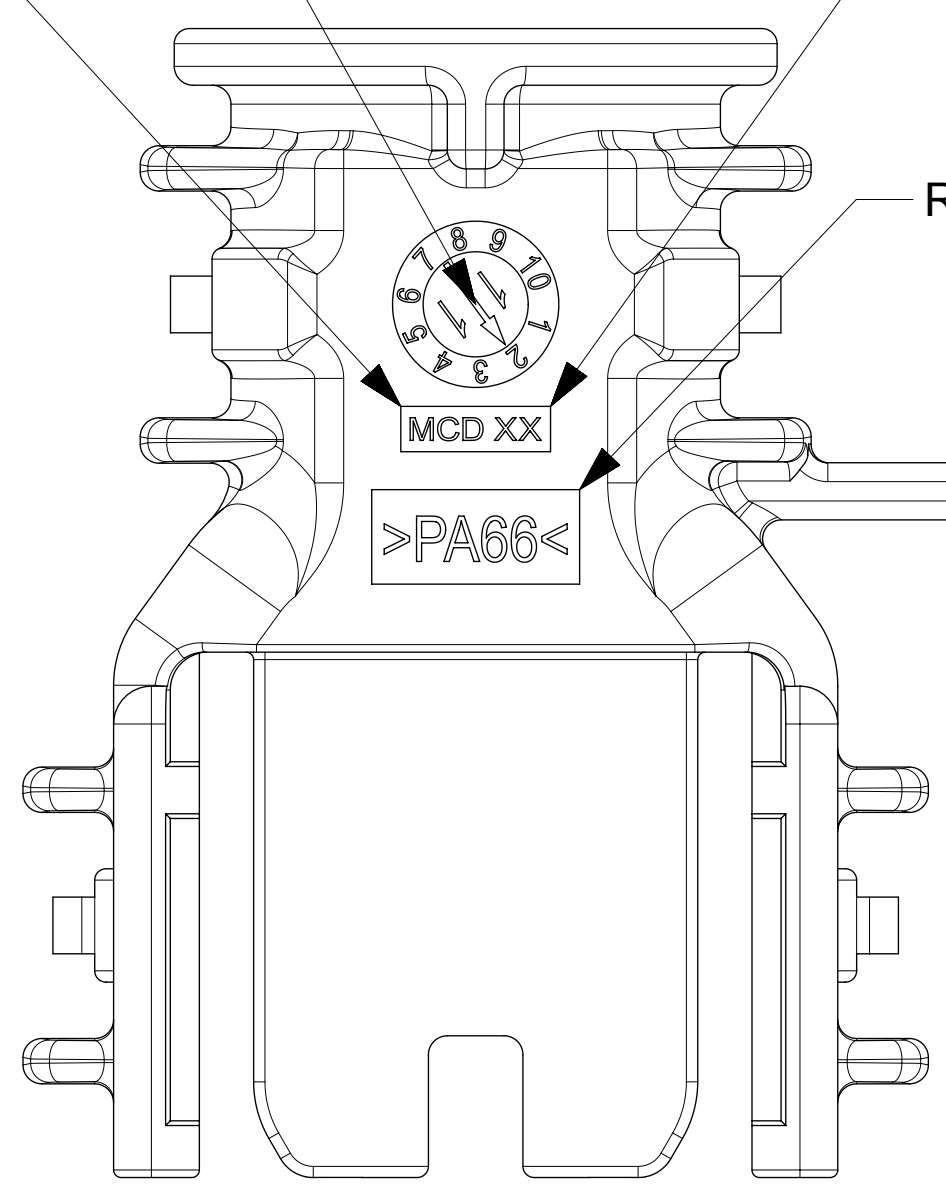
(30.60 MAX)

DATE WHEEL

MOLD CAVITY I.D.

MOLEX LOGO

RECYCLING CODE



SECTION A-A

THIS DRAWING CONTAINS INFORMATION THAT IS PROPRIETARY TO MOLEX ELECTRONIC TECHNOLOGIES, LLC AND SHOULD NOT BE USED WITHOUT WRITTEN PERMISSION												
QUALITY SYMBOLS		GENERAL TOLERANCES (UNLESS SPECIFIED)				DIMENSION UNITS		SCALE				
▽ = 0 ▽ = 0 ▽ = 0 ▽ = 0 ▽ = 0 ▽ = 0 ▽ = 0 ▽ = 0 ▽ = 0 ▽ = 0		DRWN BY: CROWDEN CHK'D: MVANSLAMBROU APPR: MVANSLAMBROU				mm		1:1				
		DRWN BY: CROWDEN CHK'D: MVANSLAMBROU APPR: MVANSLAMBROU				DRWN BY: CROWDEN DATE: 2017/09/13		DRWN BY: CROWDEN DATE: 2017/09/13		MX150 1X3 CS 180 BACKSHELL SALES MODEL		
		DRWN BY: CROWDEN CHK'D: MVANSLAMBROU APPR: MVANSLAMBROU				CHKD BY: MVANSLAMBROU DATE: 2017/09/14		CHKD BY: MVANSLAMBROU DATE: 2017/09/14				
		DRWN BY: CROWDEN CHK'D: MVANSLAMBROU APPR: MVANSLAMBROU				DRWN BY: CROWDEN DATE: 2017/09/13		DRWN BY: CROWDEN DATE: 2017/09/13		SERIES: 204351 MATERIAL NUMBER: 20435110301 CUSTOMER:		
		DRWN BY: CROWDEN CHK'D: MVANSLAMBROU APPR: MVANSLAMBROU				DRWN BY: CROWDEN DATE: 2017/09/13		DRWN BY: CROWDEN DATE: 2017/09/13		DOCUMENT NUMBER: 2043510301 DOC TYPE: PSD DOC PART: 000 SHEET NUMBER: 2 OF 2		