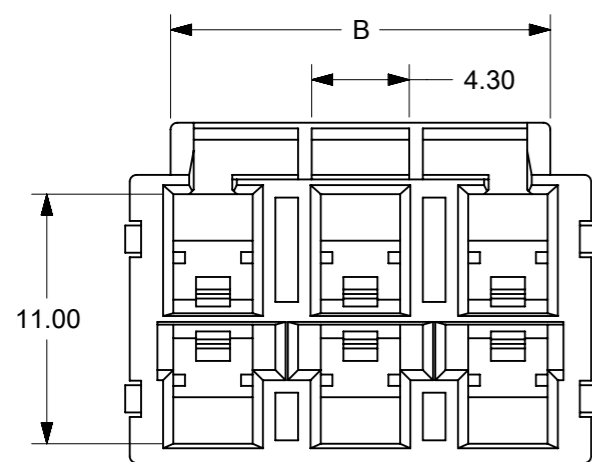


NOTES:

1. MATERIAL: NYLON, UL94V-0
2. APPLICABLE TERMINAL:  
205033 FOR WIRE RANGE #16 ~ #20  
205032 FOR WIRE RANGE #22 ~ #24
3. APPLICATION RETAINER: 51143
4. REFER TO COSMETIC SPECIFICATION: PS-45499-002(CLASS B)
5. PRODUCT SPECIFICATION: 2034380001-PS
6. PACKAGING SPECIFICATION: 2034380001-PK



20.34	16.74	13.00	2034382611	NATURAL (WHITE)	6
			2034382609	RED	
			2034382606	BLACK	
13.84	10.74	6.50	2034382601	BLUE	4
			2034382411	NATURAL (WHITE)	
			2034382406	BLACK	
7.34	7.34	-	2034382401	BLUE	2
			2034382409	RED	
			2034382211	NATURAL (WHITE)	
			2034382210	MINT	
			2034382209	RED	
			2034382208	BROWN	
			2034382207	GREEN	
			2034382206	BLACK	
			2034382205	PINK	
			2034382204	PURPLE	
2034382203	YELLOW				
2034382202	GREY				
2034382201	BLUE				
2034382200	ORANGE				
C	B	A	PART NO.	COLOR	CKT SIZE

<b>SYMBOLS</b> THIS DRAWING CONTAINS INFORMATION THAT IS PROPRIETARY TO MOLEX ELECTRONIC TECHNOLOGIES, LLC AND SHOULD NOT BE USED WITHOUT WRITTEN PERMISSION DIMENSION UNITS: mm SCALE: 3:1 GENERAL TOLERANCES (UNLESS SPECIFIED): ANGULAR TOL ± 3.0° 4 PLACES ± 3 PLACES ± 2 PLACES ± 0.2 1 PLACE ± 0 PLACES ± DRAFT WHERE APPLICABLE MUST REMAIN WITHIN DIMENSIONS	CURRENT REV DESC: NEW CREATION		 CP6.5 WTW PLUG HOUSING FOR 2 TO 6 CIRCUITS PRODUCT CUSTOMER DRAWING	
	EC NO: 612352 DRWN: SMAHAJANSHET 2019/01/23 CHK'D: NCSR 2019/02/20 APPR: NCSR 2019/02/20			
INITIAL REVISION: DRWN: SMAHAJANSHET 2019/01/23 APPR: NCSR 2019/02/20	THIRD ANGLE PROJECTION 	DRAWING: A3-SIZE SERIES: 203438	MATERIAL NUMBER: SEE TABLE CUSTOMER: GENERAL MARKET	SHEET NUMBER: 1 OF 2

