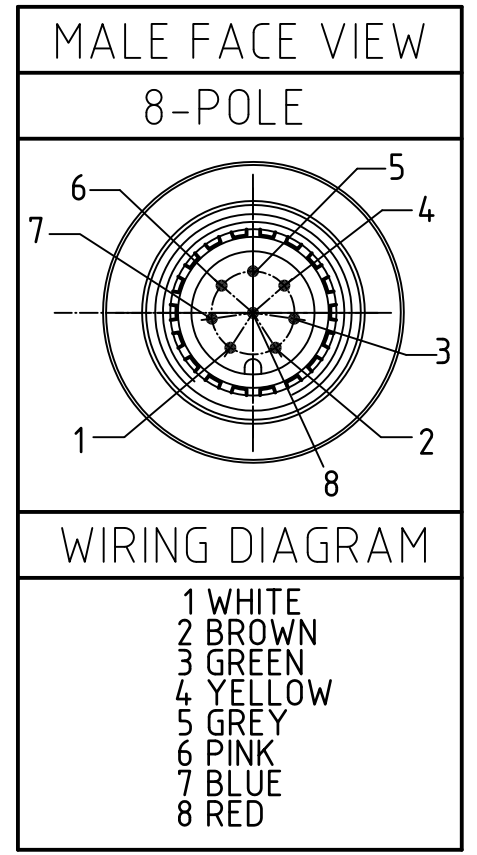


CONNECTOR SPECIFICATION:	
VOLTAGE RATING	30V AC/DC
AMPERAGE RATING	max. 2 AMPS
PROTECTION	IP68
OPERATING TEMPERATURE	-30°C TO +80°C
UL CERTIFICATIONS	UL RECOGNIZED, FILE NO. E152210
ASSEMBLY IS	RoHS COMPLIANT

POL	MATERIAL NUMBER	ENGINEERING NUMBER	FINISHED LENGTH
8	1200795115	W08006P02M020	2.0M ±25MM



ITEM	COMPONENT	MATERIAL	FINISH
6	O-RING	VITON	GREEN
5	COUPLER	BRASS	NICKEL PLATED
4	CONTACT SOCKET	COPPER ALLOY	GOLD OVER NICKEL
3	INSERT	PUR	BLACK
2	OVERMOLD	TPE (PUR)	YELLOW
1	CABLE 0.25mm <sup>2</sup> /24AWG (COPPER STRANDING) 8 CONDUCT.	JACKET: PUR/PVC	JACKET: BLACK

DESCRIPTION EC NO.: WEU2010-0442 DRWN.: REISSNER 2010/03/18 CHK'D.: FP APPR.: FPACHER 2010/03/19 REV 1	QUALITY SYMBOLS ▽ = 0 ▽C = 0	GENERAL TOLERANCES (UNLESS SPECIFIED) <table border="1"> <thead> <tr> <th></th> <th>mm</th> <th>INCH</th> </tr> </thead> <tbody> <tr> <td>4 PLACES</td> <td>±---</td> <td>±---</td> </tr> <tr> <td>3 PLACES</td> <td>±---</td> <td>±---</td> </tr> <tr> <td>2 PLACES</td> <td>±---</td> <td>±---</td> </tr> <tr> <td>1 PLACE</td> <td>±0.3</td> <td>±---</td> </tr> </tbody> </table>		mm	INCH	4 PLACES	±---	±---	3 PLACES	±---	±---	2 PLACES	±---	±---	1 PLACE	±0.3	±---	DIMENSION STYLE <b>MM ONLY</b> DRAWN BY DATE REISSNER 2010/03/18 CHECKED BY DATE NS 2010/03/18 APPROVED BY DATE FPACHER 2010/03/19	SCALE <b>2:1</b> DESIGN UNITS <b>METRIC</b> THIRD ANGLE PROJECTION
		mm	INCH																
	4 PLACES	±---	±---																
	3 PLACES	±---	±---																
2 PLACES	±---	±---																	
1 PLACE	±0.3	±---																	
DRAFT WHERE APPLICABLE MUST REMAIN WITHIN DIMENSIONS		SEE TABLE	<b>MICRO-CHANGE ULTRA LOCK 8-POLE MALE STRAIGHT #24AWG PUR BLACK CABLE</b>																
SIZE <b>A3</b>		THIS DRAWING CONTAINS INFORMATION THAT IS PROPRIETARY TO MOLEX INCORPORATED AND SHOULD NOT BE USED WITHOUT WRITTEN PERMISSION																	
MOLEX INCORPORATED DOCUMENT NO. SD-120079-049			SHEET NO. 1 OF 1																