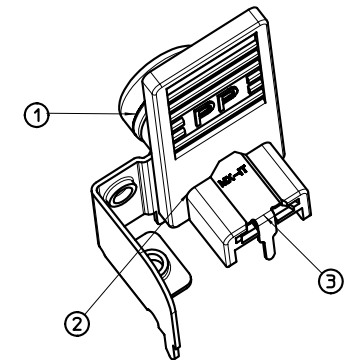
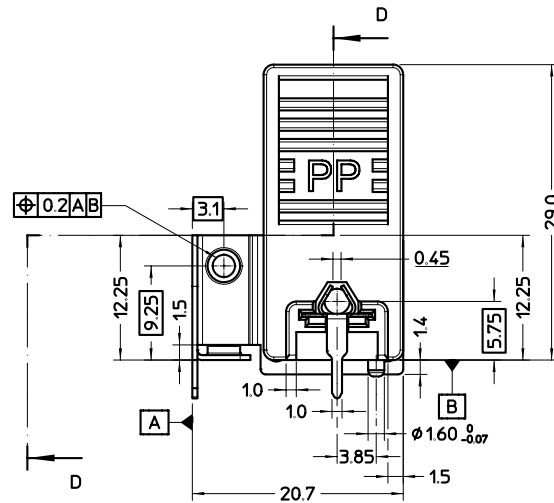
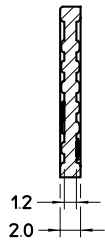
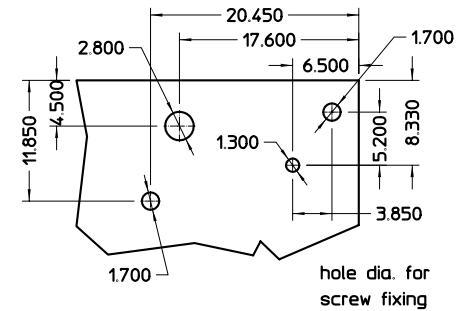
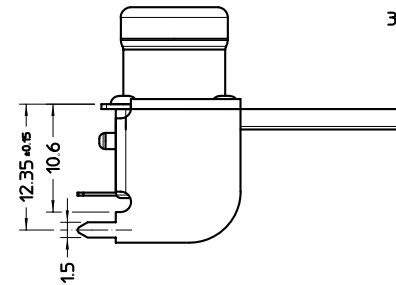
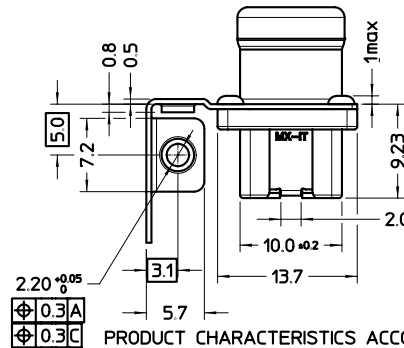
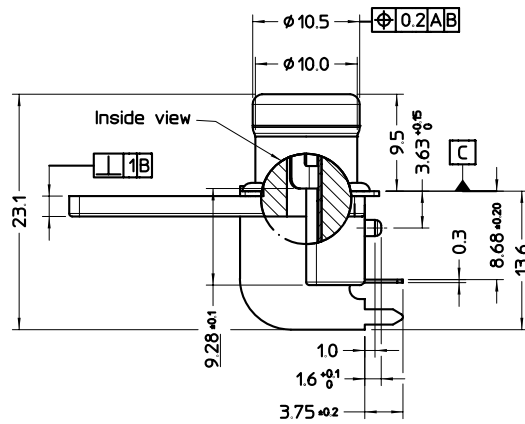


Section D-D



NOTES:
MATING PIN DIA = 2.40⁺⁰_{-0.05}

- 1 METAL SHELL-mat'l: Brass CuZn33
-plating: post tin plated
- 2 PLASTIC HOUSING-mat'l: Polyprop. 30% g.f.
- 3 TERMINAL-mat'l: PhBz CuSn8 hard
plating: tin preplated stock



PCB LAY-OUT: view from component side
PCB THICKNESS: 1.6 +/-0.1 mm

PRODUCT CHARACTERISTICS ACCORDING TO PS-94487-006
PRIMARY PACKAGING: LOOSE IN CARDBOARD BOXES (90 pcs/box)
SHIPPING CARTON UNIT WITH 9 BOXES
SPQ: 810 pzs.
SIGNIFICANT AND MAJOR CHARACTERISTICS: SEE SEPARATE LIST

Std description: AERIAL CONNECTOR SOCKET ISO

EC NO: Z2001-0070 DRWN: FGOTTARD 2000/11/30 CHKD: MTESTAG 2000/12/04 APPR: GZJUN 2000/12/04	QUALITY SYMBOLS	GENERAL TOLERANCES (UNLESS SPECIFIED)		SCALE 3:1	DESIGN UNITS METRIC	FIRST ANGLE PROJECTION	REVISE ON CAD ONLY	
	▼ -0 ∇ -0		mm	INCH	DIMENSION STYLE MM ONLY		TITLE	
		4 PLACES	± ---	± ---	DRAWN BY	DATE	AERIAL CONNECTOR SOCKET -ISO-	
		3 PLACES	± 0.05	± ---	FGOTTARD	1999/04/19		
2 PLACES	± 0.10	± ---	CHECKED BY	DATE	MOLEX INCORPORATED			
1 PLACE	± 0.10	± ---	MTESTAGU	1999/04/19				
		ANGULAR ± 2 °		APPROVED BY	DATE	MATERIAL NO.	DOCUMENT NO.	
		DRAFT WHERE APPLICABLE		RMARTUCC	1999/04/19	94487-0001	SD-94487-001	
		MUST REMAIN WITHIN DIMENSIONS		SHEET NO. 1 OF 1 THIS DRAWING CONTAINS INFORMATION THAT IS PROPRIETARY TO MOLEX INCORPORATED AND SHOULD NOT BE USED WITHOUT WRITTEN PERMISSION				