

10 9 8 7 6 5 4 3 2 1

F

E

D

C

B

A

F

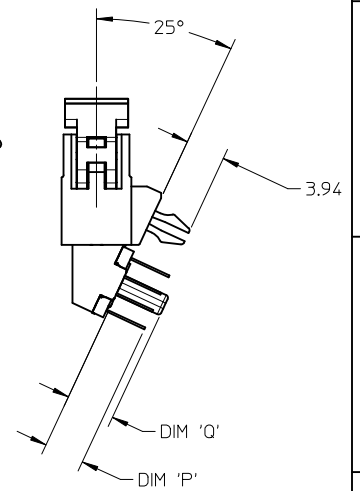
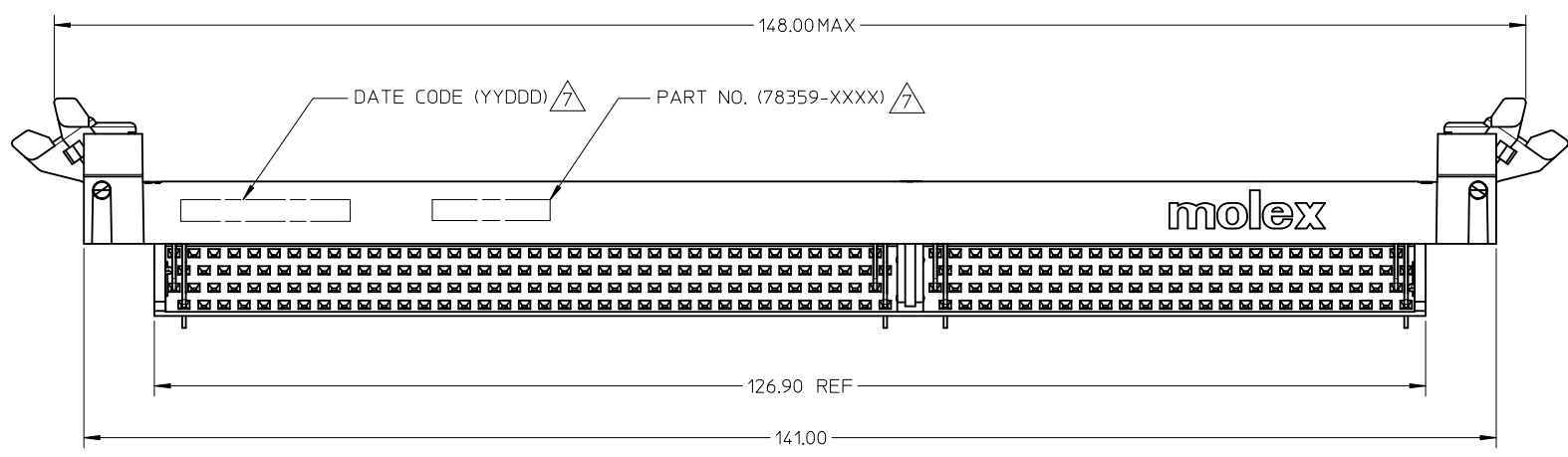
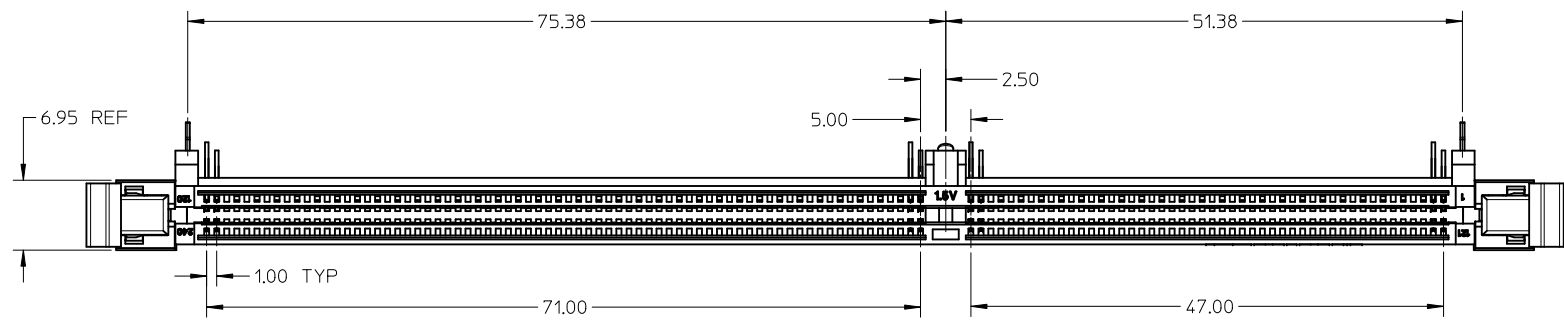
E

D

C

B

A



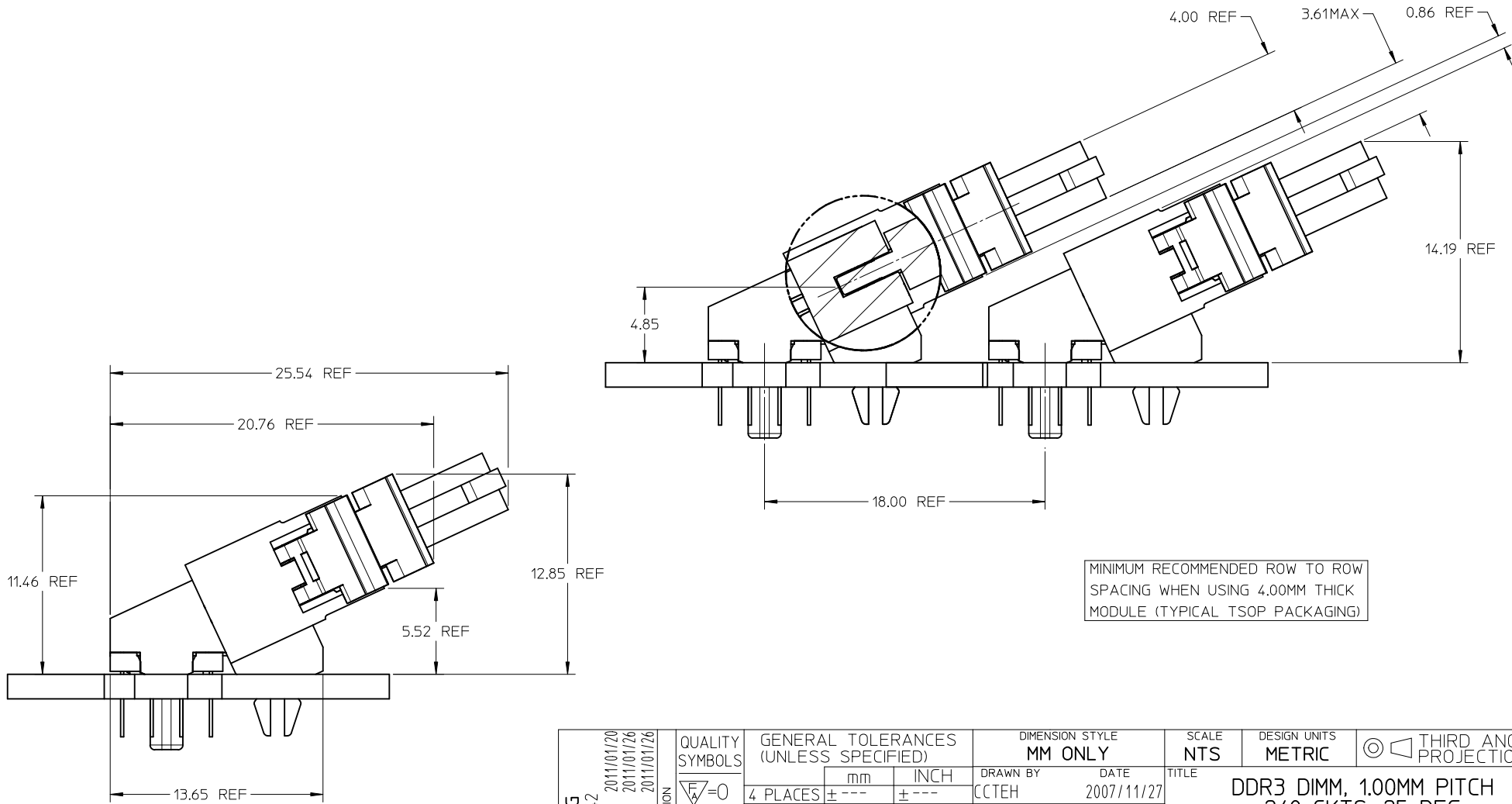
NOTES:

- MATERIALS:  
HOUSING & BASEPLATE - LCP, GLASS-FILLED, UL94V-0, BLACK  
LATCH - NYLON, GLASS-FILLED, UL94V-0, BLACK  
TERMINALS & FORKLOCK - COPPER ALLOY
  - PLATING : CONTACT AREA - SEE TABLE IN SHEET 5  
SOLDERTAIL - SEE TABLE IN SHEET 5
  - CARD SLOT ACCEPTS 1.27±0.10MM MODULE THICKNESS (MEASURE OVER PC PAD)
  - REFER TO PRODUCT SPECIFICATION PS-78359-001 FOR PERFORMANCE SPECIFICATION
  - RECOMMENDED MODULE CARD LAYOUT SHELL BE AS PER JEDEC MO-269
  - PRODUCT SHALL BE PACKED IN TRAY
- MOLEX LOGO , DATE CODE PART NUMBER INDICATED ON HOUSING

THIS DESIGN IS BASED ON DESIGN OBJECTIVES AND IS STRICTLY TENTATIVE. IT MAY CHANGE BASED ON RESULTS OF ADDITIONAL DESIGN REVIEWS & VERIFICATIONS.

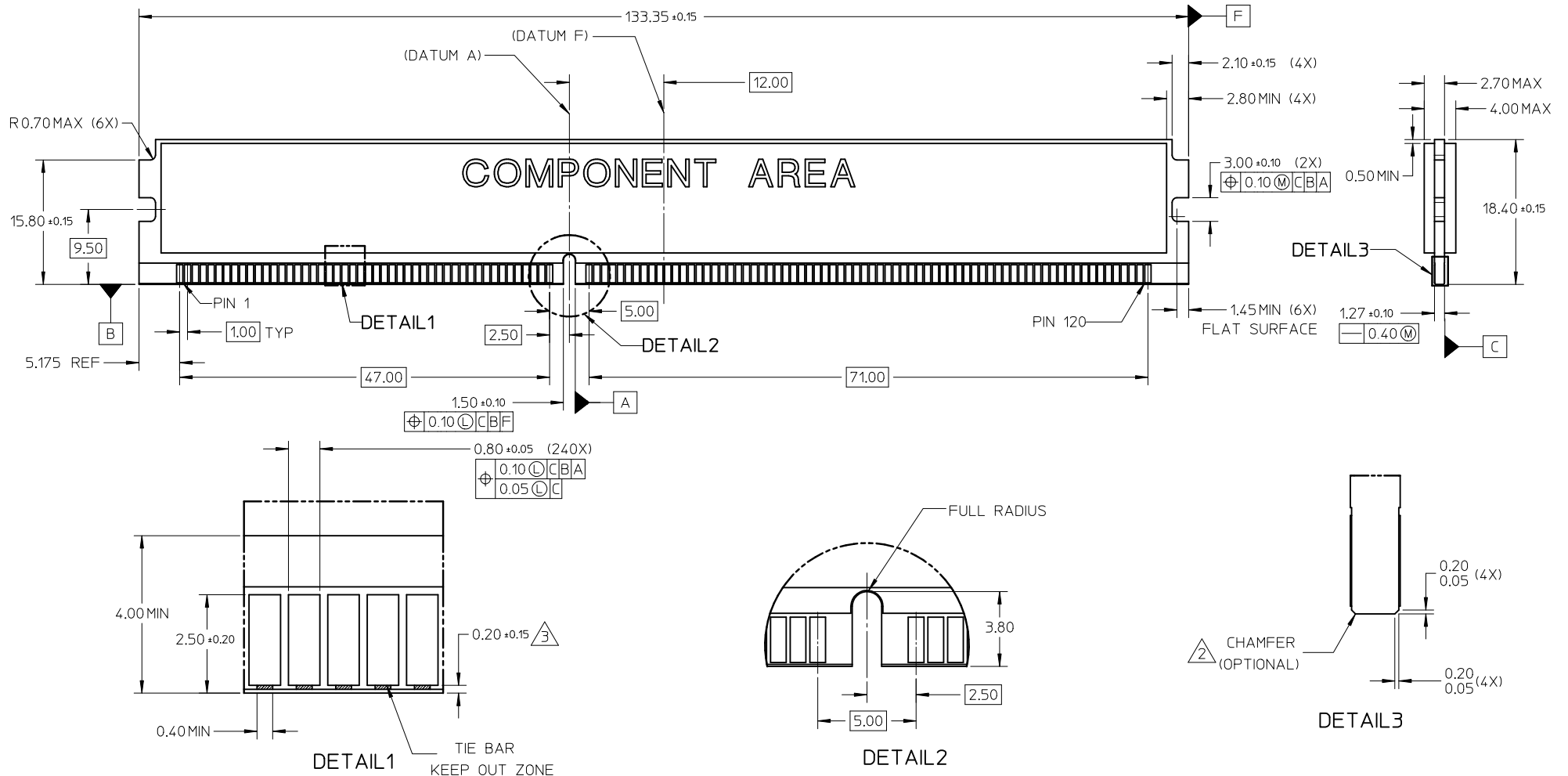
ADDED CORING EC NO: S2011-0442 DRWN: CCTEH 2011/01/20 CHKD: CGTAN 2011/01/26 APPR: SHLENI 2011/01/26	DESCRIPTION QUALITY SYMBOLS $F_A=0$ $F_G=0$ $F_P=0$	GENERAL TOLERANCES (UNLESS SPECIFIED)		DIMENSION STYLE MM ONLY		SCALE NTS	DESIGN UNITS METRIC	THIRD ANGLE PROJECTION		
			mm	INCH	DRAWN BY CCTEH	DATE 2007/11/27	TITLE DDR3 DIMM, 1.00MM PITCH 240 CKTS, 25 DEG T/H, VLP			
		4 PLACES ± --- ± ---			CHECKED BY CGTAN	DATE 2008/04/22	MOLEX MOLEX INCORPORATED DOCUMENT NO. SD-78359-001 SHEET NO. 1 OF 5			
		3 PLACES ± --- ± ---			APPROVED BY SHLENI	DATE 2008/04/22				
2 PLACES ± 0.25 ± ---			MATERIAL NO.		SEE TABLE					
1 PLACE ± --- ± ---			ANGULAR ± 3 °		THIS DRAWING CONTAINS INFORMATION THAT IS PROPRIETARY TO MOLEX INCORPORATED AND SHOULD NOT BE USED WITHOUT WRITTEN PERMISSION					
DRAFT WHERE APPLICABLE MUST REMAIN WITHIN DIMENSIONS				SIZE A3						

9 8 7 6 5 4 3 2 1



<b>ADDED CORING</b> EC NO: S2011-0442 DRWN: CTEH 2011/01/20 CHKD: CGTAN 2011/01/26 APPR: SHLENI 2011/01/26	QUALITY SYMBOLS $F_A=0$ $F_C=0$ $F_P=0$	GENERAL TOLERANCES (UNLESS SPECIFIED) <table border="1"> <thead> <tr> <th></th> <th>mm</th> <th>INCH</th> </tr> </thead> <tbody> <tr> <td>4 PLACES</td> <td>± ---</td> <td>± ---</td> </tr> <tr> <td>3 PLACES</td> <td>± ---</td> <td>± ---</td> </tr> <tr> <td>2 PLACES</td> <td>± 0.25</td> <td>± ---</td> </tr> <tr> <td>1 PLACE</td> <td>± ---</td> <td>± ---</td> </tr> </tbody> </table>		mm	INCH	4 PLACES	± ---	± ---	3 PLACES	± ---	± ---	2 PLACES	± 0.25	± ---	1 PLACE	± ---	± ---	DIMENSION STYLE <b>MM ONLY</b>	SCALE <b>NTS</b>	DESIGN UNITS <b>METRIC</b>	THIRD ANGLE PROJECTION
		mm	INCH																		
4 PLACES	± ---	± ---																			
3 PLACES	± ---	± ---																			
2 PLACES	± 0.25	± ---																			
1 PLACE	± ---	± ---																			
DESCRIPTION 2	DRAFT WHERE APPLICABLE MUST REMAIN WITHIN DIMENSIONS	<table border="1"> <thead> <tr> <th>DRAWN BY</th> <th>DATE</th> <th>TITLE</th> </tr> </thead> <tbody> <tr> <td>CTEH</td> <td>2007/11/27</td> <td rowspan="3">           DDR3 DIMM, 100MM PITCH            240 CKTS, 25 DEG            T/H, VLP         </td> </tr> <tr> <td>CGTAN</td> <td>2008/04/22</td> </tr> <tr> <td>SHLENI</td> <td>2008/04/22</td> </tr> </tbody> </table>	DRAWN BY	DATE	TITLE	CTEH	2007/11/27	DDR3 DIMM, 100MM PITCH 240 CKTS, 25 DEG T/H, VLP	CGTAN	2008/04/22	SHLENI	2008/04/22	MOLEX INCORPORATED	SHEET NO. 2 OF 5							
DRAWN BY	DATE	TITLE																			
CTEH	2007/11/27	DDR3 DIMM, 100MM PITCH 240 CKTS, 25 DEG T/H, VLP																			
CGTAN	2008/04/22																				
SHLENI	2008/04/22																				
MATERIAL NO. SEE TABLE	THIS DRAWING CONTAINS INFORMATION THAT IS PROPRIETARY TO MOLEX INCORPORATED AND SHOULD NOT BE USED WITHOUT WRITTEN PERMISSION	DOCUMENT NO. SD-78359-001																			

MODULE CARD  
DDR3 DUAL INLINE MEMORY MODULE FAMILY 1.00 CONTACT CENTERS

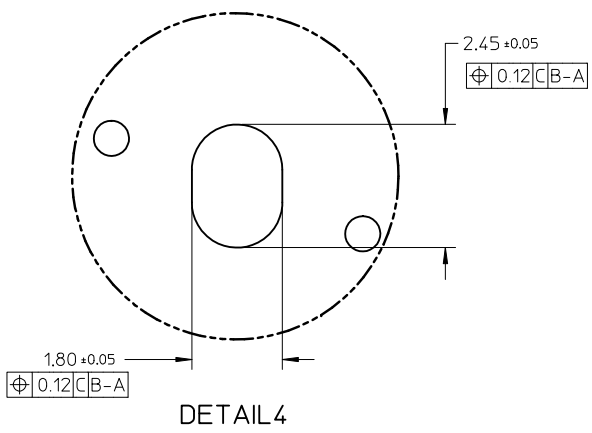
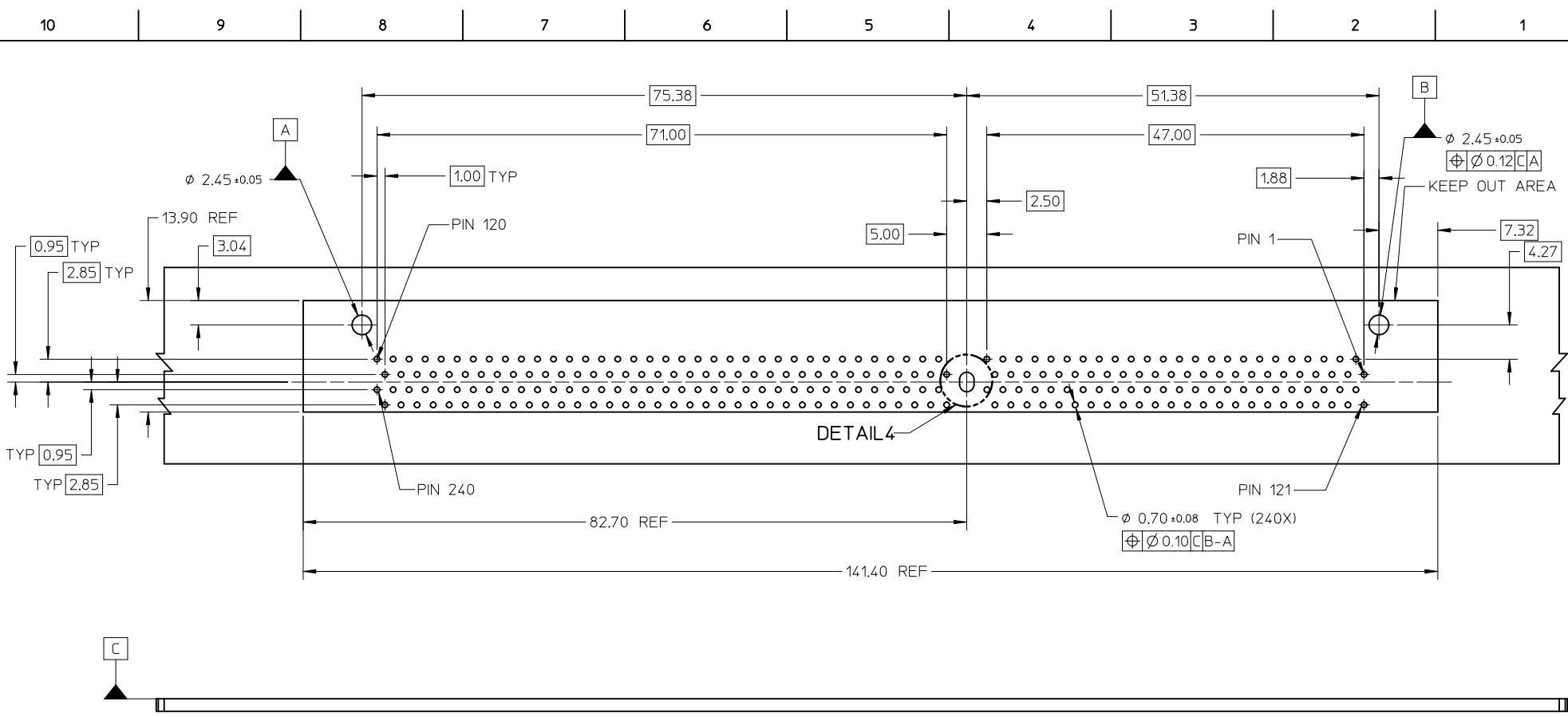


NOTES:

- RECOMMENDED PLATING FOR CONTACT PADS:  
PREFERRED: 0.76 μM GOLD PLATING MIN  
OVER 2.00 μM NICKEL  
ALTERNATIVE: 0.05-0.75 μM GOLD PLATING  
OVER 2.00 μM NICKEL MUST  
USE AN ELECTRONIC CONTACT GRADE  
CORROSIVE BARRIER LUBRICANT

- CHAMFER IS OPTIONAL AND IS NOT TO HIT THE GOLD PADS
- LEADING EDGE OF GOLD PADS SPECIFIED BY KEEP OUT ZONE  
SHALL BE FREE OF BURRS AND EXTERNAL TIE BARS

ADDED CORING EC NO: S2011-0442 DRWN:CTEH 2011/01/26 CHKD:CGTAN 2011/01/26 APPR:SHLENI 2011/01/26	QUALITY SYMBOLS FA=0 FC=0 FB=0	GENERAL TOLERANCES (UNLESS SPECIFIED)		DIMENSION STYLE MM ONLY		SCALE NTS	DESIGN UNITS METRIC	THIRD ANGLE PROJECTION	
		mm	INCH	DRAWN BY CCTEH	DATE 2007/11/27	TITLE DDR3 DIMM, 1.00MM PITCH 240 CKTS, 25 DEG T/H, VLP			
2	REV	4 PLACES	± ---	± ---	CHECKED BY CGTAN	DATE 2008/04/22	MOLEX INCORPORATED		
		3 PLACES	± ---	± ---	APPROVED BY SHLENI	DATE 2008/04/22			
		2 PLACES	± 0.25	± ---	MATERIAL NO.		DOCUMENT NO.		
		1 PLACE	± ---	± ---	SEE TABLE		SD-78359-001		
DRAFT WHERE APPLICABLE MUST REMAIN WITHIN DIMENSIONS		ANGULAR ± 3 °		SIZE A3		THIS DRAWING CONTAINS INFORMATION THAT IS PROPRIETARY TO MOLEX INCORPORATED AND SHOULD NOT BE USED WITHOUT WRITTEN PERMISSION			
						SHEET NO.		3 OF 5	



ADDED CORING EC NO: S2011-0442 DRWN: CCTEH 2011/01/20 CH'KD: CGTAN 2011/01/26 APPR: SHLENI 2011/01/26 REV 2	DESCRIPTION QUALITY SYMBOLS $F_A=0$ $F_G=0$ $F_B=0$	GENERAL TOLERANCES (UNLESS SPECIFIED)		DIMENSION STYLE <b>MM ONLY</b>		SCALE NTS	DESIGN UNITS METRIC	THIRD ANGLE PROJECTION	
		4 PLACES ± --- ± --- 3 PLACES ± --- ± --- 2 PLACES ± 0.25 ± --- 1 PLACE ± --- ± --- ANGULAR ± 3°	mm INCH DRAWN BY DATE CCTEH 2007/11/27 CHECKED BY DATE CGTAN 2008/04/22 APPROVED BY DATE SHLENI 2008/04/22 MATERIAL NO.	TITLE DDR3 DIMM, 1.00MM PITCH 240 CKTS, 25 DEG T/H, VLP		MOLEX INCORPORATED DOCUMENT NO. SD-78359-001		SHEET NO. 4 OF 5	
DRAFT WHERE APPLICABLE MUST REMAIN WITHIN DIMENSIONS				SEE TABLE		THIS DRAWING CONTAINS INFORMATION THAT IS PROPRIETARY TO MOLEX INCORPORATED AND SHOULD NOT BE USED WITHOUT WRITTEN PERMISSION			

10 9 8 7 6 5 4 3 2 1

PART NO.	VOLTAGE KEY	DIM 'P'	DIM 'Q'	RECOMMENDED PCB THICKNESS	PLATING OPTION
78359-0001	CENTER (1.5V)	2.79	3.18	1.57	0.76µM / 30 Mmch MIN GOLD ON CONTACT 2.54µM / 100 Mmch MIN PURE TIN ON SOLDER TAILS 1.27µM / 50 Mmch MIN NICKEL UNDERPLATE
78359-0011		3.18	4.83	2.36	
78359-0111		4.00		2.59	

ADDED CORING EC NO: S2011-0442 DRW: CCTEH 2011/01/20 CHK: CGTAN 2011/01/26 APPR: SHLENI 2011/01/26	DESCRIPTION REV	QUALITY SYMBOLS	GENERAL TOLERANCES (UNLESS SPECIFIED)	DIMENSION STYLE MM ONLY	SCALE NTS	DESIGN UNITS METRIC	THIRD ANGLE PROJECTION																															
		$\nabla_A = 0$ $\nabla_C = 0$ $\nabla_P = 0$	<table border="1"> <tr> <th></th> <th>mm</th> <th>INCH</th> </tr> <tr> <td>4 PLACES</td> <td>± ---</td> <td>± ---</td> </tr> <tr> <td>3 PLACES</td> <td>± ---</td> <td>± ---</td> </tr> <tr> <td>2 PLACES</td> <td>± 0.25</td> <td>± ---</td> </tr> <tr> <td>1 PLACE</td> <td>± ---</td> <td>± ---</td> </tr> </table>		mm	INCH	4 PLACES	± ---	± ---	3 PLACES	± ---	± ---	2 PLACES	± 0.25	± ---	1 PLACE	± ---	± ---	<table border="1"> <tr> <th>DRAWN BY</th> <th>DATE</th> <th>TITLE</th> </tr> <tr> <td>CCTEH</td> <td>2007/11/27</td> <td rowspan="2">DDR3 DIMM, 1.00MM PITCH 240 CKTS, 25 DEG T/H, VLP</td> </tr> <tr> <th>CHECKED BY</th> <th>DATE</th> </tr> <tr> <td>CGTAN</td> <td>2008/04/22</td> <td rowspan="2">MOLEX INCORPORATED</td> </tr> <tr> <th>APPROVED BY</th> <th>DATE</th> </tr> <tr> <td>SHLENI</td> <td>2008/04/22</td> <td>SD-78359-001</td> </tr> </table>	DRAWN BY	DATE	TITLE	CCTEH	2007/11/27	DDR3 DIMM, 1.00MM PITCH 240 CKTS, 25 DEG T/H, VLP	CHECKED BY	DATE	CGTAN	2008/04/22	MOLEX INCORPORATED	APPROVED BY	DATE	SHLENI	2008/04/22	SD-78359-001	MATERIAL NO. SEE TABLE	DOCUMENT NO. SD-78359-001	SHEET NO. 5 OF 5
			mm	INCH																																		
		4 PLACES	± ---	± ---																																		
3 PLACES	± ---	± ---																																				
2 PLACES	± 0.25	± ---																																				
1 PLACE	± ---	± ---																																				
DRAWN BY	DATE	TITLE																																				
CCTEH	2007/11/27	DDR3 DIMM, 1.00MM PITCH 240 CKTS, 25 DEG T/H, VLP																																				
CHECKED BY	DATE																																					
CGTAN	2008/04/22	MOLEX INCORPORATED																																				
APPROVED BY	DATE																																					
SHLENI	2008/04/22	SD-78359-001																																				
DRAFT WHERE APPLICABLE MUST REMAIN WITHIN DIMENSIONS			THIS DRAWING CONTAINS INFORMATION THAT IS PROPRIETARY TO MOLEX INCORPORATED AND SHOULD NOT BE USED WITHOUT WRITTEN PERMISSION																																			
2	REV			SIZE A3																																		

9 8 7 6 5 4 3 2 1