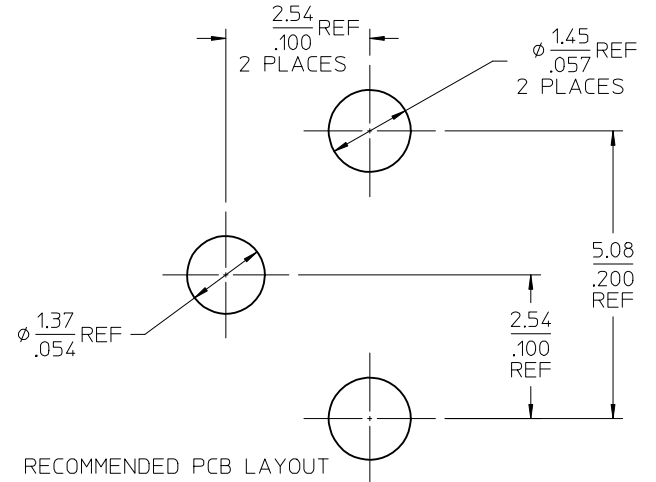
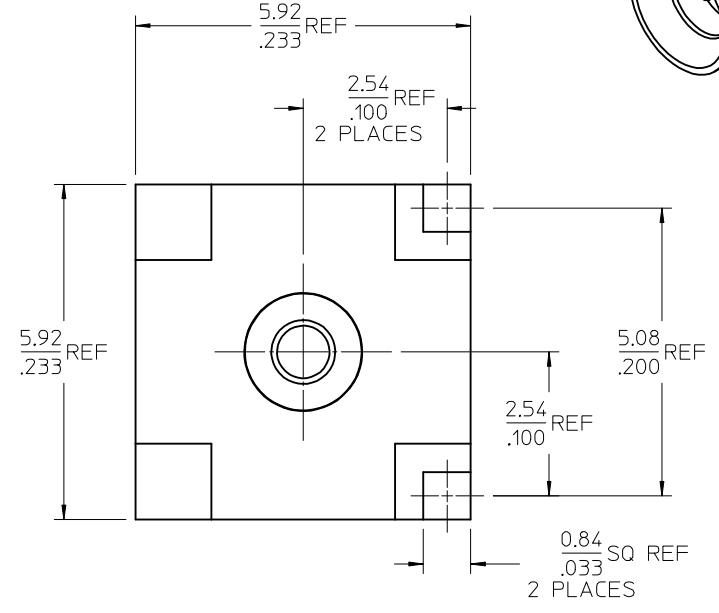
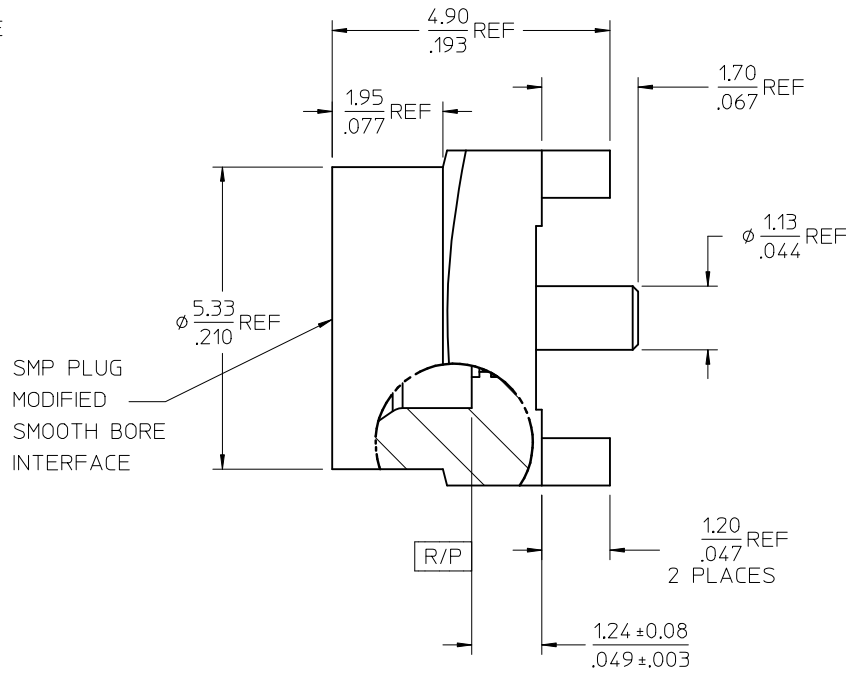
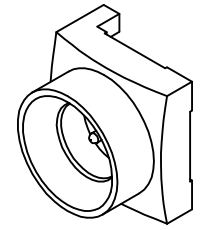


MATERIALS AND FINISHES:

BODY, CONTACT: BRASS
 PLATED: GOLD (30μ-in MIN)
 OVER NICKEL (100μ-in MIN)

INSULATOR: PTFE



PART # 73415-5730

PS-89675-3320	PRODUCT SPECIFICATION
MIL-STD-348B, FIG. 326.5	INTERFACE
SPECIFICATION	DESCRIPTION

CHG: ADD DIMENSION 1.24/.049 IN E8 ZONE. UPD MATERIALS AND FINISHES NOTE. EC NO: URF2017-0403 DRWN:APRAKASH01 2017/06/08 CHKD:BBB 2017/06/08 APPR:AROBERTSON 2017/06/29	QUALITY SYMBOLS	GENERAL TOLERANCES (UNLESS SPECIFIED)	DIMENSION STYLE	SCALE	DESIGN UNITS	THIRD ANGLE PROJECTION	
	$\nabla = 0$ $\nabla = 0$ $\nabla = 0$	mm INCH 4 PLACES ± --- ± --- 3 PLACES ± --- ± .010 2 PLACES ± 0.25 ± --- 1 PLACE ± --- ± --- 0 PLACE ± --- ± ---	MM/IN	DRAWN BY DATE TEF 2005/12/15 CHECKED BY DATE SSS 2005/12/15 APPROVED BY DATE JDW 2005/12/15	TITLE	METRIC	SMP PLUG, MODIFIED INTERFACE, 50 OHMS, PCB EWR-2975 SMP-PC
	DESCRIPTION	ANGULAR ± 2°	MATERIAL NO.	DOCUMENT NO.	SHEET NO.		
	REV	DRAFT WHERE APPLICABLE MUST REMAIN WITHIN DIMENSIONS	734155730	SD-73415-573	1 OF 1		

THIS DRAWING CONTAINS INFORMATION THAT IS PROPRIETARY TO MOLEX INCORPORATED AND SHOULD NOT BE USED WITHOUT WRITTEN PERMISSION	
--	--