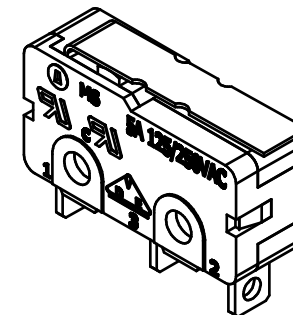
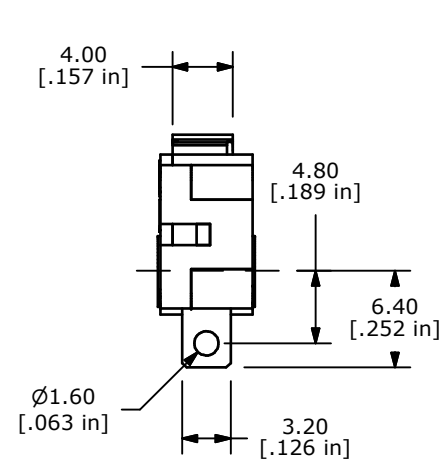
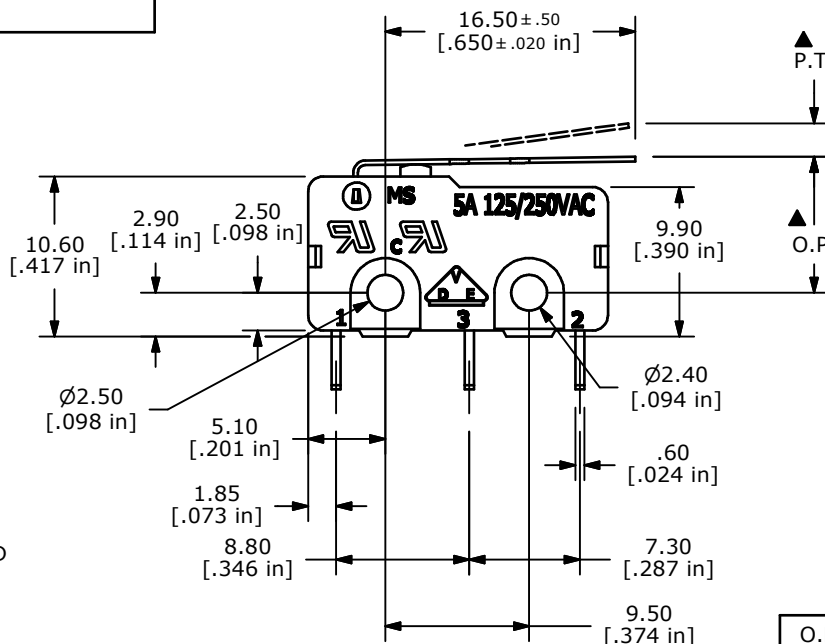
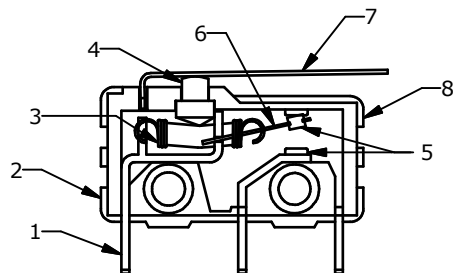
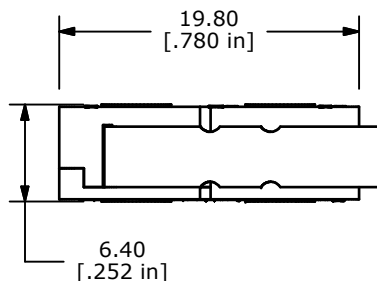


MATERIAL LISTING OF COMPONENTS

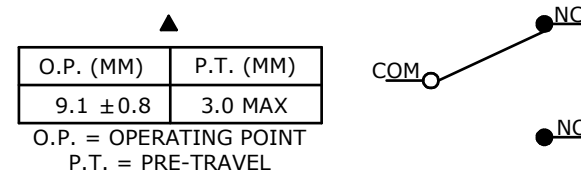
NO.	PART NAME	QTY.	MAT'L CLASS
1	TERMINAL	3	C2680
2	LOWER HOUSING	1	PBT (BLACK)
3	SPRING	1	SUS304
4	BUTTON	1	PBT (BLACK)
5	CONTACT	3	SILVER ALLOY
6	CHANGE PLATE	1	C5210
7	LEVER	1	SUS301
8	UPPER HOUSING	1	PBT (BLACK)



ISOMETRIC



- NOTES:
1. ALL DIMENSIONS IN MM [INCH]
 2. GENERAL TOLERANCE: X.X=±0.4
X.XX=±0.25
 3. RATING: 5A @125/250VAC UL, CUL, VDE APPROVED
 - ▲ 4. OPERATING FORCE: 75±25 GRAMS
 5. OPERATING TEMP: -25°C TO 85°C
 6. ELECTRICAL LIFE: 50,000 CYCLES MIN.
 7. MECHANICAL LIFE: 1,000,000 CYCLES TYP.
 8. INSULATION RESISTANCE: 100 MEGA-OHMS
 9. DIELECTRIC STRENGTH: 1000VAC 1 MINUTE (INITIAL VALUE)
 10. CONTACT RESISTANCE: 100 MILLI-OHMS MAX.
 11. MATERIAL CERTIFICATIONS TO BE SUPPLIED WITH EACH SHIPMENT.
 12. ▲ DENOTES CRITICAL PARAMETER.
 13. 2002/95/EC (ROHS) COMPLIANT



TITLE MS0850502F075S1A SPECIAL

A	18578	RELEASE FOR PRODUCTION	6/30/09	BLR
REV	PCR NO	DESCRIPTION	DATE	BY

SCALE	DATE	DR	DWG	REV
2:1	6/30/2009	BLR	Q970099	A

THE INFORMATION CONTAINED IN THIS DOCUMENT IS PROPRIETARY TO E-SWITCH AND IS NOT TO BE COPIED OR TRANSFERRED