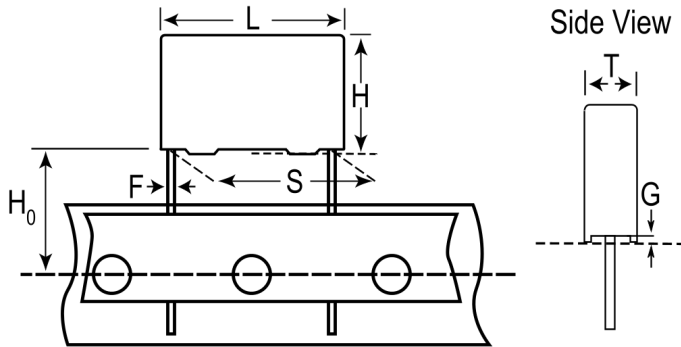


## F873DH473K760R

Obsolete

F873, Film, Metallized Polypropylene, Safety, 0.047 uF, 10%, 760 VAC (X1), 1500 VDC, 110°C, Lead Spacing = 22.5mm



### General Information

Series	F873
Dielectric	Metallized Polypropylene
Style	Radial
Features	Pulse
RoHS	Yes
Lead	Wire Leads
Safety Class	X1
Qualifications	ENEC, UL, cUL, CQC
AEC-Q200	No
THB Performance	No
Shelf Life	104 Weeks

### Specifications

Capacitance	0.047 uF
Capacitance Tolerance	10%
Voltage AC	760 VAC (X1)
Voltage DC	1500 VDC
Temperature Range	-40/+110°C
Rated Temperature	110°C
Dissipation Factor	0.1% 1kHz
Insulation Resistance	30 GOhms
Max dV/dt	300 V/us

Click [here](#) for the 3D model.

### Dimensions

L	26mm -0.5mm
H	16mm -0.5mm
T	8mm -0.5mm
S	22.5mm +/-0.4mm
H <sub>0</sub>	18.5mm +/-0.5mm
F	0.8mm +/-0.05mm
G	0.5mm NOM

### Packaging Specifications

Packaging	Ammo, 360x340x59mm, Box
Packaging Quantity	330

Statements of suitability for certain applications are based on our knowledge of typical operating conditions for such applications, but are not intended to constitute - and we specifically disclaim - any warranty concerning suitability for a specific customer application or use. This information is intended for use only by customers who have the requisite experience and capability to determine the correct products for their application. Any technical advice inferred from this information or otherwise provided by us with reference to the use of our products is given gratis, and we assume no obligation or liability for the advice given or results obtained.