

SPECIFICATION FOR APPROVAL



TO: _____

PART NO.		REV.		DELTA SAMPLE ISSUE NO	
PART NAME	EMI FILTER		DELTA MODEL	55TDVST2-1	
ORDER P/N.	55TDVST2-1		SAMPLE ISSUE DATE		

1. ELECTRICAL CHARACTERISTICS :

- 1-1. VOLTAGE RATING 480 VAC
- 1-2. CURRENT RATING 55 A RMS MAX.
- 1-3. OPERATING FREQUENCY 50/60Hz
- 1-4. LEAKAGE CURRENT : EACH LINE TO GROUND
 - A. AT 480 VAC 50Hz 30 mA MAX.
- 1-5. HIPOT RATING (FOR ONE MINUTE)
 - A. LINE TO GROUND 2250 VDC
 - B. LINE TO LINE 1450 VDC
- 1-6. MINIMUM INSERTION LOSS IN dB

MHz	.01	.05	.10	.15	.50	1.0	5.0	10	30
COM. MODE	/	/	/	55	65	50	30	20	5
DIF. MODE	/	/	/	60	55	45	40	35	5

- 1-7. AMBIENT TEMPERATURE 40°C
- 1-8. TEMPERATURE RANGE -25°C TO +100°C
- 1-9. SAFETY :

REPORT BY	CHECKED BY	APPROVED BY		
			REV.	

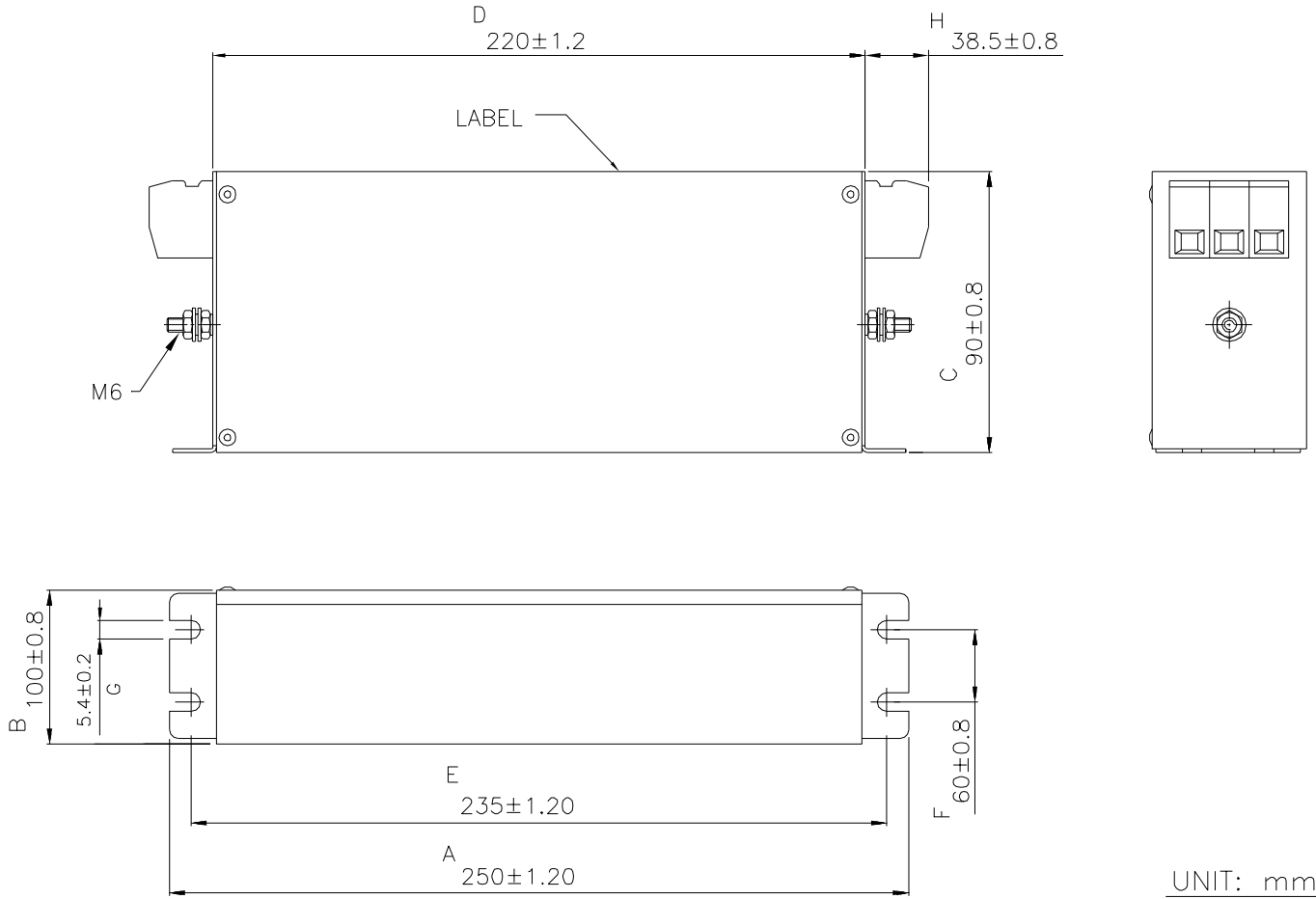
SPECIFICATION FOR APPROVAL



TO: _____

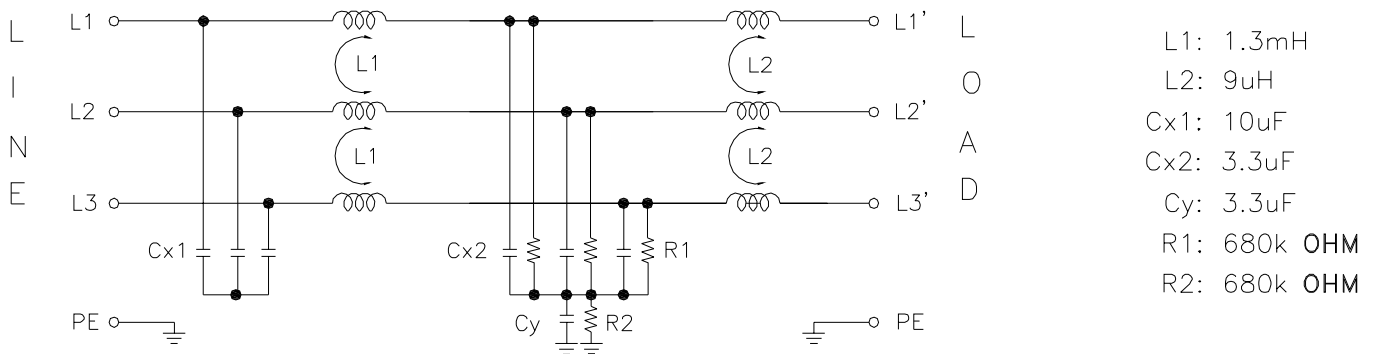
PART NO.		REV.		DELTA SAMPLE ISSUE NO	
PART NAME	EMI FILTER		DELTA MODEL		55TDVST2-1
ORDER P/N.	55TDVST2-1		SAMPLE ISSUE DATE		

2. PHYSICAL DIMENSIONS :



UNIT: mm

3. SCHEMATIC :



REPORT BY	CHECKED BY	APPROVED BY	UNLESS OTHERWISE SPECIFIED DIMENSION TOLERANCE DCEIMALS .X± .XX± ANGLES±		
			REV.		