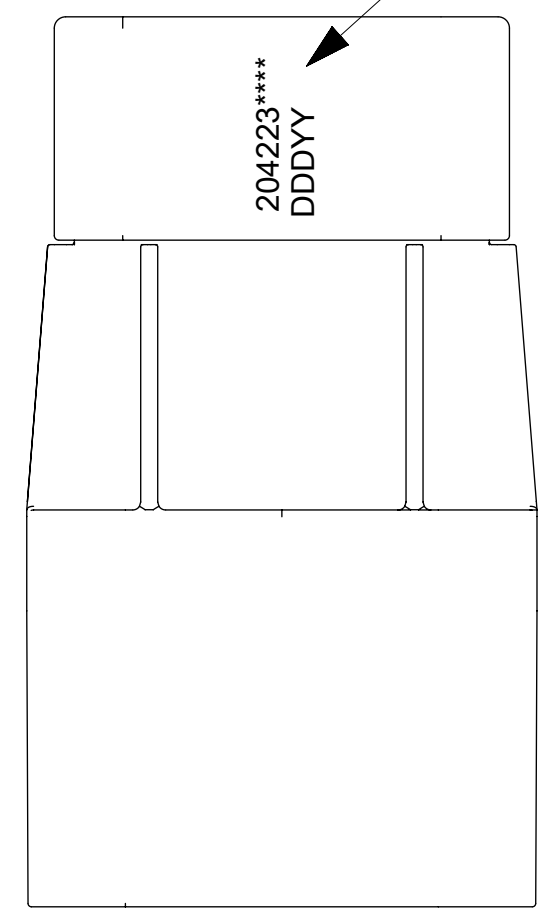


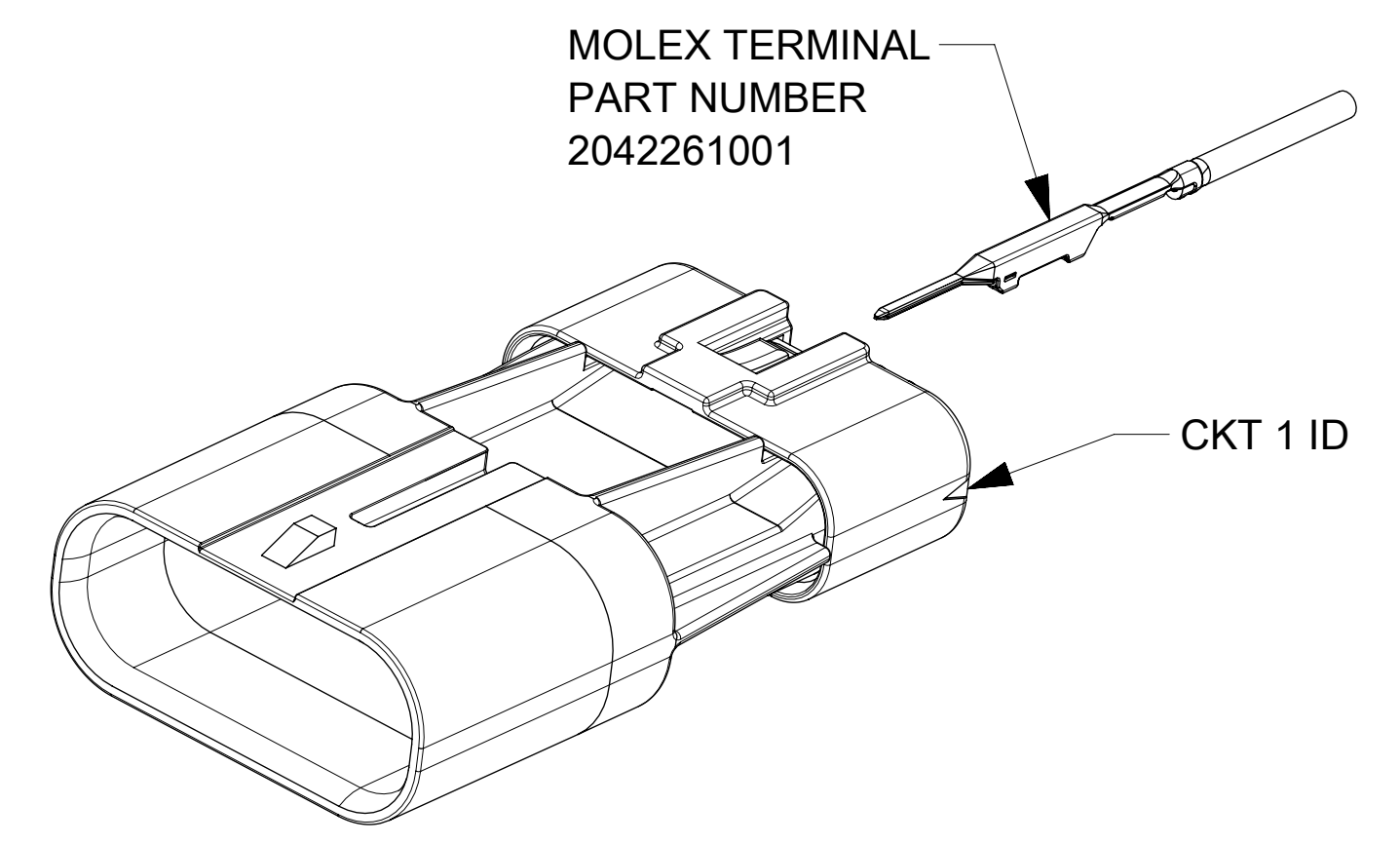
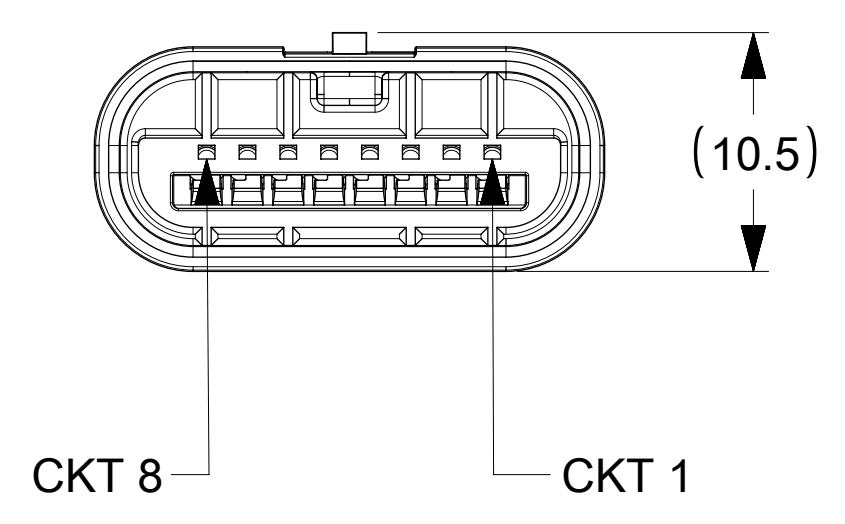
SECTION A-A

LASER MARKED THIS SURFACE WITH MOLEX PART NUMBER AND JULIAN DATE CODE: DDDYY



NOTES:

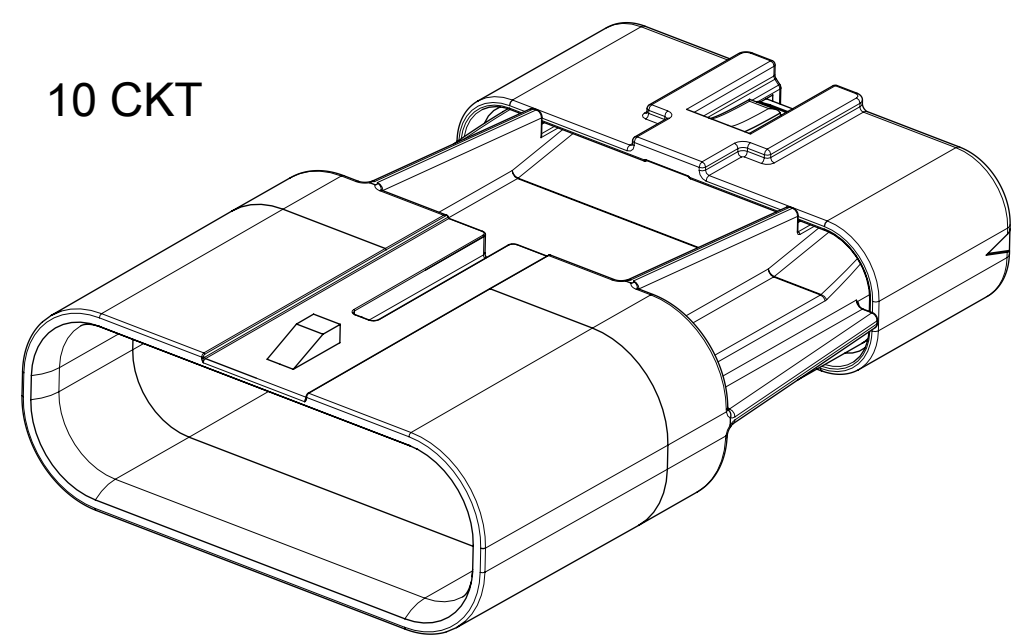
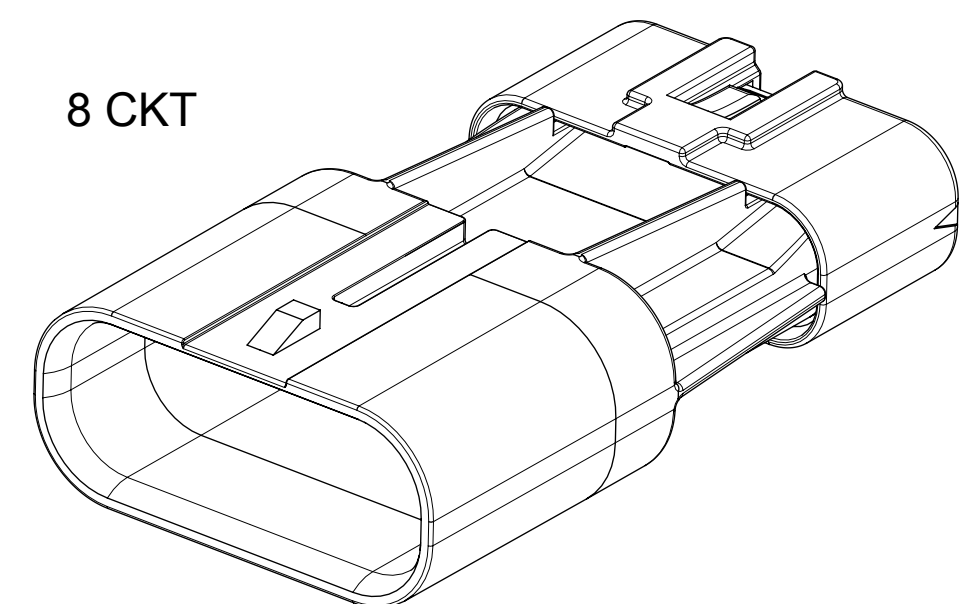
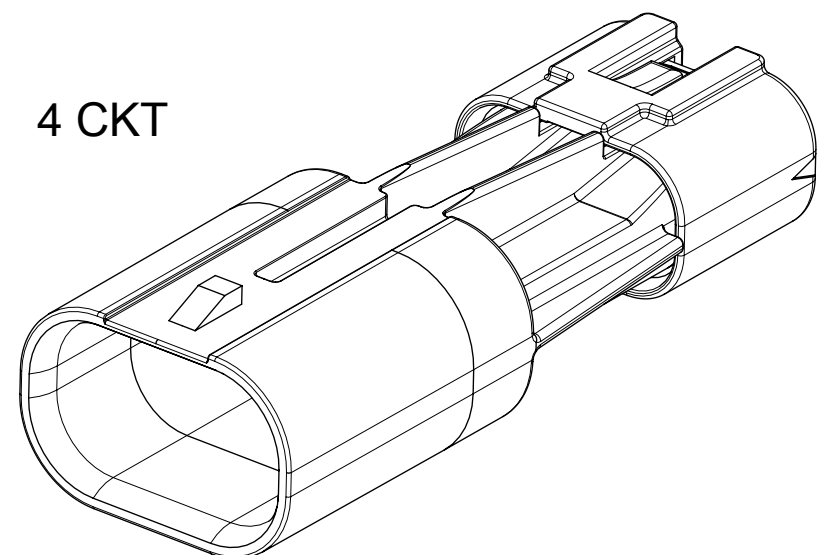
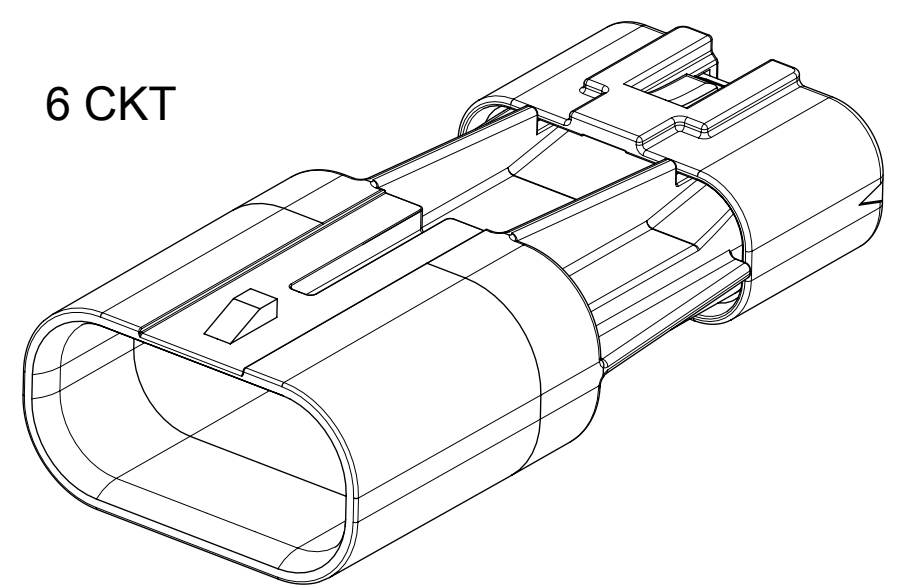
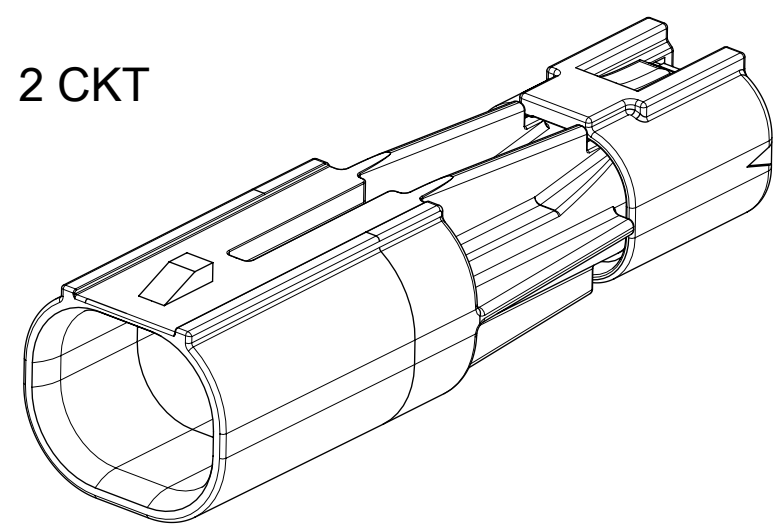
1. MATERIAL:  
HOUSING & REAR SEAL CAP: NYLON, UL94V-0, BLACK  
SEALS: INHERENTLY LUBRICATED SILICONE
2. FINISH: NONE
3. PRODUCT SPECIFICATION: 2042200000-PS
4. APPLICATION SPECIFICATION: 2042200000-AS
5. PACKAGING SPECIFICATION: 2042230000-PK
6. THIS PART MATES WITH RECEPTACLE SERIES 204220.
7. THIS PART USES TERMINAL PART NUMBER 2042261001.
8. THIS PART CONFORMS TO CLASS 'C' REQUIREMENTS OF COSMETIC SPECIFICATION PS-45499-002.
9. VOIDED CIRCUITS HAVE A PLUG IN THE MATTE SEAL TO SEAL THE CIRCUIT AND WILL NOT ACCEPT TERMINALS.



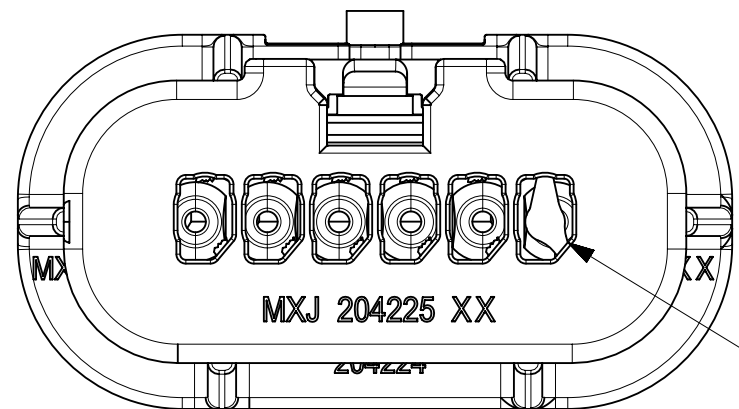
CIRCUIT SIZE	DIM A
2	11.7
4	15.3
6	18.9
8	22.5
10	26.1

THIS DRAWING CONTAINS INFORMATION THAT IS PROPRIETARY TO MOLEX ELECTRONIC TECHNOLOGIES, LLC AND SHOULD NOT BE USED WITHOUT WRITTEN PERMISSION											
FUNCTIONAL SYMBOLS	DIMENSION UNITS	SCALE	CURRENT REV DESC: ADD -9808, -9708, AND -9608								
$\nabla_A = 0$	mm	3:1	<div style="text-align: center;"><b>molex</b></div> <p>PLUG ASSEMBLY SQUBA 1.8</p> <p>PRODUCT CUSTOMER DRAWING</p>								
$\nabla_C = 0$	GENERAL TOLERANCES (UNLESS SPECIFIED)										
$\nabla_P = 0$	ANGULAR TOL ± °										
DIVISIONAL SYMBOLS	4 PLACES ±	3 PLACES ±	2 PLACES ±	1 PLACE ± 0.2	0 PLACES ±	EC NO: 646267			2020/09/08		
	DRAFT WHERE APPLICABLE MUST REMAIN WITHIN DIMENSIONS		THIRD ANGLE PROJECTION			DRAWING		SERIES		MATERIAL NUMBER	
			C-SIZE			204223		2017/05/03		2020/10/01	
								2018/01/26		2020/10/05	
								INITIAL REVISION:		DOCUMENT NUMBER	
								DRWN: TGREGORI		2042230000-SD	
								APPR: RHODGE		PSD 000 A6	
								GENERAL MARKET		SHEET NUMBER	
								1 OF 2			

CIRCUIT SIZE	MATERIAL NUMBER	VOIDED CIRCUIT SEE NOTE 9
2	204223-0002	NONE
4	204223-0004	NONE
6	204223-0006	NONE
8	204223-0008	NONE
10	204223-0010	NONE
2	204223-9902	ALL CIRCUITS VOIDED
4	204223-9904	ALL CIRCUITS VOIDED
6	204223-9906	ALL CIRCUITS VOIDED
8	204223-9908	ALL CIRCUITS VOIDED
10	204223-9910	ALL CIRCUITS VOIDED
4	204223-4004	4
6	204223-6006	6
8	204223-8008	8
10	204223-1110	10
8	204223-9808	1,2,5,6
8	204223-9708	5
8	204223-9608	3,6



AVAILABLE CIRCUIT SIZES



VOIDED CIRCUIT(S)  
HAVE PLUG(S) PRESENT  
SEE NOTE 9

<b>FUNCTIONAL SYMBOLS</b> $\nabla_A = 0$ $\nabla_C = 0$ $\nabla_P = 0$ <b>DIVISIONAL SYMBOLS</b>	THIS DRAWING CONTAINS INFORMATION THAT IS PROPRIETARY TO MOLEX ELECTRONIC TECHNOLOGIES, LLC AND SHOULD NOT BE USED WITHOUT WRITTEN PERMISSION		CURRENT REV DESC: ADD -9808, -9708, AND -9608				
	DIMENSION UNITS	SCALE	EC NO: 646267				
	mm	3:1	DRWN: MKIPPER 2020/09/08				
	GENERAL TOLERANCES (UNLESS SPECIFIED)		CHK'D: DSTEIER 2020/10/01				
ANGULAR TOL ± °		APPR: FSMITH 2020/10/05		PRODUCT CUSTOMER DRAWING			
4 PLACES ±		INITIAL REVISION:		DOCUMENT NUMBER	DOC TYPE		
3 PLACES ±		DRWN: TGREGORI 2017/05/03		2042230000-SD	PSD		
2 PLACES ±		APPR: RHODGE 2018/01/26				DOC PART	REVISION
1 PLACE ± 0.2		DRAWING		SEE CHART	GENERAL MARKET		
0 PLACES ±		SERIES				2 OF 2	
DRAFT WHERE APPLICABLE MUST REMAIN WITHIN DIMENSIONS		THIRD ANGLE PROJECTION	C-SIZE	204223	MATERIAL NUMBER		CUSTOMER