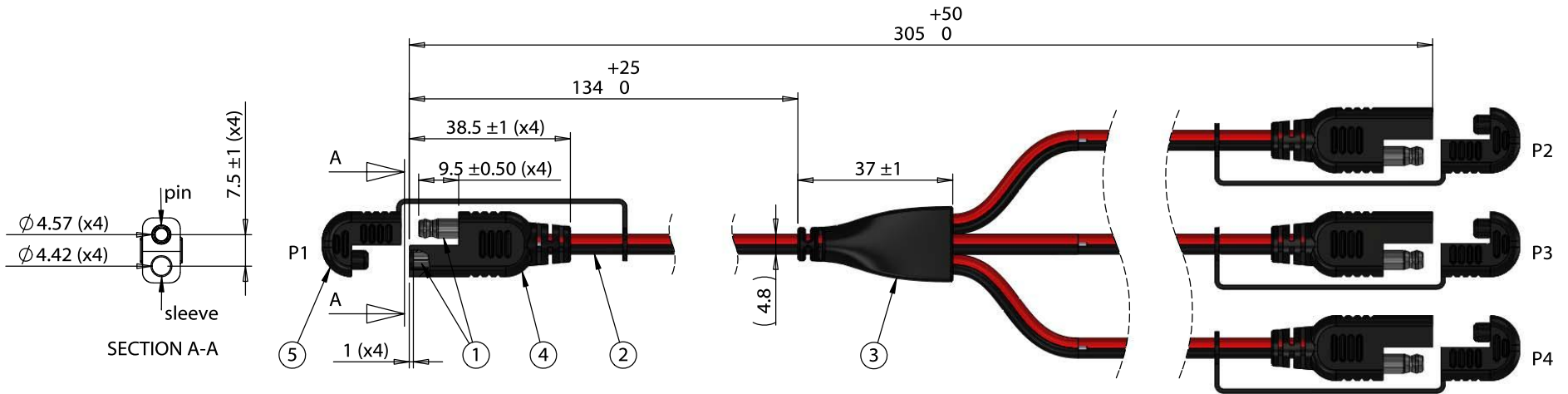


ITEM NO.	PART NUMBER	DESCRIPTION	QTY.	COMPONENT NOTES
1	50-00550	Connector, 4.75x10.2mm SAE, brass nickel plated, molding type	4	
2	30-00792	Wire, 2C TS, 16 AWG, UL2651, 300V, 105C, 4.8 mm, VW-1, PVC, red and black	4	
3	24-00186	Overmold, splitter, Ø 8.0 mm by 10.0x18.0 mm	1	black, 105 °C
4	24-00176	Overmold, SAE connector, PVC, black	4	black, 105 °C
5	55-00059	Dust cap, SAE connector, overmold fit	4	black, 105 °C



P1	wire color	P2 & P3 & P4
pin	red (+)	sleeve
sleeve	black (-)	pin

Notes:
Functionally equivalent components may be substituted

Revision:	Date:	Description:	Prepared:	Notes:	<h1>TENSILITY</h1> <p>tel 1.541.323.3228 800 877.670.7118 fax 1.541.323.4202 web tensility.com</p>
A	1/16/2017	Initial release	PS		
			Verified:	Function test: no open, no short circuit, no intermittent	
			GL	Description:	
			Dimensions are in millimeters. Tolerances: X: ± 0.5 mm X.X: ± 0.3 mm X.XX: ± 0.05 mm	Cable, 305 mm, 50-00550 SAE to W split to three 50-00550 SAE, 16 AWG, UL2651, 30-00792, caps	Size: A
					Part number: 10-02411
					Scale: 2:3
					Sheet 1 of 1