

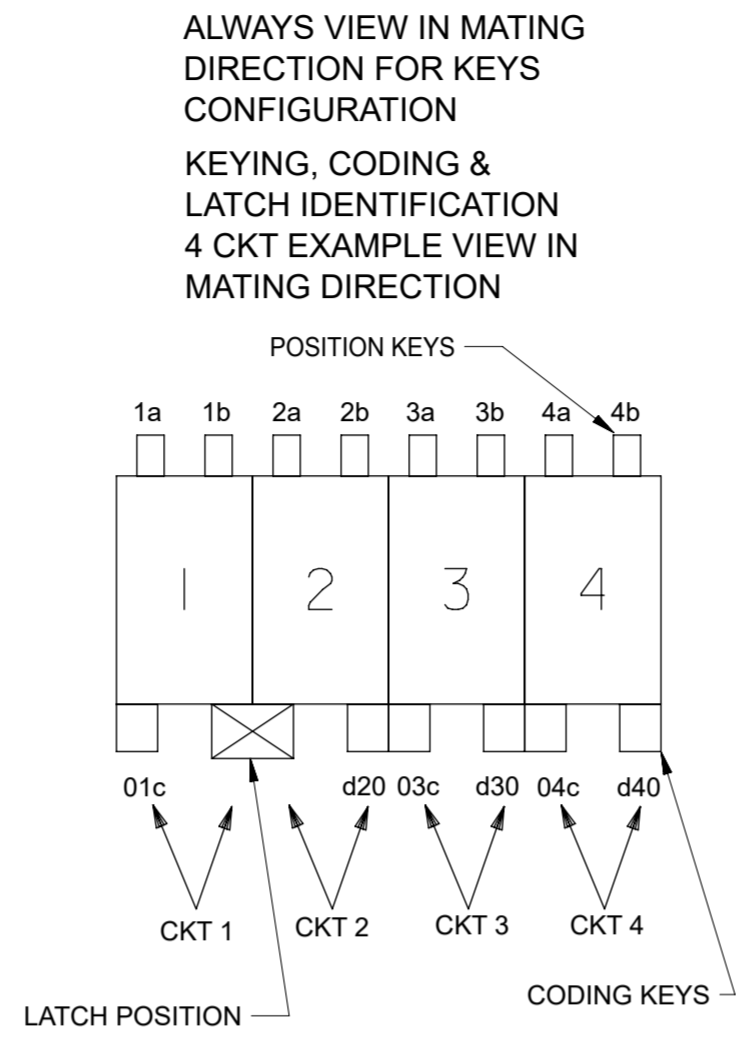
- NOTES:
1. MATERIALS  
HOUSING: PA 66 UL94 V0 COLOUR BLACK  
TERMINALS: PHOSPHOR BRONZE, 0.4MM REF.  
PLATING: 5um MIN PURE TIN
  2. PRODUCT SPECIFICATION RPS-91886-001.
  3. APPLICATION SPECIFICATION AS-99033-0004
  4. SEE SUBSEQUENT SHEETS FOR PART NUMBERS SHOWING THE VARIOUS CODING KEYS AND LATCHING OPTIONS.
  5. SEE PK-90833-001 FOR PACKAGING INFO.

Ckt Size	A	B
2	5.00	9.94
3	10.00	14.93
4	15.00	19.93
5	20.00	24.90
6	25.00	29.90
7	30.00	34.90
8	35.00	39.90
9	40.00	44.90
10	45.00	49.90
11	50.00	54.90
12	55.00	59.90

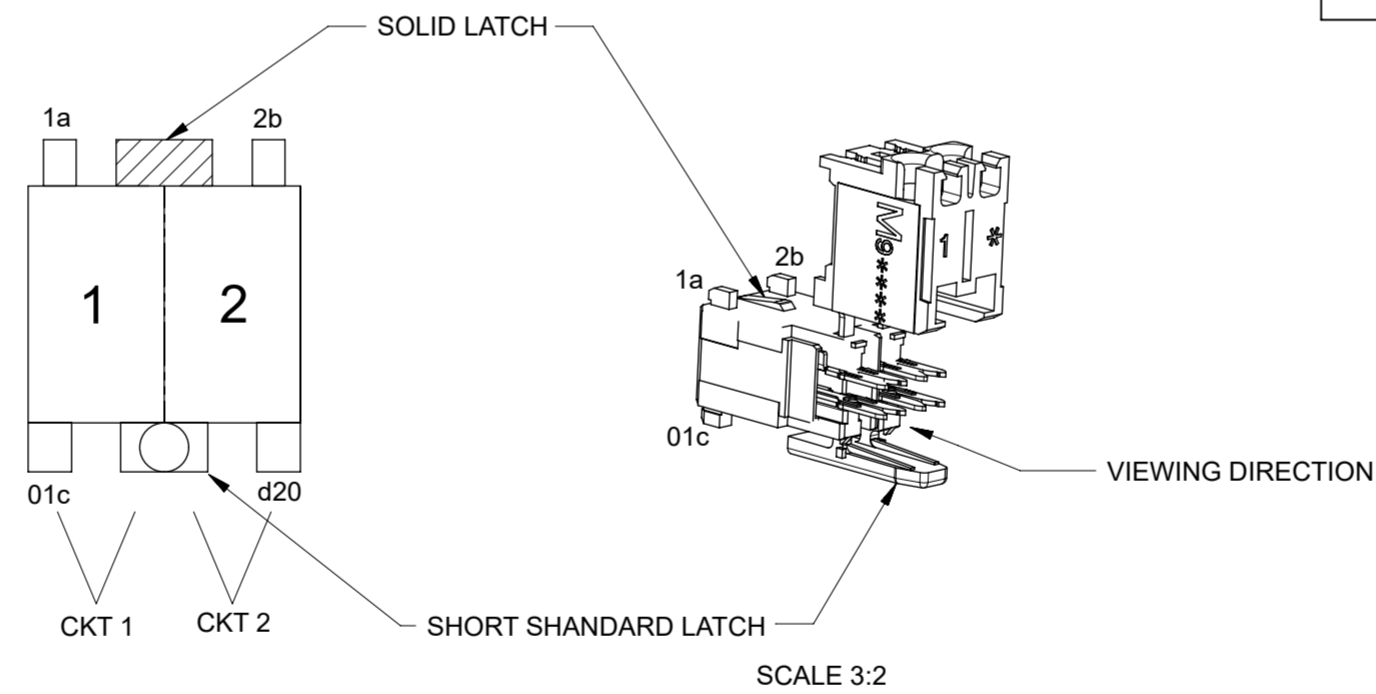
THIS DRAWING CONTAINS INFORMATION THAT IS PROPRIETARY TO MOLEX ELECTRONIC TECHNOLOGIES, LLC AND SHOULD NOT BE USED WITHOUT WRITTEN PERMISSION

DIMENSION UNITS <b>mm</b>	SCALE <b>2:1</b>	CURRENT REV DESC:	<b>molex</b>			
GENERAL TOLERANCES (UNLESS SPECIFIED)	ANGULAR TOL ± 2.0°	EC NO: 678337 DRWN: MBN02 2021/07/16 CHK'D: MBN02 2021/09/20 APPR: SDEVITT 2021/09/30				5MM APPLI-MATE 10A F-INDIRECT CONN ASSY
4 PLACES ±	3 PLACES ± 0.025	INITIAL REVISION:	PRODUCT CUSTOMER DRAWING			
2 PLACES ± 0.05	1 PLACE ± 0.1	DRWN: AKABADI 2016/11/04 APPR: BRUTTLE 2016/12/21	DOCUMENT NUMBER <b>918860001</b>	DOC TYPE PSD	DOC PART 000	REVISION <b>G2</b>
0 PLACES ±	DRAFT WHERE APPLICABLE MUST REMAIN WITHIN DIMENSIONS	THIRD ANGLE PROJECTION	MATERIAL NUMBER SEE CHARTS	CUSTOMER GENERAL MARKET	SHEET NUMBER 1 OF 5	

2 CIRCUIT							
MOLEX PART NO.	HOUSING NO.	COLOUR	POSITION KEYS	CODING KEYS	LATCH POSITION	CONFIGURATION	RIBS
91886-0001	91886-9001	BLACK	ALL	ALL	1/2		NONE
91886-0002	91886-9001	BLACK	2b	01c	1/2		NONE
91886-0003	91886-9001	BLACK	1a	01c	1/2		NONE
91886-0004	91886-9001	BLACK	1a 2b	01c	1/2		NONE
91886-0005	91886-9001	BLACK	1b	01c d20	1/2		NONE
91886-0006	91886-9001	BLACK	1b 2a	01c d20	1/2		NONE
91886-0007	91886-9024	BLACK	NONE	01c d20	1/2 b		NONE
91886-0008	91886-9024	BLACK	NONE	01c	1/2 b		NONE
91886-0009	91886-9023	BLACK	1b 2a	01c	NONE		CKT 2
91886-0010	91886-9024	BLACK	1a 2b	NONE	1/2 b		NONE
91886-0011	91886-9001	BLACK	1b	d20	1/2		NONE
91886-0012	91886-9001	BLACK	1b 2b	01c	1/2		NONE
91886-0013	91886-9001	BLACK	2b	01c d20	1/2		NONE
91886-0014	91886-9024	BLACK	1a 2b	01c	1/2 b		NONE
91886-0015	91886-9001	BLACK	1b	NONE	1/2		NONE
91886-0016	91886-9001	BLACK	2a	01c d20	1/2		NONE
91886-0017	91886-9024	BLACK	1a 2b	01c d20	1/2 b		NONE
91886-0018	91886-9001	BLACK	1a 2b	d20	1/2		NONE



- = STANDARD LATCH
- = SHORT STANDARD LATCH
- = SOLID LATCH



LATCH OPTION 1/2b

3 CIRCUIT							
MOLEX PART NO.	HOUSING NO.	COLOUR	POSITION KEYS	CODING KEYS	LATCH POSITION	CONFIGURATION	RIBS
91886-0101	91886-9031	BLACK	ALL	ALL	1/2		NONE
91886-0102	91886-9032	BLACK	ALL	ALL	2/3		NONE
91886-0103	91886-9031	BLACK	1b	01c d20	1/2		NONE
91886-0104	91886-9031	BLACK	1a	03c	1/2		NONE
91886-0105	91886-9031	BLACK	1a 1b	d30	1/2		NONE
91886-0106	91886-9031	BLACK	1a 2b 2b	d30	1/2		NONE
91886-0107	91886-9032	BLACK	ALL	d10 d30	2/3		NONE
91886-0108	91886-9031	BLACK	1a 3a	01c	1/2		NONE
91886-0109	91886-9031	BLACK	1b 3a	01c	1/2		NONE
91886-0110	91886-9036	BLACK	1a 2b 3a 3b	d20	1/2b		NONE
91886-0111	91886-9033	BLACK	1a 2b 3a 3b	d20	NONE		CKT 2
91886-0112	91886-9001	BLACK	1a 2b	d30	1/2		NONE
91886-0113	91886-9032	BLACK	2a 2b 3a 3b	01c d30	2/3		NONE

THIS DRAWING CONTAINS INFORMATION THAT IS PROPRIETARY TO MOLEX ELECTRONIC TECHNOLOGIES, LLC AND SHOULD NOT BE USED WITHOUT WRITTEN PERMISSION

DIMENSION UNITS <b>mm</b>	SCALE <b>1:1</b>	CURRENT REV DESC:	<b>molex</b>
GENERAL TOLERANCES (UNLESS SPECIFIED)		5MM APPLI-MATE 10A F-INDIRECT CONN ASSY	
ANGULAR TOL ± 2.0°	4 PLACES ±	EC NO: 678337	PRODUCT CUSTOMER DRAWING
3 PLACES ± 0.025	2 PLACES ± 0.05	DRWN: MBN02 2021/07/16	
1 PLACE ± 0.1	0 PLACES ±	CHK'D: MBN02 2021/09/20	DOCUMENT NUMBER
DRAFT WHERE APPLICABLE MUST REMAIN WITHIN DIMENSIONS	THIRD ANGLE PROJECTION	APPR: SDEVITT 2021/09/30	<b>918860001</b>
	DRAWING	INITIAL REVISION:	DOC TYPE
	SERIES	DRWN: AKABADI 2016/11/04	PSD
	MATERIAL NUMBER	APPR: BRUTTLE 2016/12/21	DOC PART
	CUSTOMER		000
	SHEET NUMBER		G2
			2 OF 5

4 CIRCUIT							
MOLEX PART NO.	HOUSING NO.	COLOUR	POSITION KEYS	CODING KEYS	LATCH POSITION	CONFIGURATION	RIBS
91886-0201	91886-9041	BLACK	ALL	ALL	1/2 3/4		NONE
91886-0202	91886-9041	BLACK	1b	03c d40	1/2 3/4		NONE
91886-0203	91886-9041	BLACK	ALL	d20 03c	1/2 3/4		NONE
91886-0204	91886-9041	BLACK	1b	d20 03c	1/2 3/4		NONE
91886-0205	91886-9041	BLACK	1a 4b	d40	1/2 3/4		NONE
91886-0206	91886-9041	BLACK	1a 3a 3b	01c d20 d40	1/2 3/4		NONE
91886-0207	91886-9041	BLACK	1b 2a 3a 4b	01c d40	1/2 3/4		NONE
91886-0208	91886-9041	BLACK	1a 4b	01c	1/2 3/4		NONE
91886-0209	91886-9042	BLACK	3b	d30	2/3		NONE
91886-0210	91886-9041	BLACK	1a 1b 3a 3b	01c 03c	1/2 3/4		NONE
91886-0211	91886-9041	BLACK	1a 2a 4a	01c 03c d40	1/2 3/4		NONE
91886-0212	91886-9041	BLACK	1a 1b 3a 3b	ALL	1/2 3/4		NONE
91886-0213	91886-9043	BLACK	1a 1b 3a 4a 4b	ALL	1/2		NONE
91886-0214	91886-9041	BLACK	2a	NONE	1/2 3/4		NONE
91886-0215	91886-9041	BLACK	1b 2a 4b	01c d20 03c d40	1/2 3/4		NONE
91886-0216	91886-9044	BLACK	1b 3b	d10 03c d40	3/4		NONE
91886-0217	91886-9044	BLACK	1b 3a	02c 03c d40	3/4		NONE
91886-0218	91886-9041	BLACK	2a 3a 3b 4b	01c d20 03c d40	1/2 3/4		NONE

5 CIRCUIT							
MOLEX PART NO.	HOUSING NO.	COLOUR	POSITION KEYS	CODING KEYS	LATCH POSITION	CONFIGURATION	RIBS
91886-0301	91886-9053	BLACK	1a 3a	01c d30	1/2 4/5		NONE
91886-0302	91886-9051	BLACK	1a 5b	01c d20 03c d50	1/2 3/4		NONE
91886-0303	91886-9052	BLACK	2a	01c d50	2/3 4/5		NONE
91886-0304	91886-9052	BLACK	ALL	01c d50	2/3 4/5		NONE
91886-0305	91886-9052	BLACK	ALL	ALL	2/3 4/5		NONE
91886-0306	91886-9051	BLACK	ALL	ALL	1/2 3/4		NONE
91886-0307	91886-9053	BLACK	ALL	ALL	1/2 4/5		NONE
91886-0308	91886-9051	BLACK	2a 4b	01c d20 d40	1/2 3/4		NONE
91886-0309	91886-9053	BLACK	1a 3a	01c d30 d50	1/2 4/5		NONE
91886-0310	91886-9051	BLACK	NONE	01c d40	1/2 3/4		NONE
91886-0311	91886-9051	BLACK	1a 5b	01c d20 03c d50	1/2 3/4		NONE
91886-0312	91886-9052	BLACK	2a	01c d50	2/3 4/5		NONE
91886-0313	91886-9054	BLACK	1a 2b 3b 4b 5b	d10 02c 04c d50	4/5		NONE
91886-0314	91886-9054	BLACK	5b	01c d20 03c d50	4/5		NONE
91886-0315	91886-9051	BLACK	ALL	d20 d40	1/2 3/4		NONE
91886-0316	91886-9051	BLACK	2b	d20 d50	1/2 3/4		NONE
91886-0317	91886-9053	BLACK	3b	d30	1/2 4/5		NONE
91886-0318	91886-9053	BLACK	2b	d20	1/2 4/5		NONE
91886-0319	91886-9051	BLACK	1b	03c d40	1/2 3/4		NONE

THIS DRAWING CONTAINS INFORMATION THAT IS PROPRIETARY TO MOLEX ELECTRONIC TECHNOLOGIES, LLC AND SHOULD NOT BE USED WITHOUT WRITTEN PERMISSION													
DIMENSION UNITS		SCALE		CURRENT REV DESC:									
mm		1:1											
GENERAL TOLERANCES (UNLESS SPECIFIED)				<b>molex</b> 5MM APPLI-MATE 10A F-INDIRECT CONN ASSY PRODUCT CUSTOMER DRAWING DOCUMENT NUMBER: <b>918860001</b>   DOC TYPE: PSD   DOC PART: 000   REVISION: G2									
ANGULAR TOL		± 2.0°								EC NO: 678337		2021/07/16	
4 PLACES		±								DRWN: MBN02		2021/09/20	
3 PLACES		± 0.025								CHK'D: MBN02		2021/09/30	
2 PLACES		± 0.05								APPR: SDEVITT			
INITIAL REVISION:													
1 PLACE		± 0.1		DRWN: AKABADI		2016/11/04							
0 PLACES		±		APPR: BRUTTLE		2016/12/21							
DRAFT WHERE APPLICABLE MUST REMAIN WITHIN DIMENSIONS			THIRD ANGLE PROJECTION		DRAWING		SERIES		MATERIAL NUMBER				
					A2-SIZE		91886		SEE CHARTS				
							GENERAL MARKET		SHEET NUMBER				
									3 OF 5				

### 6 CIRCUIT

MOLEX PART NO.	HOUSING NO.	COLOUR	POSITION KEYS	CODING KEYS	LATCH POSITION	CONFIGURATION	RIBS
91886-0401	91886-9061	BLACK	ALL	ALL	2/3 4/5		NONE
91886-0402	91886-9062	BLACK	1b	03c d60	1/2 5/6		NONE
91886-0403	91886-9062	BLACK	ALL	ALL	1/2 5/6		NONE
91886-0404	91886-9062	BLACK	5b	01c d40	1/2 5/6		NONE
91886-0405	91886-9062	BLACK	1b 6a	d30	1/2 5/6		NONE
91886-0406	91886-9062	BLACK	2b 6b	d40	1/2 5/6		NONE
91886-0407	91886-9063	BLACK	5b	02c 06c	3/4		NONE
91886-0408	91886-9064	BLACK	1b 3a 4b 5a 5b 6b	01c d60	2/3		NONE
91886-0409	91886-9063	BLACK	1b 2a 5b 6b	d50 06c	3/4		NONE
91886-0410	91886-9061	BLACK	ALL	02c d50	2/3 4/5		NONE
91886-0411	91886-9065	BLACK	1a 2b 5b 6a	d10 02c 04c	2/3 5/6		NONE

G2

### 7 CIRCUIT

MOLEX PART NO.	HOUSING NO.	COLOUR	POSITION KEYS	CODING KEYS	LATCH POSITION	CONFIGURATION	RIBS
91886-0501	91886-9071	BLACK	2b	d20 07c	1/2 5/6		NONE
91886-0502	91886-9071	BLACK	ALL	ALL	1/2 5/6		NONE
91886-0503	91886-9071	BLACK	NONE	d20	1/2 5/6		NONE
91886-0504	91886-9072	BLACK	ALL	ALL	2/3 6/7		NONE
91886-0505	91886-9072	BLACK	ALL	02c d50	2/3 6/7		NONE
91886-0506	91886-9073	BLACK	NONE	d20 03c 07c	5/6		NONE
91886-0507	91886-9074	BLACK	1a 6b	03c 07c	4/5		NONE
91886-0508	91886-9071	BLACK	NONE	04c 05c	1/2 5/6		NONE
91886-0509	91886-9071	BLACK	NONE	04c 07c	1/2 5/6		NONE
91886-0510	91886-9071	BLACK	NONE	d20 03c d70	1/2 5/6		NONE
91886-0511	91886-9071	BLACK	NONE	d20 07c	1/2 5/6		NONE
91886-0512	91886-9071	BLACK	NONE	d20 03c	1/2 5/6		NONE
91886-0513	91886-9071	BLACK	ALL	03c d40 07c	1/2 5/6		NONE
91886-0514	91886-9075	BLACK	ALL	03c d40 07c	1/2 3/4 5/6		NONE
91886-0515	91886-9075	BLACK	NONE	d20 03c	1/2 3/4 5/6		NONE

THIS DRAWING CONTAINS INFORMATION THAT IS PROPRIETARY TO MOLEX ELECTRONIC TECHNOLOGIES, LLC AND SHOULD NOT BE USED WITHOUT WRITTEN PERMISSION									
DIMENSION UNITS		SCALE		CURRENT REV DESC:					
mm		1:1		EC NO: 678337 DRWN: MBN02 2021/07/16 CHK'D: MBN02 2021/09/20 APPR: SDEVITT 2021/09/30 INITIAL REVISION: DRWN: AKABADI 2016/11/04 APPR: BRUTTLE 2016/12/21					
GENERAL TOLERANCES (UNLESS SPECIFIED)									
ANGULAR TOL		± 2.0°							
4 PLACES		±							
3 PLACES		± 0.025							
2 PLACES		± 0.05		PRODUCT CUSTOMER DRAWING DOCUMENT NUMBER: 918860001 DOC TYPE: PSD DOC PART: 000 REVISION: G2					
1 PLACE		± 0.1							
0 PLACES		±							
DRAFT WHERE APPLICABLE MUST REMAIN WITHIN DIMENSIONS		THIRD ANGLE PROJECTION		DRAWING		SERIES		MATERIAL NUMBER	
				A2-SIZE		91886		SEE CHARTS	
CUSTOMER				GENERAL MARKET					
SHEET NUMBER				4 OF 5					

8 CIRCUIT							
MOLEX PART NO.	HOUSING NO.	COLOUR	POSITION KEYS	CODING KEYS	LATCH POSITION	CONFIGURATION	RIBS
91886-0601	91886-9081	BLACK	ALL	ALL	3/4 5/6		NONE
91886-0602	91886-9081	BLACK	1b 3a 3b 5a 5b 7a 8a	01c d20 03c 05c 07c	3/4 5/6		NONE
91886-0603	91886-9082	BLACK	ALL	ALL	1/2 7/8		NONE
91886-0604	91886-9082	BLACK	ALL	03c d60	1/2 7/8		NONE
91886-0605	91886-9082	BLACK	2b 8a	03c d60	1/2 7/8		NONE
91886-0606	91886-9083	BLACK	8b	02c d30 07c	2/3 7/8		NONE
91886-0607	91886-9084	BLACK	2b 8a	03c d60	1/2		NONE
91886-0608	91886-9085	BLACK	8b	02c d30	2/3		NONE
91886-0609	91886-9082	BLACK	NONE	d20 03c d60 07c	1/2 7/8		NONE

9 CIRCUIT							
MOLEX PART NO.	HOUSING NO.	COLOUR	POSITION KEYS	CODING KEYS	LATCH POSITION	CONFIGURATION	RIBS
91886-0701	91886-9091	BLACK	ALL	ALL	3/4 6/7		NONE
91886-0702	91886-9091	BLACK	1b 2a 3a 5a 6a 7b 8b	01c 03c d70 08c d90	3/4 6/7		NONE
91886-0703	91886-9093	BLACK	2b 5a	d80	2/3 7/8		NONE
91886-0704	91886-9092	BLACK	1b	03c	5/6		NONE
91886-0705	91886-9094	BLACK	2b 3b 4a 5a 6b	d10 02c 04c 08c d90	2/3 4/5 6/7 8/9		NONE
91886-0706	91886-9095	BLACK	1b 2a 4b 5a 8b 9b	01c d20 d70 08c	1/2 4/5 6/7 8/9		NONE
91886-0707	91886-9096	BLACK	5b 6a	NONE	3/4 7/8		NONE
91886-0708	91886-9097	BLACK	5b 6a	d30 d70	1/2 6/7		NONE
91886-0709	91886-9097	BLACK	5b	d30 04c d70 08c	1/2 6/7		NONE

10 CIRCUIT							
MOLEX PART NO.	HOUSING NO.	COLOUR	POSITION KEYS	CODING KEYS	LATCH POSITION	CONFIGURATION	RIBS
91886-0801	91886-9101	BLACK	ALL	ALL	3/4 7/8		NONE
91886-0802	91886-9101	BLACK	1a 3b 7b 8a	01c d20 d40 05c d100	3/4 7/8		NONE
91886-0803	91886-9102	BLACK	ALL	ALL	4/5 7/8		NONE
91886-0804	91886-9103	BLACK	ALL	ALL	4/5 6/7		NONE
91886-0805	91886-9102	BLACK	1a 10b	07c	4/5 7/8		NONE
91886-0806	91886-9103	BLACK	1b 9a	06c	4/5 6/7		NONE
91886-0807	91886-9104	BLACK	1b	03c	5/6		NONE
91886-0808	91886-9104	BLACK	4b 6b 8a 8b	d100	5/6		NONE
91886-0809	91886-9105	BLACK	4b 6b 8a 8b	06c d100	NONE		NONE

11 CIRCUIT							
MOLEX PART NO.	HOUSING NO.	COLOUR	POSITION KEYS	CODING KEYS	LATCH POSITION	CONFIGURATION	RIBS
91886-0901	91886-9111	BLACK	ALL	ALL	3/4 8/9		NONE
91886-0902	91886-9111	BLACK	1a 2b 3b 4a 4b 5a 7a 8a 9a 10a 11a	01c d40 05c 08c 010c	3/4 8/9		NONE

12 CIRCUIT							
MOLEX PART NO.	HOUSING NO.	COLOUR	POSITION KEYS	CODING KEYS	LATCH POSITION	CONFIGURATION	RIBS
91886-1001	91886-9121	BLACK	ALL	ALL	3/4 9/10		NONE
91886-1002	91886-9121	BLACK	1a 2a 4a 4b 5a 6b 8a 11a	01c 03c 05c 07c d80 d100 11c	3/4 9/10		NONE

THIS DRAWING CONTAINS INFORMATION THAT IS PROPRIETARY TO MOLEX ELECTRONIC TECHNOLOGIES, LLC AND SHOULD NOT BE USED WITHOUT WRITTEN PERMISSION									
DIMENSION UNITS		SCALE		CURRENT REV DESC:					
mm		1:1							
GENERAL TOLERANCES (UNLESS SPECIFIED)				<b>molex</b> 5MM APPLI-MATE 10A F-INDIRECT CONN ASSY PRODUCT CUSTOMER DRAWING DOCUMENT NUMBER: <b>918860001</b>   DOC TYPE: PSD   DOC PART: 000   REVISION: G2					
ANGULAR TOL		± 2.0°							
4 PLACES		±							
3 PLACES		± 0.025							
2 PLACES		± 0.05							
1 PLACE		± 0.1		INITIAL REVISION:					
0 PLACES		±		DRWN: AKABADI		2016/11/04			
DRAFT WHERE APPLICABLE MUST REMAIN WITHIN DIMENSIONS		THIRD ANGLE PROJECTION		DRAWING		SERIES		MATERIAL NUMBER	
				A2-SIZE		91886		SEE CHARTS	
				GENERAL MARKET		CUSTOMER		SHEET NUMBER	
						GENERAL MARKET		5 OF 5	