

THIS DRAWING CONTAINS INFORMATION THAT IS PROPRIETARY TO MOLEX ELECTRONIC TECHNOLOGIES, LLC AND SHOULD NOT BE USED WITHOUT WRITTEN PERMISSION																	
DIMENSION UNITS		SCALE		CURRENT REV DESC: REMASTERED TO NX													
mm		NTS		<p>I-TRAC BACKPLANE 7 ROW GUIDE RIGHT ASSEMBLY SALES DRAWING</p> <p>PRODUCT CUSTOMER DRAWING</p>													
GENERAL TOLERANCES (UNLESS SPECIFIED)																	
ANGULAR TOL ± 0.5°																	
4 PLACES		±															
3 PLACES		±															
2 PLACES		± 0.13															
1 PLACE		± 0.25															
0 PLACES		±		EC NO: 671119				2021/07/08									
DRAFT WHERE APPLICABLE MUST REMAIN WITHIN DIMENSIONS				THIRD ANGLE PROJECTION				DRAWING		SERIES		DOCUMENT NUMBER					
								C-SIZE		76015		SD-76015-004					
										MATERIAL NUMBER		CUSTOMER					
										SEE TABLE		GENERAL MARKET					
DOCUMENT STATUS				P1				RELEASE DATE				2022/02/18 05:04:13					
DOC TYPE		DOC PART		REVISION		DOC TYPE		DOC PART		REVISION		DOC TYPE		DOC PART		REVISION	
PSD		001		G1		PSD		001		G1		PSD		001		G1	
SHEET NUMBER				1 OF 4													

76015-****

MODULE TYPE -- TAIL PLATING TYPE
GUIDE RIGHT -- TIN ONLY = 4 (PREVIOUSLY TIN/LEAD)
GUIDE RIGHT -- TIN ONLY = 5
GUIDE RIGHT W/END -- TIN ONLY = 8 (PREVIOUSLY TIN/LEAD)
GUIDE RIGHT W/END -- TIN ONLY = 9

OF COLUMNS
4 = 4 COL
6 = 6 COL
1 = 10 COL

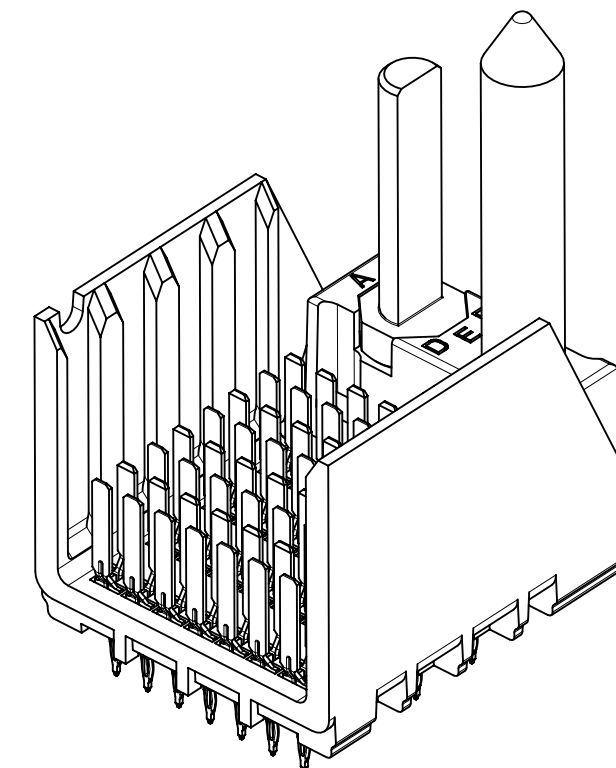
KEY ORIENTATION
0 = NO KEY
1 = A
2 = B
3 = C
4 = D
5 = E
6 = F
7 = G
8 = H

PIN LENGTH (P)
2 = 3.90 - 30 GOLD
3 = 4.70 - 30 GOLD
4 = 5.70 - 30 GOLD
5 = 4.70 & 5.70 - 30 GOLD STAGGERED
6 = 3.90 - 10 GOLD
7 = 4.70 - 10 GOLD
8 = 5.70 - 10 GOLD
9 = 4.70 & 5.70 - 10 GOLD STAGGERED

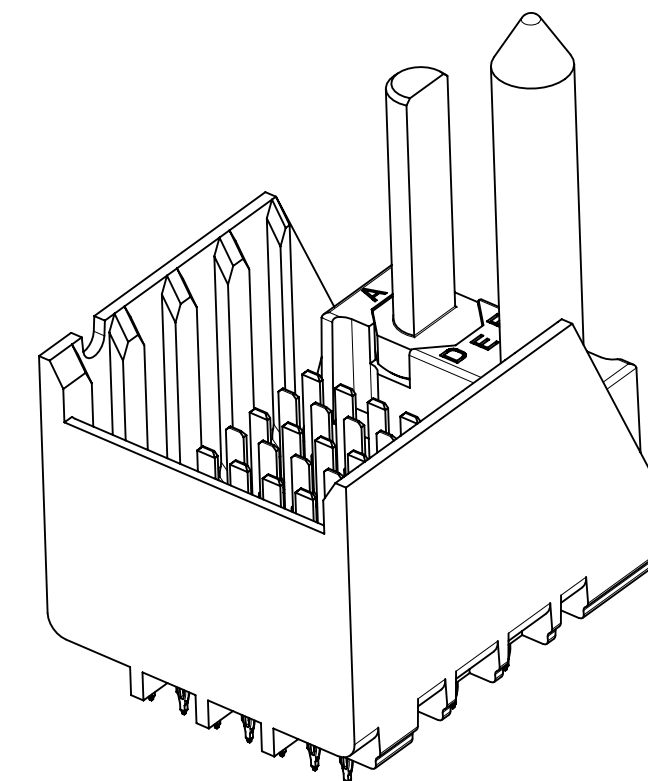
MATERIAL NUMBER	# OF COLUMNS	DIM "A"	DIM "B"
76015-4**	4	21.1	11.10
76015-6**	6	28.5	18.50
76015-1**	10	43.3	33.30

MATERIAL NUMBER	# OF COLUMNS	DIM "A"	DIM "B"
76015-4**	4	22.4	11.10
76015-6**	6	29.8	18.50
76015-1**	10	44.6	33.30

GUIDE RIGHT STYLE



GUIDE RIGHT W/END STYLE

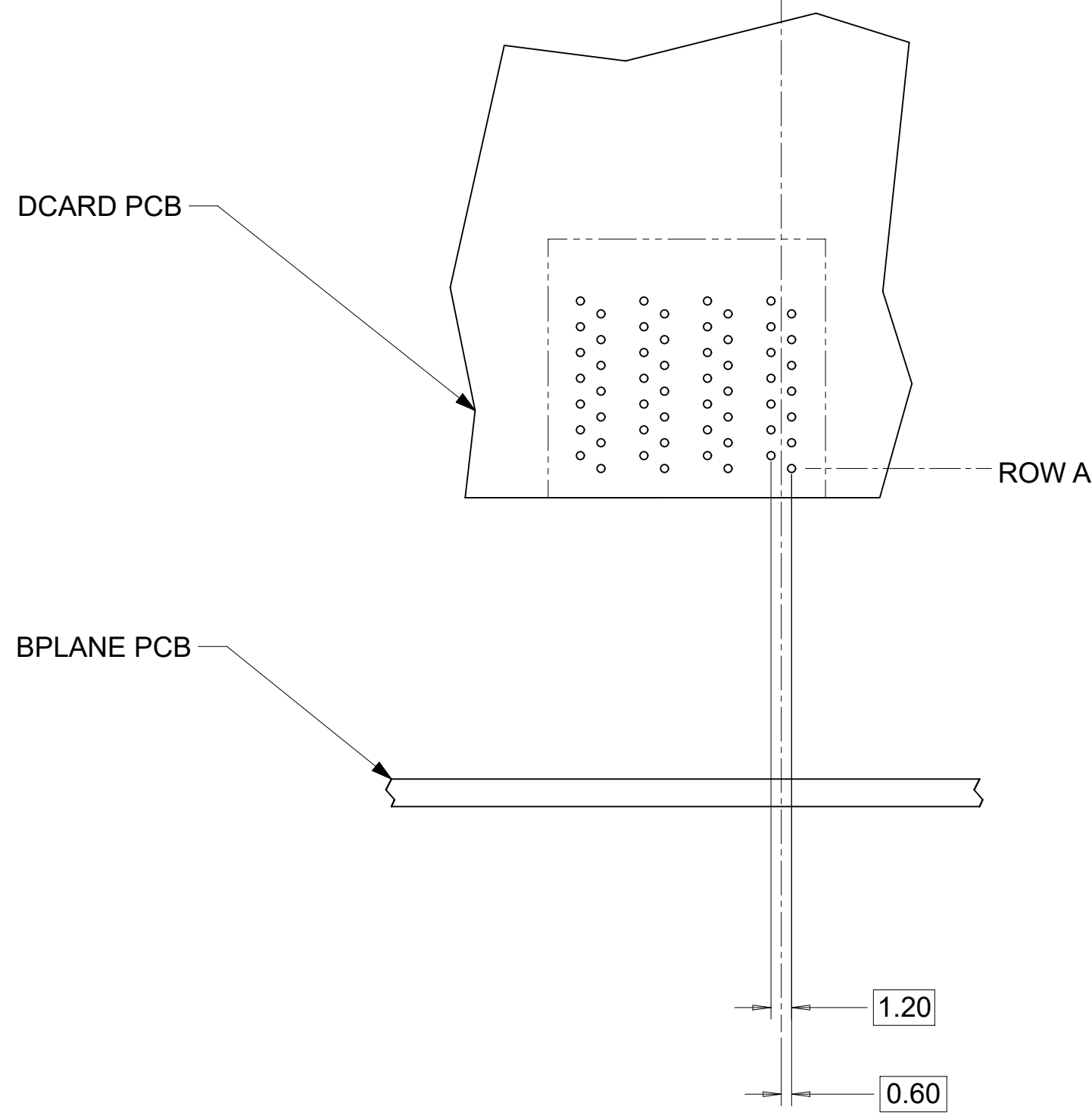
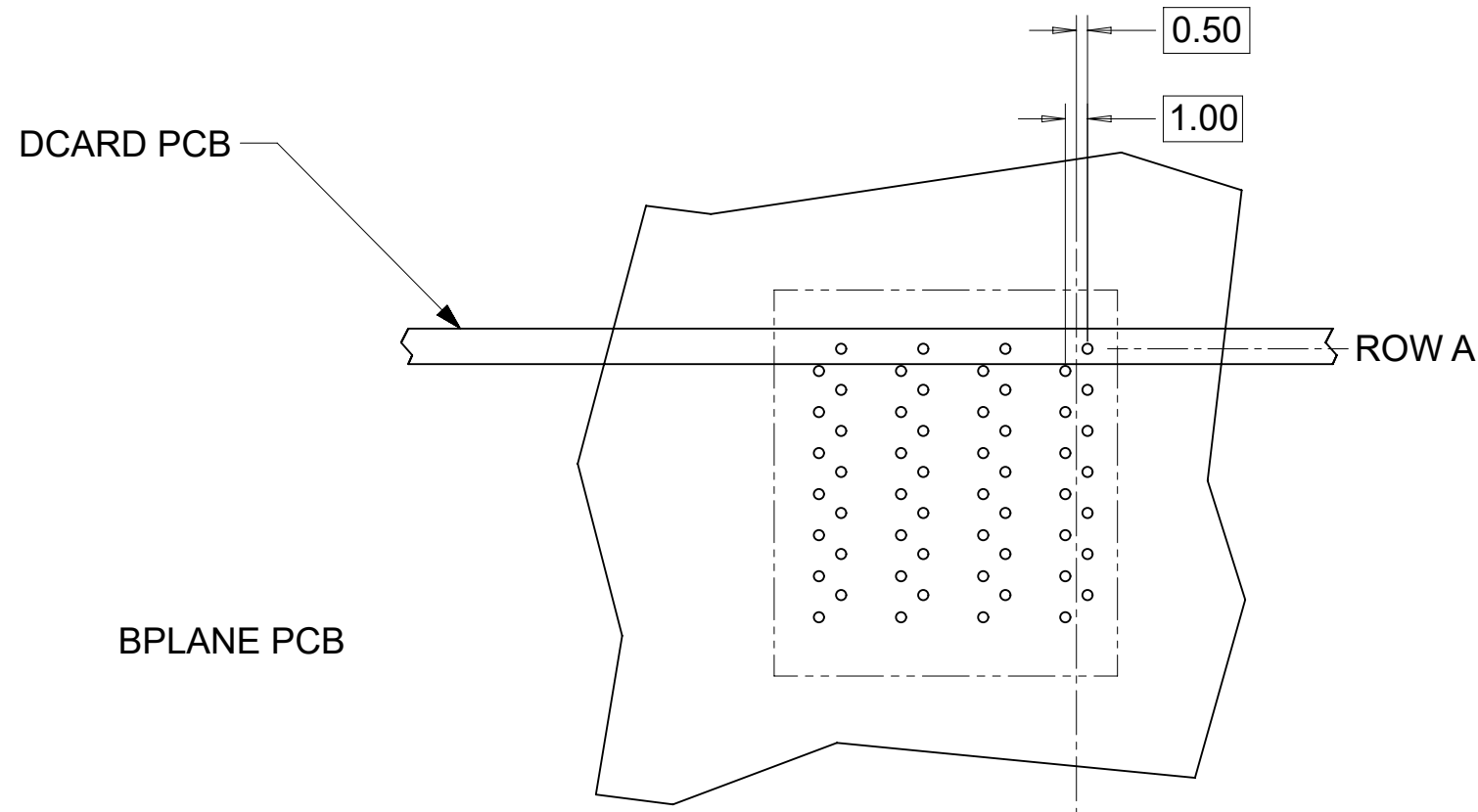


NOTES:

- MATERIALS: HOUSING - LIQUID CRYSTAL POLYMER (LCP) GLASS-FILLED, UL94V-0
TERMINALS - HIGH PERFORMANCE COPPER ALLOY
- FINISH: 10 MICROINCH MINIMUM GOLD OR 30 MICROINCH MINIMUM GOLD IN CONTACT AREA. SELECTIVE MATTE TIN ON PCB TAILS, NICKEL OVERALL.
- REFER TO MOLEX PRODUCT SPECIFICATION PS-75710-999 FOR PERFORMANCE SPECIFICATIONS.
- FOR MIXED CONTACT MATING LENGTHS, CONSULT MOLEX FOR AVAILABILITY.
- THIS PART CONFORMS TO CLASS B REQUIREMENTS OF COSMETIC SPEC PS-45499-002.
- PACKAGE PER: PK-70873-802.
- GUIDED PARTS TO BE SHIPPED WITH 2-56 UNC B SCREW P/N 73774-1000.
- FOR GROUNDED GUIDE PINS USE DIA 3.56 +/-0.08 (PTH), DIA 3.66 (DRILL), AND DIA 6.5 (PAD).
- REFER TO PCB ROUTING GUIDE FOR ANTI-PAD AND ROUTING RECOMMENDATIONS.

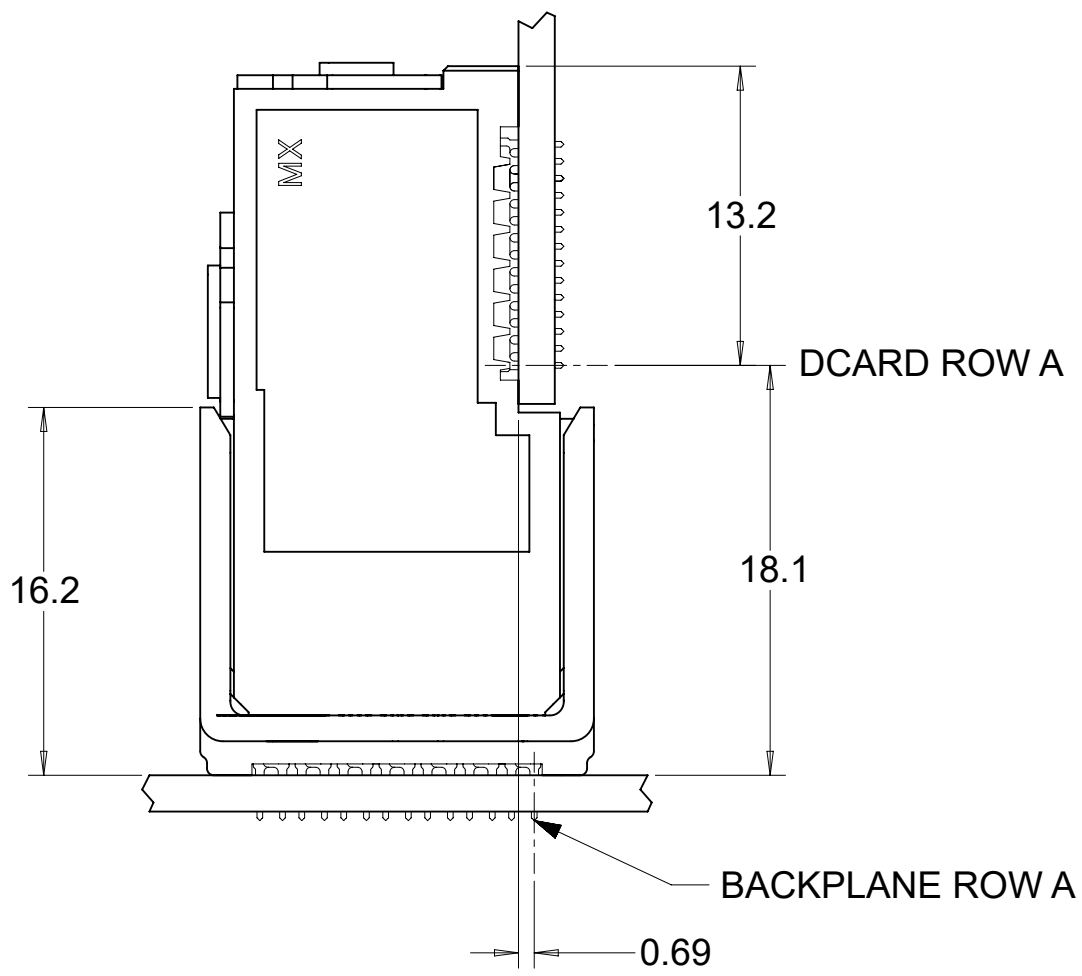
THIS DRAWING CONTAINS INFORMATION THAT IS PROPRIETARY TO MOLEX ELECTRONIC TECHNOLOGIES, LLC AND SHOULD NOT BE USED WITHOUT WRITTEN PERMISSION												
DIMENSION UNITS	SCALE	CURRENT REV DESC: REMASTERED TO NX				molex						
mm	NTS											
GENERAL TOLERANCES (UNLESS SPECIFIED)		EC NO: 671119		2021/07/08		I-TRAC BACKPLANE 7 ROW GUIDE RIGHT ASSEMBLY SALES DRAWING						
ANGULAR TOL ± 0.5°		DRWN: YOGEEB		2022/02/03								
4 PLACES ±		CHK'D: VINODM3		2022/02/18		PRODUCT CUSTOMER DRAWING						
3 PLACES ±		APPR: CWANG25										
2 PLACES ± 0.13		INITIAL REVISION:		2007/02/08		DOCUMENT NUMBER SD-76015-004						
1 PLACE ± 0.25		DRWN: BPISZCZOR		2007/02/09								
0 PLACES ±		APPR: JLAURX				DOC TYPE PSD		DOC PART 001		REVISION G1		
DRAFT WHERE APPLICABLE MUST REMAIN WITHIN DIMENSIONS		THIRD ANGLE PROJECTION		DRAWING C-SIZE		SERIES 76015		MATERIAL NUMBER SEE TABLE		CUSTOMER GENERAL MARKET		SHEET NUMBER 2 OF 4

DOCUMENT STATUS	P1	RELEASE DATE	2022/02/18	05:04:13
-----------------	----	--------------	------------	----------



7 ROW I-TRAC BOARD RELATIONSHIPS

SCALE 2:1

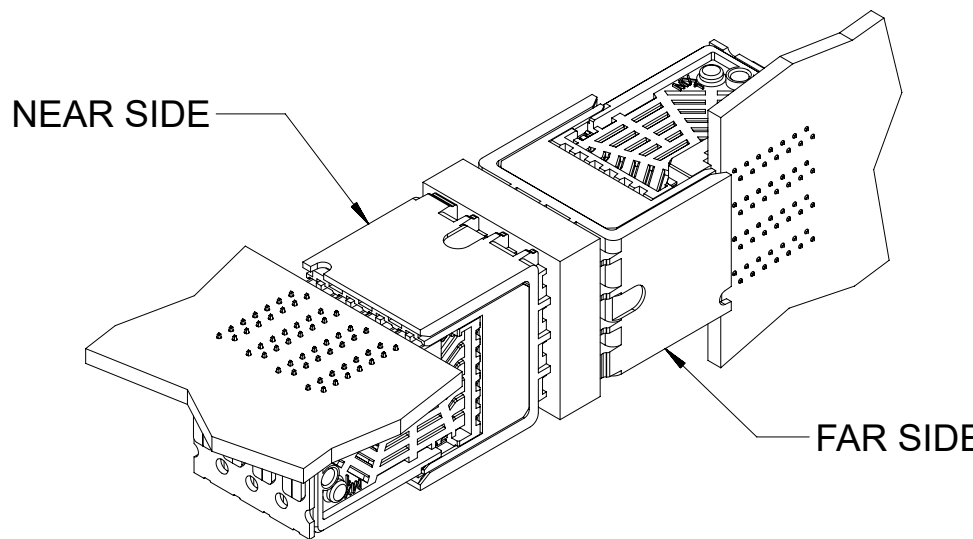
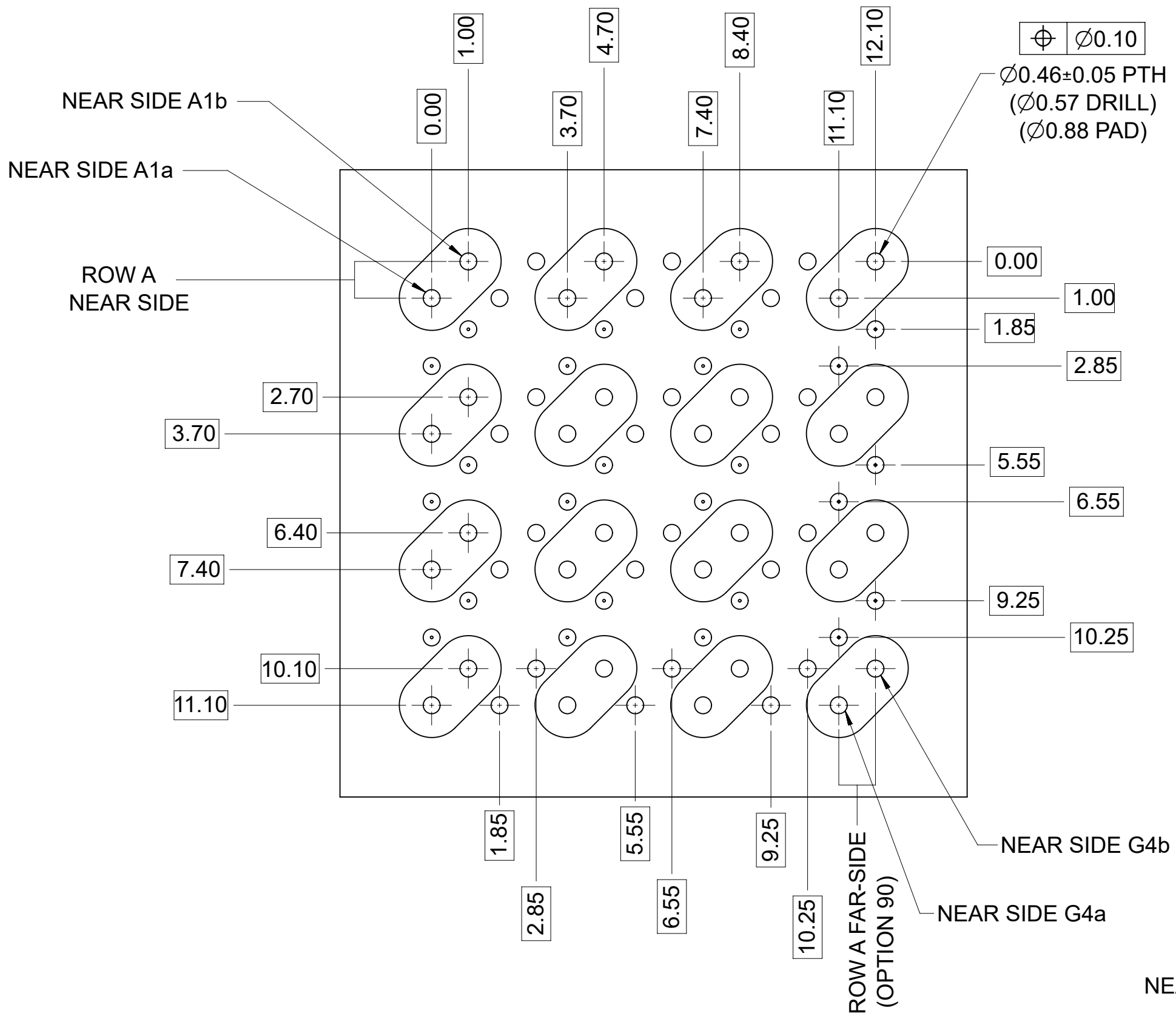


THIS DRAWING CONTAINS INFORMATION THAT IS PROPRIETARY TO MOLEX ELECTRONIC TECHNOLOGIES, LLC AND SHOULD NOT BE USED WITHOUT WRITTEN PERMISSION

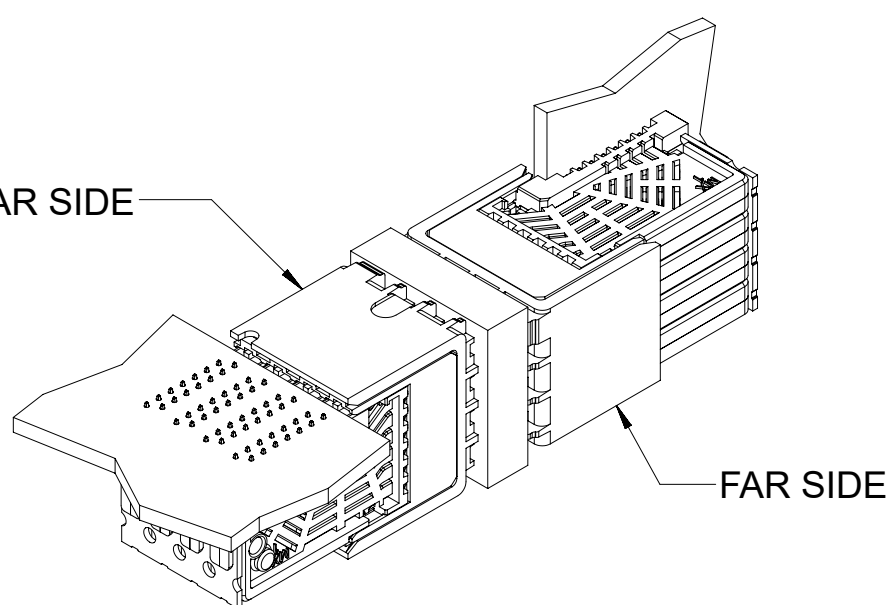
DIMENSION UNITS	SCALE	CURRENT REV DESC: REMASTERED TO NX		molex			
mm	NTS			I-TRAC BACKPLANE 7 ROW GUIDE RIGHT ASSEMBLY SALES DRAWING			
GENERAL TOLERANCES (UNLESS SPECIFIED)				PRODUCT CUSTOMER DRAWING			
ANGULAR TOL	± 0.5°	EC NO: 671119					
4 PLACES	±	DRWN: YOGEEB		2021/07/08			
3 PLACES	±	CHK'D: VINODM3		2022/02/03			
2 PLACES	± 0.13	APPR: CWANG25		2022/02/18			
1 PLACE	± 0.25	INITIAL REVISION:					
0 PLACES	±	DRWN: BPISZCZOR		2007/02/08			
		APPR: JLAURX		2007/02/09			
DRAFT WHERE APPLICABLE MUST REMAIN WITHIN DIMENSIONS		THIRD ANGLE PROJECTION 	DRAWING C-SIZE	SERIES 76015	MATERIAL NUMBER SEE TABLE	CUSTOMER GENERAL MARKET	SHEET NUMBER 3 OF 4
DOCUMENT STATUS		P1	RELEASE DATE		2022/02/18	05:04:13	

ORTHO PIN MAPPING			
OPTION 90 (NEAR SIDE - FAR SIDE)			
A1b-G4b	A2b-E4b	A3b-C4b	A4b-A4b
A1a-G4a	A2a-E4a	A3a-C4a	A4a-A4a
C1b-G3b	C2b-E3b	C3b-C3b	C4b-A3b
C1a-G3a	C2a-E3a	C3a-C3a	C4a-A3a
E1b-G2b	E2b-E2b	E3b-C2b	E4b-A2b
E1a-G2a	E2a-E2a	E3a-C2a	E4a-A2a
G1b-G1b	G2b-E1b	G3b-C1b	G4b-A1b
G1a-G1a	G2a-E1a	G3a-C1a	G4a-A1a

ORTHO PIN MAPPING			
OPTION 270 (NEAR SIDE - FAR SIDE)			
A1b-A1a	A2b-C1a	A3b-E1a	A4b-G1a
A1a-A1b	A2a-C1b	A3a-E1b	A4a-G1b
C1b-A2a	C2b-C2a	C3b-E2a	C4b-G2a
C1a-A2b	C2a-C2b	C3a-E2b	C4a-G2b
E1b-A3a	E2b-C3a	E3b-E3a	E4b-G3a
E1a-A3b	E2a-C3b	E3a-E3b	E4a-G3b
G1b-A4a	G2b-C4a	G3b-E4a	G4b-G4a
G1a-A4b	G2a-C4b	G3a-E4b	G4a-G4b



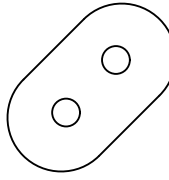


OPTION 90




OPTION 270

Orthogonal PCB Layout

NOTES:

-  SIGNAL PAIRS (SHARED VIAS)
-  NEAR SIDE GROUNDS
-  FAR SIDE GROUNDS

THIS DRAWING CONTAINS INFORMATION THAT IS PROPRIETARY TO MOLEX ELECTRONIC TECHNOLOGIES, LLC AND SHOULD NOT BE USED WITHOUT WRITTEN PERMISSION										
DIMENSION UNITS	SCALE	CURRENT REV DESC: REMASTERED TO NX			 I-TRAC BACKPLANE 7 ROW GUIDE RIGHT ASSEMBLY SALES DRAWING					
mm	NTS	EC NO: 671119								
GENERAL TOLERANCES (UNLESS SPECIFIED)		DRWN: YOGEEB 2021/07/08								
ANGULAR TOL	± 0.5°	CHK'D: VINODM3 2022/02/03			PRODUCT CUSTOMER DRAWING					
4 PLACES	±	APPR: CWANG25 2022/02/18			DOCUMENT NUMBER					
3 PLACES	±	INITIAL REVISION:			SD-76015-004					
2 PLACES	± 0.13	DRWN: BPISZCZOR 2007/02/08			DOC TYPE					
1 PLACE	± 0.25	APPR: JLAURX 2007/02/09			PSD					
0 PLACES	±	THIRD ANGLE PROJECTION			DOC PART					
DRAFT WHERE APPLICABLE MUST REMAIN WITHIN DIMENSIONS		DRAWING		SERIES		MATERIAL NUMBER		CUSTOMER		SHEET NUMBER
		C-SIZE		76015		SEE TABLE		GENERAL MARKET		4 OF 4