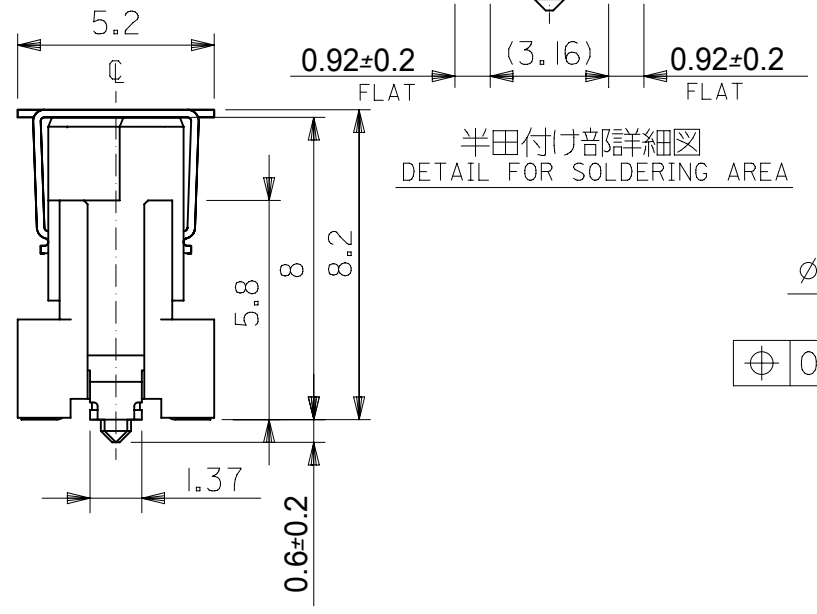
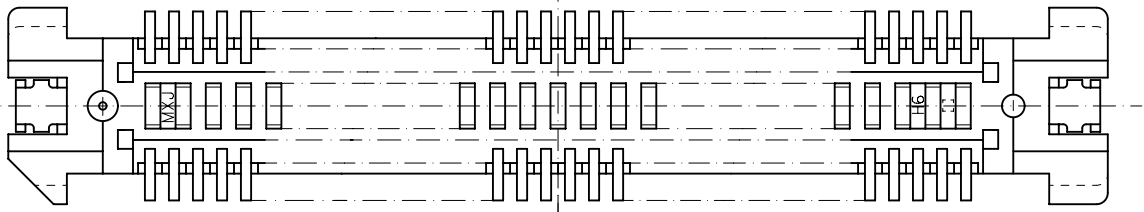
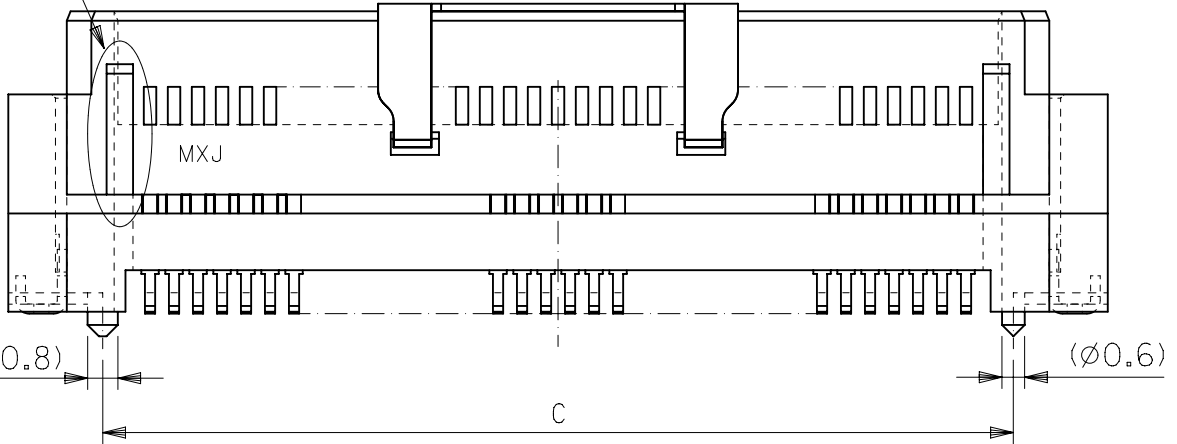
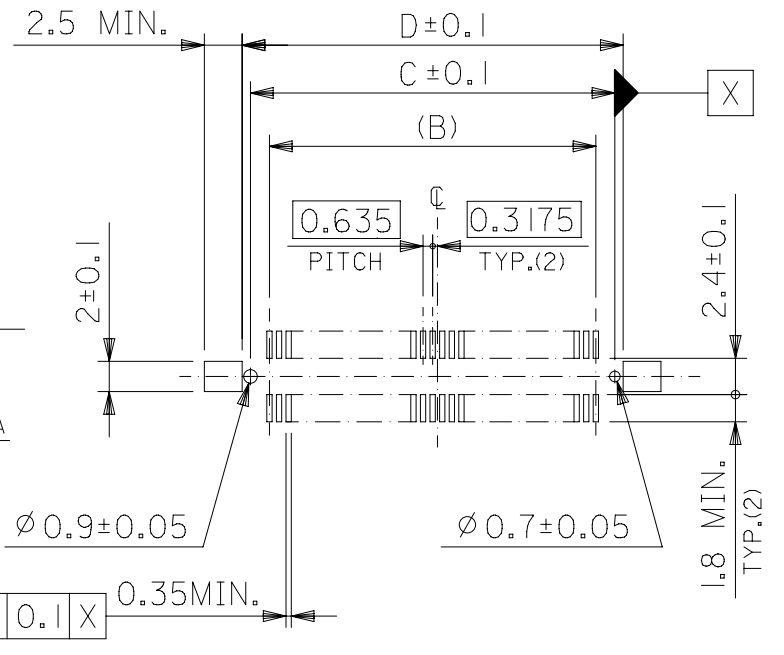


ハウジングロック (表参照)
HS'G LOCK (SEE TABLE)



半田付け部詳細図
DETAIL FOR SOLDERING AREA



推奨基板寸法
RECOMMENDED PCB PATTERN LAYOUT
(SCALE:2-1)

注)
NOTES

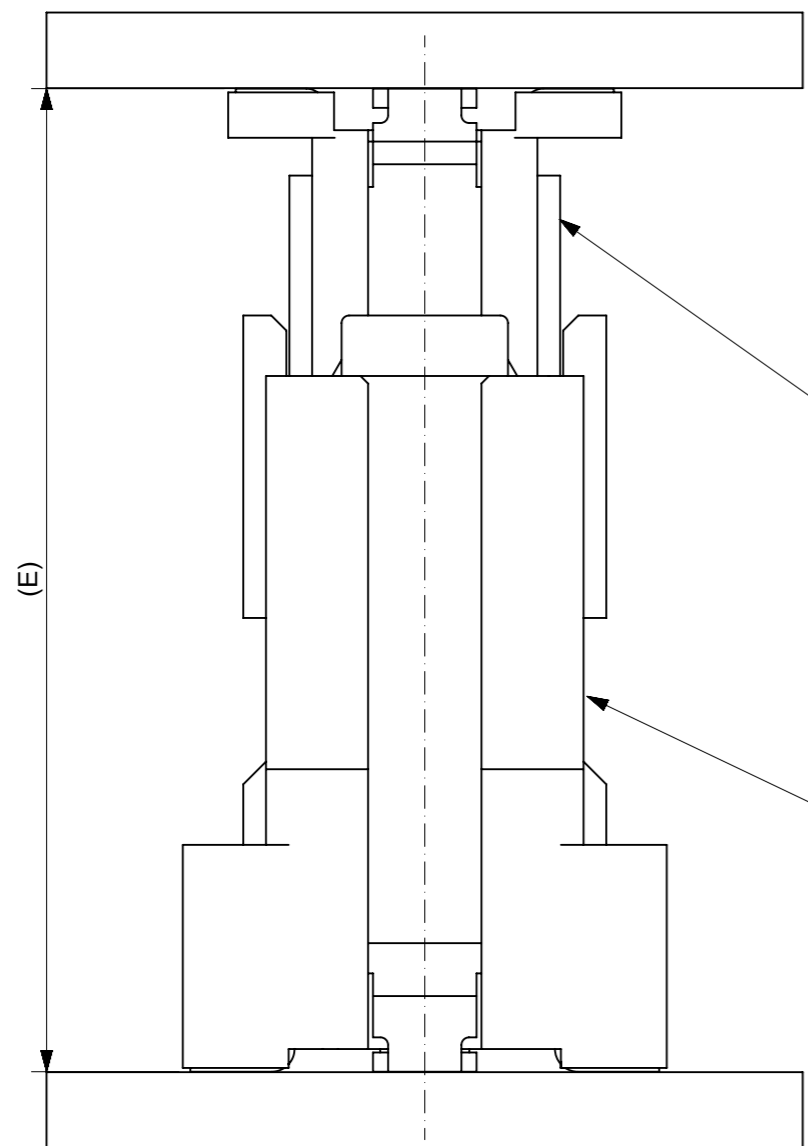
1.材質
MATERIAL
ハウジング: ガラス入りPPS、茶色、UL94V-0
HOUSING: G.F.PPS, BROWN, UL94V-0
ターミナル: 銅合金 (t=0.2)
TERMINAL: COPPER ALLOY
フィッティングネール: 銅合金 (t=0.2)
FITTING NAIL: COPPER ALLOY
吸着カバー: ステンレス (t=0.2)
VACUUM COVER: STAINLESS STEEL

3.テールのバラツキ寸法
TAIL COPLANARITY
テール平坦度は、0.1MAX. とする。
TAIL COPLANARITY TO BE 0.1MAX.
4.本製品は 53649-***2の鉛フリー品である。
THIS PRODUCT IS LEAD FREE OF 53649-***2

2.メッキ仕様
PLATING
ターミナル TERMINAL
接点部 : 金メッキ 0.25μmMIN.
CONTACT AREA: GOLD 0.25μmMIN.
半田付け部 : 錫メッキ 1.0μmMIN.
SOLDER TAIL AREA: TIN 1.0μmMIN.
下地メッキ : ニッケルメッキ 1.5μmMIN.
UNDER-PLATING: NICKEL 1.5μmMIN.
フィッティングネール FITTING NAIL
錫メッキ 1.0μmMIN.
TIN 1.0μmMIN.
下地メッキ : ニッケルメッキ 1.0μmMIN.
UNDER-PLATING: NICKEL 1.0μmMIN.

無し WITHOUT	47.42	46.32	43.815	51.32	-	53649-1474	140
	34.72	33.62	31.115	38.62	53649-1074	-	100
	28.37	27.27	24.765	32.27	53649-0874	-	80
有り WITH	22.02	20.92	18.415	25.92	53649-0674	-	60
	15.67	14.57	12.065	19.57	53649-0474	-	40
	12.5	11.4	8.89	16.4	53649-0374	-	30
ハウジングロック HSG LOCK	D	C	B	A	エンボス梱包 EMBOSSED PACKAGE	スティック梱包 STICK PACKAGE	極数 CKT
						オーダー番号 ORDER NO.	

GENERAL TOLERANCES (UNLESS SPECIFIED)		THIS DRAWING CONTAINS INFORMATION THAT IS PROPRIETARY TO MOLEX ELECTRONIC TECHNOLOGIES, LLC AND SHOULD NOT BE USED WITHOUT WRITTEN PERMISSION	
10 UNDER	± 0.2	DIMENSION UNITS	SCALE
10 OVER 30 UNDER	± 0.25	mm	-
30 OVER	± 0.3	CURRENT REV DESC:	
ANGULAR ± 3 °		GENERAL TOLERANCES (UNLESS SPECIFIED)	
DRAFT WHERE APPLICABLE MUST REMAIN WITHIN DIMENSIONS		ANGULAR TOL ± 30 °	EC NO: 603307
		4 PLACES ± 0.2	DRWN: RMIYAMOTO 2018/08/21
		3 PLACES ± 0.25	CHK'D: KSASAKI 2018/08/24
		2 PLACES ± 0.3	APPR: RTAKEUCHI 2018/08/24
		1 PLACE ±	INITIAL REVISION:
		0 PLACES ±	DRWN: MNABEI 2004/03/04
		DRAFT WHERE APPLICABLE MUST REMAIN WITHIN DIMENSIONS	APPR: MSASAO 2004/03/08
		THIRD ANGLE PROJECTION	SERIES
		DRAWING	53649
		B-SIZE	MATERIAL NUMBER
		SEE CHART	CUSTOMER
		GENERAL MARKET	SHEET NUMBER
		1 OF 2	



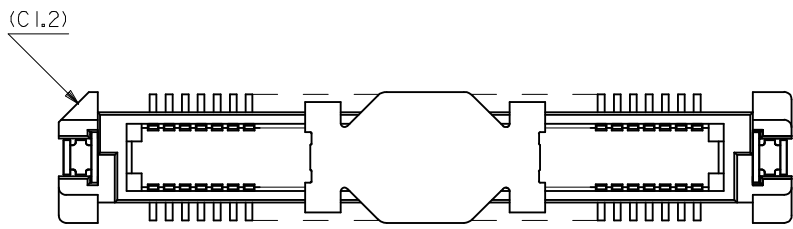
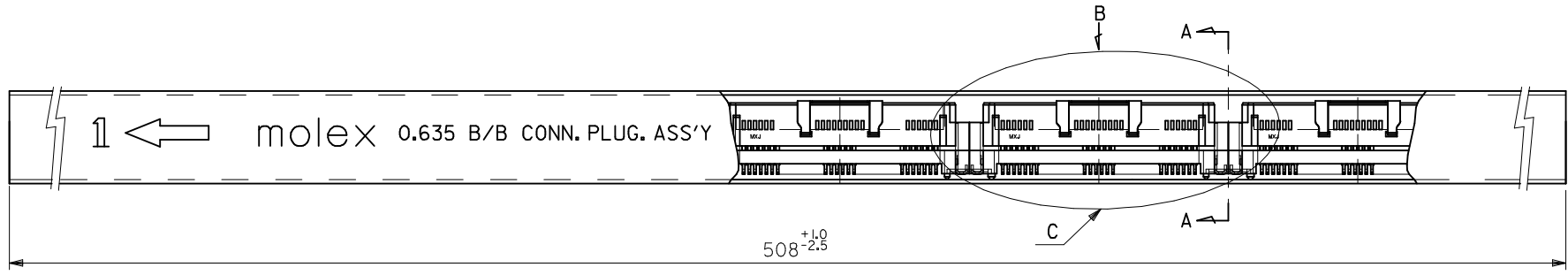
55091 series
53625 series
53647 series
53649 series
53627 series
Plug

52885 series
52901 series
Receptacle

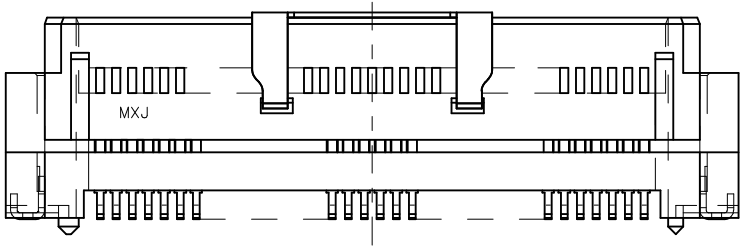
嵌合高さ一覧 Stacking Height variation			
	6	52885 series	55091 series
	7		53625 series
	8		53647 series
○	9		53649 series
	10		53627 series
	12	52901 series	55091 series
	13		53625 series
	14		53647 series
○	15		53649 series
	16		53627 series
本図製品該当高さ Height Application	嵌合高さ E Stacking Height	リセプタクル Receptacle	プラグ Plug

GENERAL TOLERANCES (UNLESS SPECIFIED)		THIS DRAWING CONTAINS INFORMATION THAT IS PROPRIETARY TO MOLEX ELECTRONIC TECHNOLOGIES, LLC AND SHOULD NOT BE USED WITHOUT WRITTEN PERMISSION		
DIMENSION UNITS	SCALE	CURRENT REV DESC:		
mm	-	molex 0.635 B/B CONN. PLUG HS'G COVER ASS'Y -LEAD FREE- PRODUCT CUSTOMER DRAWING		
10 UNDER	± 0.2			EC NO: 603307
10 OVER 30 UNDER	± 0.25			DRWN: RMIYAMOTO 2018/08/21
30 OVER	± 0.3			CHK'D: KSASAKI 2018/08/24
ANGULAR ± 3 °				APPR: RTAKEUCHI 2018/08/24
DRAFT WHERE APPLICABLE MUST REMAIN WITHIN DIMENSIONS		INITIAL REVISION:		
		DRWN: MNABEI 2004/03/04	DRWING	
		APPR: MSASAO 2004/03/08	SERIES	
		THIRD ANGLE PROJECTION	MATERIAL NUMBER	
		A3-SIZE	CUSTOMER	
		53649	SEE CHART	
			GENERAL MARKET	
			SHEET NUMBER	
			2 OF 2	

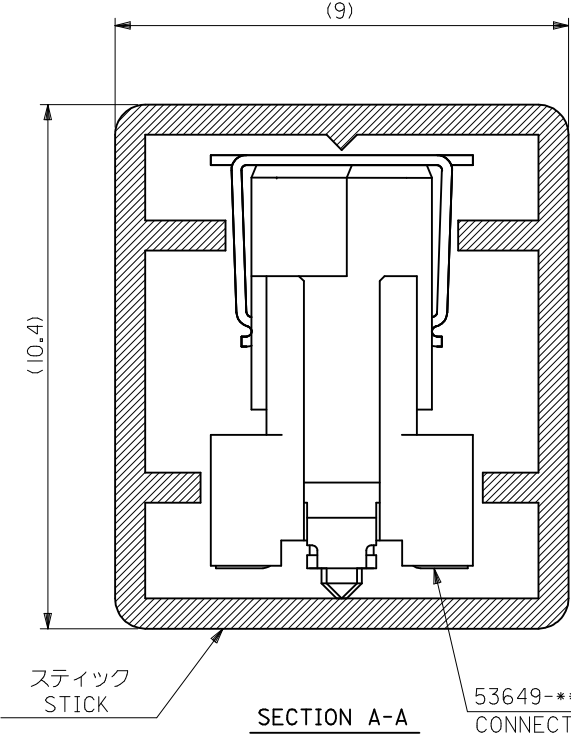
10 9 8 7 6 5 4 3 2 1



VIEW B



DETAIL C



SECTION A-A

- NOTES.
- スティック両端はキャップ止め。
BOTH ENDS WITH CAPS.
 - 量産対応済の極数のについては、SD-53649-004を参照下さい。
SEE SD-53649-004 FOR AVAILABLE ITEMS.
 - 本製品は53649-***5の鉛フリー一品である。
THIS PRODUCT IS LEAD FREE OF 53649-***5

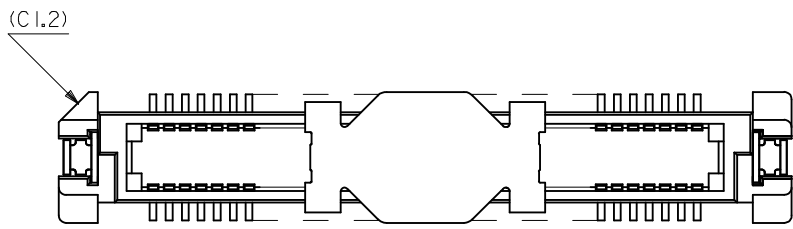
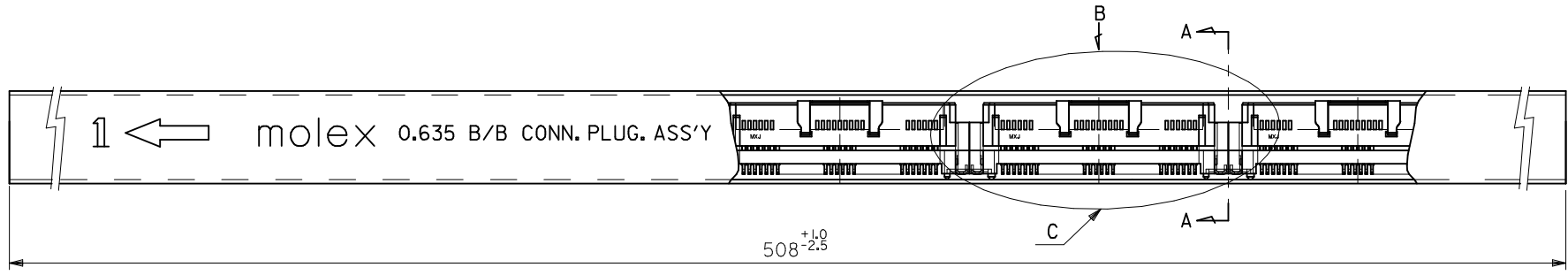
9	53649-1475	140
極包数量 QUANTITY	MATERIAL NO.	極数 CIRCUIT
	MODEL NO.	53649-006

MATERIAL
材料
スティック : ポリ塩化ビニル
STICK : P.V.C.

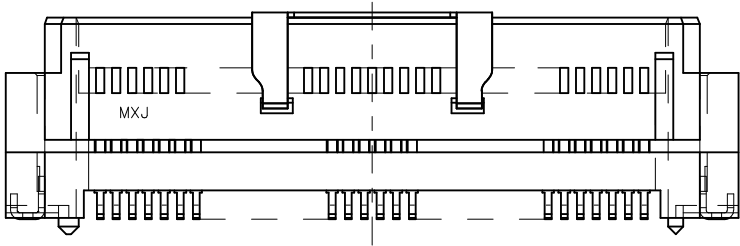
REVISED EC NO: J2017-0317 DRWN:KNO2 2016/12/27 CHKD: APPR:MSASAO 2017/03/15	GENERAL TOLERANCES (UNLESS SPECIFIED)		DIMENSION STYLE MM ONLY		SCALE	DESIGN UNITS METRIC	THIRD ANGLE PROJECTION	
	0.25 UNDER	UNDER	±---	DRAWN BY M. NABEI	DATE '04/2/25	TITLE 0.635 B/B CONN. PLUG HSG ASS'Y STICK PACKAGE -LEAD FREE- molex DOCUMENT NO. SD-53649-006		
	0.25 OVER	0.5 UNDER	±---	CHECKED BY K. TOJO	DATE '04/2/25			
	0.5 OVER	1.0 UNDER	±---	APPROVED BY M. SASAO	DATE '04/2/25			
1.0 OVER	30 UNDER	±---	MATERIAL NO.					
30 OVER		±---	SEE TABLE				SHEET NO. 1 OF 1	
ANGULAR ±---°			DRAFT WHERE APPLICABLE MUST REMAIN WITHIN DIMENSIONS		THIS DRAWING CONTAINS INFORMATION THAT IS PROPRIETARY TO MOLEX ELECTRONIC TECHNOLOGIES, LLC AND SHOULD NOT BE USED WITHOUT WRITTEN PERMISSION			

9 8 7 6 5 4 3 2 1

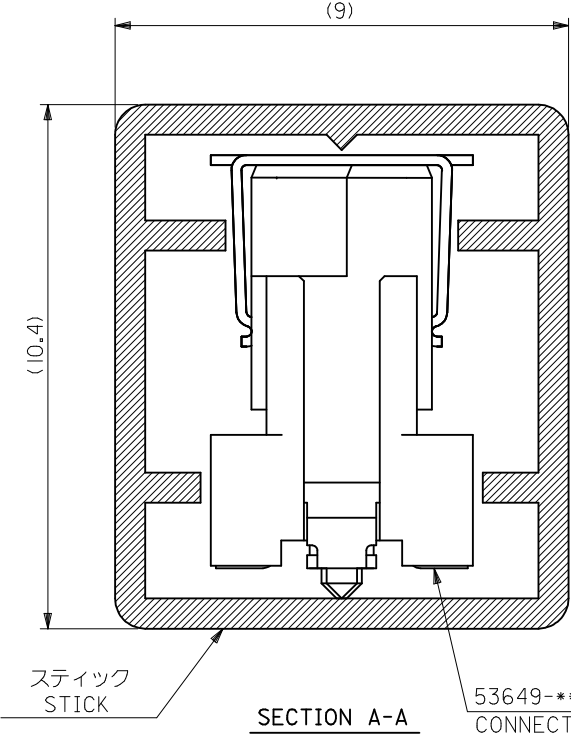
10 9 8 7 6 5 4 3 2 1



VIEW B



DETAIL C



SECTION A-A

- NOTES.
- スティック両端はキャップ止め。
BOTH ENDS WITH CAPS.
 - 量産対応済の極数のについては、SD-53649-004を参照下さい。
SEE SD-53649-004 FOR AVAILABLE ITEMS.
 - 本製品は53649-***5の鉛フリー一品である。
THIS PRODUCT IS LEAD FREE OF 53649-***5

9	53649-1475	140
極包数量 QUANTITY	MATERIAL NO.	極数 CIRCUIT
	MODEL NO.	53649-006

MATERIAL
材料
スティック : ポリ塩化ビニル
STICK : P.V.C.

REVISED EC NO: J2017-0317 DRWN:KNO2 2016/12/27 CHKD: APPR:MSASAO 2017/03/15	GENERAL TOLERANCES (UNLESS SPECIFIED)		DIMENSION STYLE MM ONLY		SCALE	DESIGN UNITS METRIC	THIRD ANGLE PROJECTION	
	0.25 UNDER	UNDER	±---	DRAWN BY M. NABEI	DATE '04/2/25	TITLE 0.635 B/B CONN. PLUG HSG ASS'Y STICK PACKAGE -LEAD FREE- molex DOCUMENT NO. SD-53649-006		
	0.25 OVER	0.5 UNDER	±---	CHECKED BY K. TOJO	DATE '04/2/25			
	0.5 OVER	1.0 UNDER	±---	APPROVED BY M. SASAO	DATE '04/2/25			
1.0 OVER	30 UNDER	±---	MATERIAL NO.					
30 OVER		±---	SEE TABLE		SHEET NO. 1 OF 1			
ANGULAR ±---°			DRAFT WHERE APPLICABLE MUST REMAIN WITHIN DIMENSIONS		THIS DRAWING CONTAINS INFORMATION THAT IS PROPRIETARY TO MOLEX ELECTRONIC TECHNOLOGIES, LLC AND SHOULD NOT BE USED WITHOUT WRITTEN PERMISSION			

9 8 7 6 5 4 3 2 1