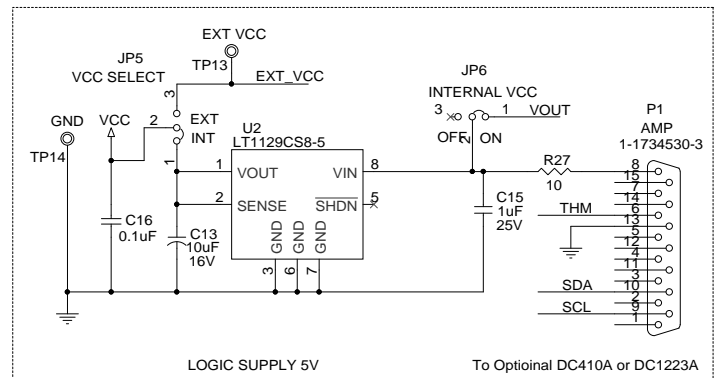
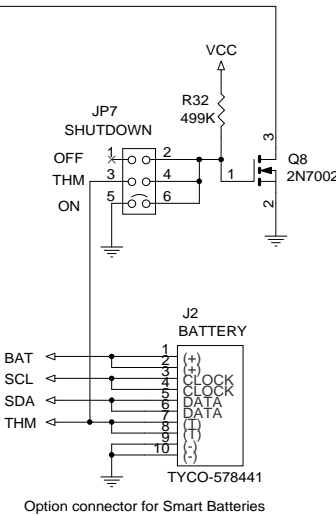
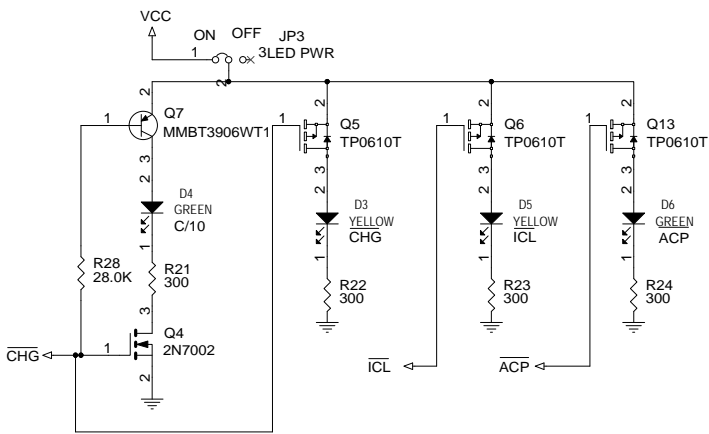


* JP1, JP2 SETUP

LTC4009CUF-1 (OPTION)	LTC4009CUF-2	JP1	JP2	Default
4.1V	4.2V	2-3	2-3	
8.2V	8.4V	2-3	1-2	
12.3V	12.6V	1-2	2-3	12.6V
16.4V	16.8V	1-2	1-2	

Note: Remove all jumpers if LTC4009CUF is used. Use R17 and R19 instead.

** = No stuff. Part are only used for LTC4009CUF. Resistor Tolerance of R17 and R19 is 0.25%.



CUSTOMER NOTICE		CONTRACT NO.		APPROVALS		DATE	
LINEAR TECHNOLOGY HAS MADE A BEST EFFORT TO DESIGN A CIRCUIT THAT MEETS CUSTOMER-SUPPLIED SPECIFICATIONS; HOWEVER, IT REMAINS THE CUSTOMER'S RESPONSIBILITY TO VERIFY PROPER AND RELIABLE OPERATION IN THE ACTUAL APPLICATION. COMPONENT SUBSTITUTION AND PRINTED CIRCUIT BOARD LAYOUT MAY SIGNIFICANTLY AFFECT CIRCUIT PERFORMANCE OR RELIABILITY. CONTACT LINEAR TECHNOLOGY APPLICATIONS ENGINEERING FOR ASSISTANCE.				DRAWN	June Wu	4/3/07	
				CHECKED			
				APPROVED			
				ENGINEER	Mark Gurries	4/3/07	
DESIGNER							
THIS CIRCUIT IS PROPRIETARY TO LINEAR TECHNOLOGY AND SUPPLIED FOR USE WITH LINEAR TECHNOLOGY PARTS.				Tuesday, August 06, 2017		SCALE:	FILENAME:
				TITLE LTC4009CUF-2 Three Cell 12.6V@2A Switching Battery Charger		SIZE:	CAGE CODE:
						DC1104B 1	
						SHEET 1 OF 1	

