

D

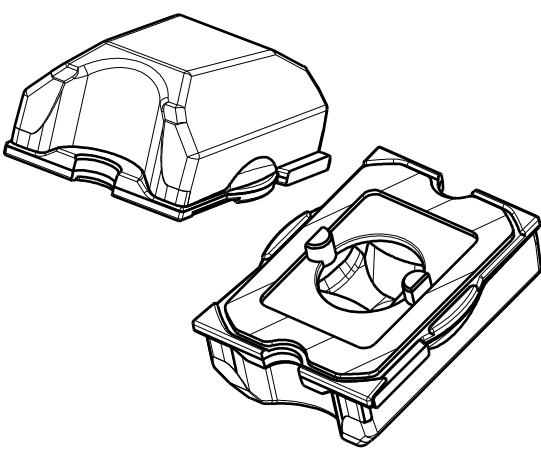
C

B

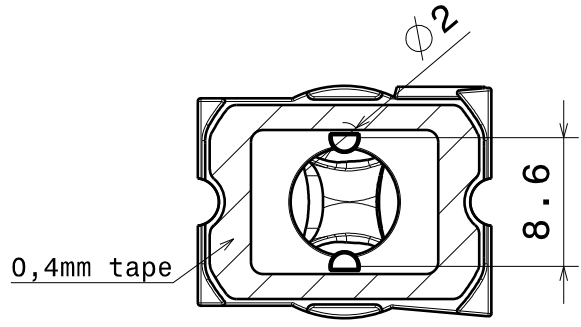
A

4

4



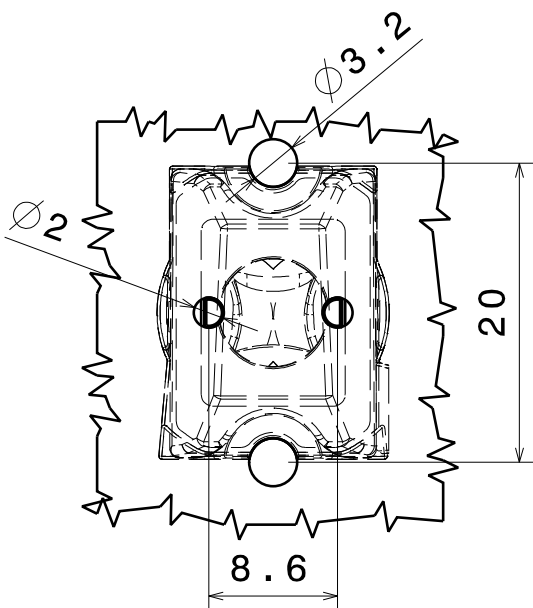
Isometric view



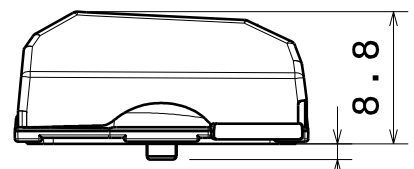
Bottom view

3

3



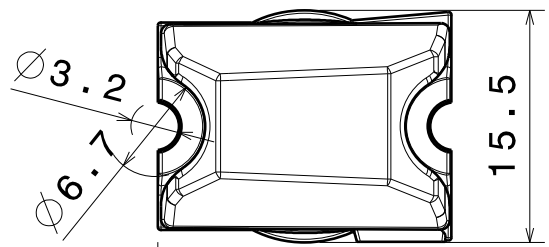
PCB- suggestion



Front view

2

2



Top view

Material: PMMA

Tolerances for dimensions:
 0-20mm tolerance value ± 0.1 mm
 21-45mm tolerance value ± 0.2 mm
 46-90mm tolerance value ± 0.3 mm
 91-100mm tolerance value ± 0.4 mm
 101-mm tolerance value ± 0.5 mm

This drawing is our property.
 It can't be reproduced
 or communicated without
 our written agreement.



Ledil Oy
 Salorankatu 10
 FIN 24240 SALO
 Finland

DRAWING TITLE

Datasheet STRADA-K

DRAWN BY	DATE
mav	18.04.2012

CHECKED BY	DATE
sn	18.04.2012

DESIGNED BY	DATE
mav	06.03.2012

SIZE	DRAWING NUMBER	REV
A4	CA12787	1
SCALE	1:1	WEIGHT (g)
		SHEET 1/1

D

A

1

1