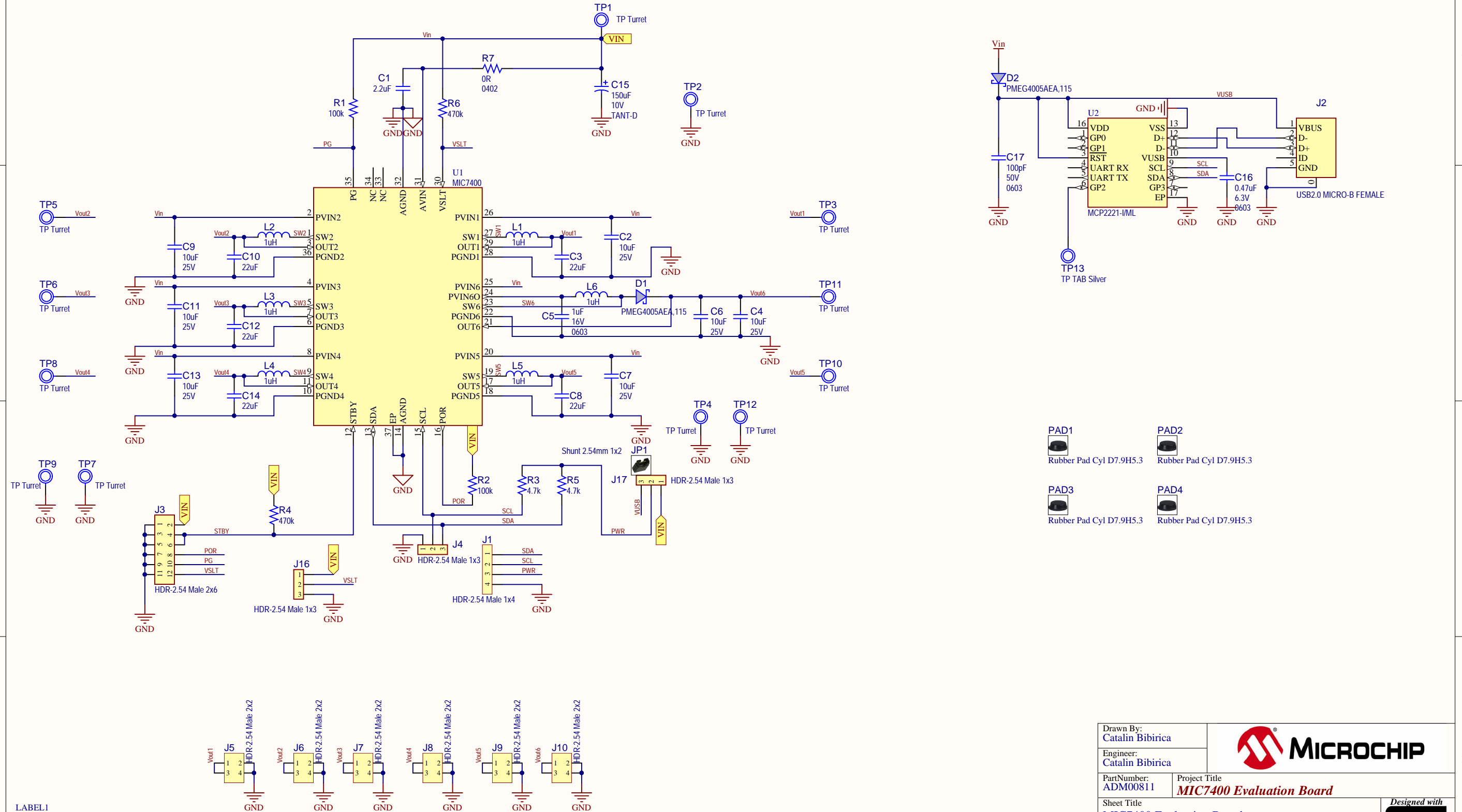


REV	ECO#	DESCRIPTION	DATE



- PAD1 Rubber Pad Cyl D7.9H5.3
- PAD2 Rubber Pad Cyl D7.9H5.3
- PAD3 Rubber Pad Cyl D7.9H5.3
- PAD4 Rubber Pad Cyl D7.9H5.3

LABEL1
02- -R1
JIT
LABEL Need Help Small

Drawn By: Catalin Bibirica		
Engineer: Catalin Bibirica		
PartNumber: ADM00811	Project Title MIC7400 Evaluation Board	
Sheet Title MIC7400 Evaluation Board		
Size B	Sch #03-10622	Date: 8/1/2017 12:58:17 PM
Revision: 1		Sheet 1 of 1
File: MIC7400_EVB.SchDoc		

Designed with
Altium
Altium.com

