

Würth Elektronik eiSos GmbH & Co. KG

EMC & Inductive Solutions

Max-Eyth-Straße 1 · 74638 Waldenburg · Germany

Tel. +49 (0) 79 42 945-0 · Fax +49 (0) 79 42 945-400

eiSos@we-online.de · www.we-online.de



## Product/Process Change Notice (PCN)

- Major change  
 Minor change

PCN #: WCAP-FTX2\_20171220

Product Affected: WCAP-FTX2

PCN Date: September 20th 2017

Effective Date: December 20th 2017

- Product Mark  
 Date Code  
 Packaging  
 Others

Contact: Product Management

Phone: +49 (0) 7942 - 945 5001

Fax: +49 (0) 7942 - 945 5179

E-mail: pcn.eisos@we-online.de

Attachment:  Yes  No

Samples:

### DESCRIPTION AND PURPOSE OF CHANGE:

Due to packaging optimization the packaging of the match code WCAP-FTX2 CS-Version will be changed. Products after applied change with effective date of December, 20th 2017 can be shipped in the new packaging method. There will be no change in form, fit, function, quality or reliability of the product.

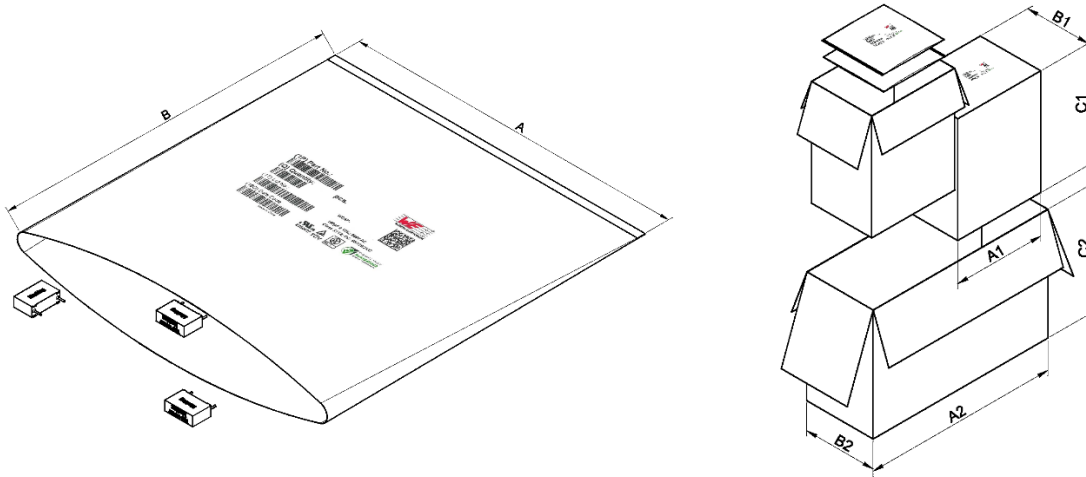
### DETAIL OF CHANGE:

Due to packaging change from bulk to box packaging the packaging quantities are changed. Please find the affected part numbers and additional information in the attachment.

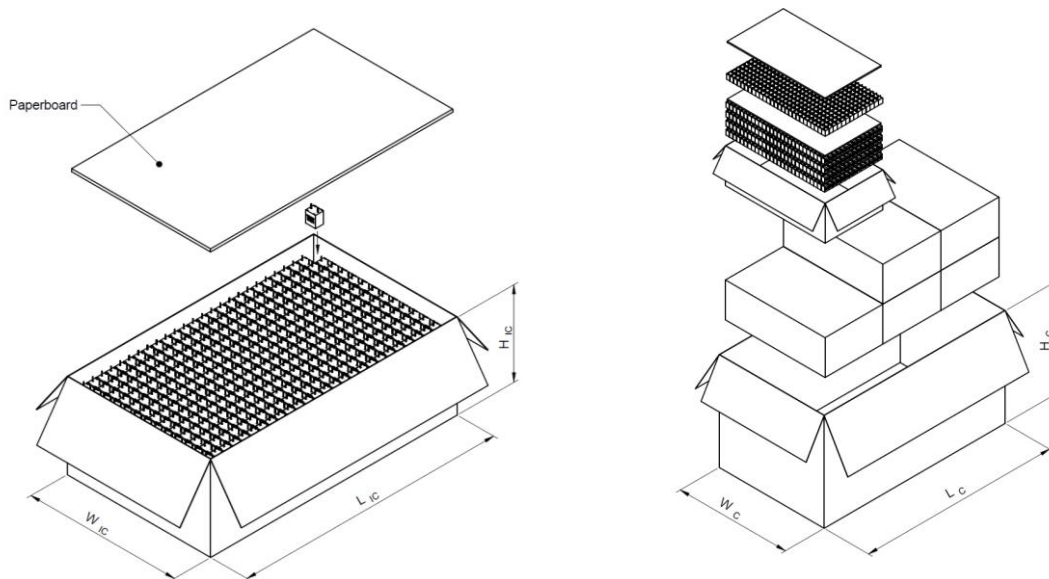
Würth Elektronik eiSos GmbH & Co. KG  
 EMC & Inductive Solutions  
 Max-Eyth-Straße 1 · 74638 Waldenburg · Germany  
 Tel. +49 (0) 79 42 945-0 · Fax +49 (0) 79 42 945-400  
 eiSos@we-online.de · www.we-online.de



Old packaging (Bulk Bag):



New Packaging (Carton):



**RELIABILITY / QUALIFICATION SUMMARY:**

Product approval is according to the specification and is internally released by the Product Management Department.

**DATA SHEET CHANGE:**

Yes

No

Würth Elektronik eiSos GmbH & Co. KG  
 EMC & Inductive Solutions  
 Max-Eyth-Straße 1 · 74638 Waldenburg · Germany  
 Tel. +49 7942 945-0 · Fax +49 7942 945-5000  
 eiSos@we-online.com · www.we-online.com



## Attachment of PCN: WCAP-FTX2\_20171220

As written in the PCN the following part numbers are affected by change:

Part number	Old Packaging Quantity (VPE)	New Packaging Quantity (VPE)
890324022001CS	500	3080
890324022002CS	500	5280
890324022003CS	500	5280
890324022004CS	500	4320
890324022005CS	500	5280
890324022006CS	500	1680
890324022007CS	500	3080
890324022008CS	500	1680
890324022009CS	500	1680
890324022010CS	500	5280
890324022011CS	500	1680
890324022012CS	500	4000
890324022013CS	500	1680
890324022014CS	500	1680
890324022015CS	500	4000
890324022016CS	500	4000
890324022017CS	500	3375
890324022018CS	500	3280
890324022019CS	500	2240
890324023001CS	500	3960
890324023002CS	500	3300
890324023003CS	500	3300
890324023004CS	500	3300
890324023005CS	500	3960
890324023006CS	500	3300
890324023007CS	500	3300
890324023008CS	500	3540
890324023009CS	500	3300
890324023010CS	500	3300
890324023011CS	500	3540
890324023012CS	500	2700

Würth Elektronik eiSos GmbH & Co. KG Sitz Waldenburg, Registergericht Stuttgart HRA 580801

Komplementär Würth Elektronik eiSos Verwaltungs-GmbH, Sitz Waldenburg, Registergericht Stuttgart HRB 581033 · Geschäftsführer Oliver Konz, Thomas Schrott, Alexander Gerfer

Bankverbindungen UniCredit Bank AG Stuttgart, Konto 322 620 136, BLZ 600 202 90, IBAN DE86 6002 0290 0322 6201 36, SWIFT/BIC HYVEDMM473

USt.-IdNr. DE220618976

Würth Elektronik eiSos GmbH & Co. KG  
 EMC & Inductive Solutions  
 Max-Eyth-Straße 1 · 74638 Waldenburg · Germany  
 Tel. +49 7942 945-0 · Fax +49 7942 945-5000  
 eiSos@we-online.com · www.we-online.com



Part number	Old Packaging Quantity (VPE)	New Packaging Quantity (VPE)
890324023013CS	500	3540
890324023014CS	500	3300
890324023015CS	500	3540
890324023016CS	500	1824
890324023017CS	500	3300
890324023018CS	500	3000
890324023019CS	500	1824
890324023020CS	500	2700
890324023021CS	500	1824
890324023022CS	500	3000
890324023023CS	500	1824
890324023024CS	500	1824
890324023025CS	500	2280
890324023026CS	500	1584
890324023027CS	500	1968
890324023028CS	500	1584
890324023029CS	500	1188
890324023030CS	500	936
890324024001CS	500	2250
890324024002CS	500	1900
890324024003CS	500	1280
890324024004CS	500	1200
890324024005CS	500	1040
890324024006CS	500	960
890324025001CS	500	3024
890324025002CS	500	3024
890324025003CS	500	2520
890324025004CS	500	2240
890324025005CS	500	2520
890324025006CS	500	2240
890324025007CS	500	2240
890324025008CS	500	3024
890324025009CS	500	2240
890324025010CS	500	3024

Würth Elektronik eiSos GmbH & Co. KG Sitz Waldenburg, Registergericht Stuttgart HRA 580801

Komplementär Würth Elektronik eiSos Verwaltungs-GmbH, Sitz Waldenburg, Registergericht Stuttgart HRB 581033 · Geschäftsführer Oliver Konz, Thomas Schrott, Alexander Gerfer

Bankverbindungen UniCredit Bank AG Stuttgart, Konto 322 620 136, BLZ 600 202 90, IBAN DE86 6002 0290 0322 6201 36, SWIFT/BIC HYVEDMM473

USt.-IdNr. DE220618976

Würth Elektronik eiSos GmbH & Co. KG  
 EMC & Inductive Solutions  
 Max-Eyth-Straße 1 · 74638 Waldenburg · Germany  
 Tel. +49 7942 945-0 · Fax +49 7942 945-5000  
 eiSos@we-online.com · www.we-online.com



Part number	Old Packaging Quantity (VPE)	New Packaging Quantity (VPE)
890324025011CS	500	2240
890324025012CS	500	2520
890324025013CS	500	1800
890324025014CS	500	2040
890324025015CS	500	1800
890324025016CS	500	2240
890324025017CS	500	1800
890324025018CS	500	1248
890324025019CS	500	2240
890324025020CS	500	1152
890324025021CS	500	2240
890324025022CS	500	1800
890324025023CS	500	1152
890324025024CS	500	1056
890324025025CS	500	1800
890324025026CS	500	992
890324025027CS	500	1800
890324025028CS	500	1216
890324025029CS	500	992
890324025030CS	500	648
890324025031CS	500	1120
890324025032CS	500	992
890324025033CS	500	1312
890324025034CS	500	992
890324025035CS	500	1024
890324025036CS	500	624
890324025037CS	500	1152
890324025038CS	500	1024
890324025039CS	500	1056
890324025040CS	500	1200
890324025041CS	500	832
890324025042CS	500	720
890324025043CS	500	960
890324025044CS	500	624

Würth Elektronik eiSos GmbH & Co. KG Sitz Waldenburg, Registergericht Stuttgart HRA 580801

Komplementär Würth Elektronik eiSos Verwaltungs-GmbH, Sitz Waldenburg, Registergericht Stuttgart HRB 581033 · Geschäftsführer Oliver Konz, Thomas Schrott, Alexander Gerfer

Bankverbindungen UniCredit Bank AG Stuttgart, Konto 322 620 136, BLZ 600 202 90, IBAN DE86 6002 0290 0322 6201 36, SWIFT/BIC HYVEDMM473

USt.-IdNr. DE220618976

Würth Elektronik eiSos GmbH & Co. KG  
 EMC & Inductive Solutions  
 Max-Eyth-Straße 1 · 74638 Waldenburg · Germany  
 Tel. +49 7942 945-0 · Fax +49 7942 945-5000  
 eiSos@we-online.com · www.we-online.com



Part number	Old Packaging Quantity (VPE)	New Packaging Quantity (VPE)
890324025045CS	500	832
890324025046CS	500	576
890324025047CS	500	624
890324025048CS	500	552
890324025049CS	500	600
890324026001CS	200	1590
890324026002CS	200	1590
890324026003CS	200	1056
890324026004CS	200	828
890324026005CS	200	912
890324026006CS	200	744
890324026007CS	200	1320
890324026008CS	200	912
890324026009CS	200	912
890324026010CS	200	648
890324026011CS	200	744
890324026012CS	200	1320
890324026013CS	200	468
890324026014CS	200	912
890324026015CS	200	744
890324026016CS	200	468
890324026017CS	200	912
890324026018CS	200	840
890324026019CS	200	672
890324026020CS	200	840
890324026021CS	200	792
890324026022CS	200	468
890324026023CS	200	792
890324026024CS	200	522
890324026025CS	200	432
890324026026CS	200	720
890324026027CS	200	432
890324026028CS	200	396
890324026029CS	200	540

Würth Elektronik eiSos GmbH & Co. KG Sitz Waldenburg, Registergericht Stuttgart HRA 580801

Komplementär Würth Elektronik eiSos Verwaltungs-GmbH, Sitz Waldenburg, Registergericht Stuttgart HRB 581033 · Geschäftsführer Oliver Konz, Thomas Schrott, Alexander Gerfer

Bankverbindungen UniCredit Bank AG Stuttgart, Konto 322 620 136, BLZ 600 202 90, IBAN DE86 6002 0290 0322 6201 36, SWIFT/BIC HYVEDMM473

USt.-IdNr. DE220618976

Würth Elektronik eiSos GmbH & Co. KG  
 EMC & Inductive Solutions  
 Max-Eyth-Straße 1 · 74638 Waldenburg · Germany  
 Tel. +49 7942 945-0 · Fax +49 7942 945-5000  
 eiSos@we-online.com · www.we-online.com



Part number	Old Packaging Quantity (VPE)	New Packaging Quantity (VPE)
890324026030CS	200	468
890324026031CS	200	396
890324026032CS	200	378
890324026033CS	200	360
890324026034CS	200	306
890324027001CS	100	900
890324027002CS	100	450
890324027003CS	100	820
890324027004CS	100	360
890324027005CS	100	820
890324027006CS	100	375
890324027007CS	100	660
890324027008CS	100	300
890324027009CS	100	660
890324027010CS	100	300
890324027011CS	100	660
890324027012CS	100	315
890324027013CS	100	270
890324027014CS	100	600
890324027015CS	100	270
890324027016CS	100	270
890324027017CS	100	150
890324027018CS	100	285
890324027019CS	100	240
890324027020CS	100	160
890324027021CS	100	315
890324027022CS	100	240
890324027023CS	100	140
890324027024CS	100	140
890324027025CS	100	170
890324027026CS	100	225
890324027027CS	100	130
890324027028CS	100	140
890324027029CS	100	130

Würth Elektronik eiSos GmbH & Co. KG Sitz Waldenburg, Registergericht Stuttgart HRA 580801

Komplementär Würth Elektronik eiSos Verwaltungs-GmbH, Sitz Waldenburg, Registergericht Stuttgart HRB 581033 · Geschäftsführer Oliver Konz, Thomas Schrott, Alexander Gerfer

Bankverbindungen UniCredit Bank AG Stuttgart, Konto 322 620 136, BLZ 600 202 90, IBAN DE86 6002 0290 0322 6201 36, SWIFT/BIC HYVEDMM473

USt.-IdNr. DE220618976

**Würth Elektronik eiSos GmbH & Co. KG**  
**EMC & Inductive Solutions**  
 Max-Eyth-Straße 1 · 74638 Waldenburg · Germany  
 Tel. +49 7942 945-0 · Fax +49 7942 945-5000  
 eiSos@we-online.com · www.we-online.com



Part number	Old Packaging Quantity (VPE)	New Packaging Quantity (VPE)
890324027030CS	100	140
890324027031CS	100	120
890324028001CS	50	162
890324028002CS	50	90
890324028003CS	50	144
890324028004CS	50	102
890324028005CS	50	72
890324028006CS	50	84
890324028007CS	50	66
890324028008CS	50	66
890324028009CS	50	60
890324028010CS	50	60
890324028011CS	50	54
890324028012CS	50	54
890324028013CS	50	48

Würth Elektronik eiSos GmbH & Co. KG Sitz Waldenburg, Registergericht Stuttgart HRA 580801

**Komplementär** Würth Elektronik eiSos Verwaltungs-GmbH, Sitz Waldenburg, Registergericht Stuttgart HRB 581033 · **Geschäftsführer** Oliver Konz, Thomas Schrott, Alexander Gerfer

**Bankverbindungen** UniCredit Bank AG Stuttgart, Konto 322 620 136, BLZ 600 202 90, IBAN DE86 6002 0290 0322 6201 36, SWIFT/BIC HYVEDMM473

**USt.-IdNr.** DE220618976