

Data

Connection data

Pole No. 11

Physical data

Width 55 mm / 2.165 inch

Height 18.3 mm / 0.72 inch

Depth 46 mm / 1.811 inch

Material data

Color gray

Fire load 0.382 MJ

Weight 12.7 g

Subject to changes. Please also observe the further product documentation!

Commercial data

Product Group	18 (X-COM-System)
PU (SPU)	25 Stück
Packaging type	box
Country of origin	DE
GTIN	4017332729703
Customs tariff number	39269097900

Optional accessories

Mounting

Mounting accessories



Item no.: 209-173

Fixing screw; for cable clamp; 7 or more poles

www.wago.com/209-173



Item no.: 209-174

Cable clamp; for strain relief; 7 or more poles

www.wago.com/209-174

Marking accessories

Marker



Item no.: 209-501/000-007

WSB marking card; as card; not stretchable; plain; snap-on type; gray

www.wago.com/209-501/000-007



Item no.: 209-501/000-012

WSB marking card; as card; not stretchable; plain; snap-on type; orange

www.wago.com/209-501/000-012



Item no.: 209-501/000-024

WSB marking card; as card; not stretchable; plain; snap-on type; violet

www.wago.com/209-501/000-024



Item no.: 209-501/000-023

WSB marking card; as card; not stretchable; plain; snap-on type; green

www.wago.com/209-501/000-023



Item no.: 209-501/000-017

WSB marking card; as card; not stretchable; plain; snap-on type; light green

www.wago.com/209-501/000-017

Subject to changes. Please also observe the further product documentation!

WAGO Kontakttechnik GmbH & Co. KG

Hansastr. 27

32423 Minden

Phone: +49571 887-0 | Fax: +49571 887-169

Email: info.de@wago.com | Web: www.wago.com

Do you have any questions about our products?

We are always happy to take your call at +49 (571) 887-44222.



Item no.: 209-501
WSB marking card; as card; not stretchable; plain; snap-on type; white

www.wago.com/209-501



Item no.: 209-501/000-006
WSB marking card; as card; not stretchable; plain; snap-on type; blue

www.wago.com/209-501/000-006



Item no.: 209-501/000-005
WSB marking card; as card; not stretchable; plain; snap-on type; red

www.wago.com/209-501/000-005



Item no.: 209-501/000-002
WSB marking card; as card; not stretchable; plain; snap-on type; yellow

www.wago.com/209-501/000-002

Downloads

Documentation

Bid Text

769-1611 X81 - Datei	Feb 19, 2019	xml 2.7 kB	Download
769-1611 doc - Datei	May 23, 2017	doc 23.6 kB	Download

Additional Information

Technical explanations	Apr 3, 2019	pdf 2.2 MB	Download
------------------------	-------------	---------------	----------

CAD/CAE-Data

CAE data

EPLAN Data Portal 769-1611	URL	Download
ZUKEN Portal 769-1611	URL	Download
WSCAD Universe 769-1611	URL	Download

CAD data

2D/3D Models 769-1611	URL	Download
-----------------------	-----	----------

Subject to changes. Please also observe the further product documentation!

WAGO Kontakttechnik GmbH & Co. KG
Hansastr. 27
32423 Minden
Phone: +49571 887-0 | Fax: +49571 887-169
Email: info.de@wago.com | Web: www.wago.com

Do you have any questions about our products?
We are always happy to take your call at +49 (571) 887-44222.

Environmental Product Compliance

Compliance Search

Environmental Product Compliance 769-1611

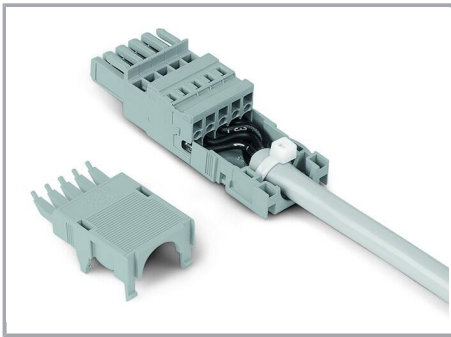
[URL](#)

[Download](#)

Strain relief housing; gray

Installation Notes

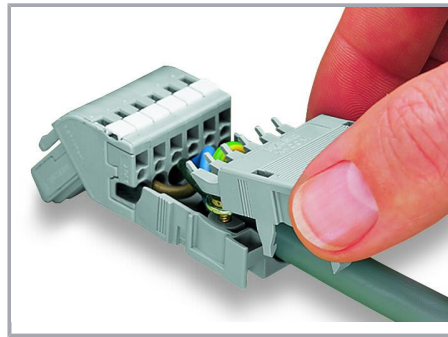
Installation



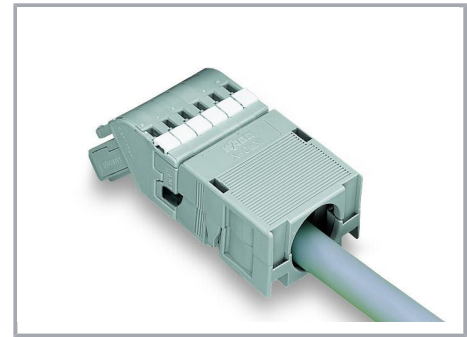
2- to 5-pole strain relief housings feature one cable outlet (rear side).

6- to 9-pole strain relief housings feature two cable outlets and one cover.

10- to 16-pole strain relief housings feature three cable outlets and two covers.



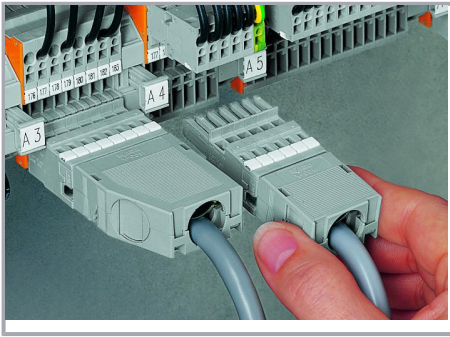
Snapping on a strain relief housing.



Snap-on type strain relief housing, consists of strain relief support and housing, 6-pole and 1-conductor female plugs, angled, 6-pole

Application

Subject to changes. Please also observe the further product documentation!



Application

Snap-on type strain relief housings for 769 Series

Subject to changes. Please also observe the further product documentation!