

**Cornell Dubilier**

Cornell Dubilier Marketing, Inc  
Liberty, South Carolina  
TEL: 864-843-2277 FAX:864-843-3800

Engineering

Catalog Number: 300JJ192U025B

Customer Part Number: None

Datasheet No. 7663

Date: 06/24/04

Capacitance: 1900  $\mu$ F

Tolerance: -10 % +75 %

Working Volts: 25 VDC

Surge Volts: 35 VDC

Leakage Current @ 25°C: 109  $\mu$ A

ESR @ 120Hz @ 25°C: 0.065  $\Omega$  max.

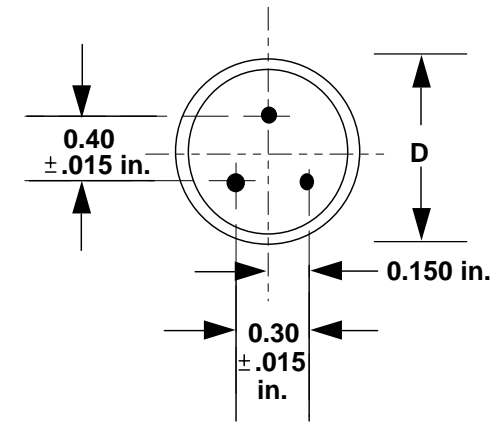
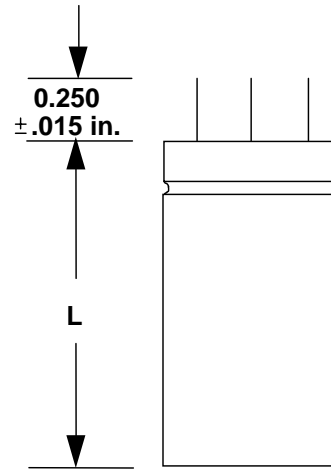
Ripple Current @ 120Hz, 85°C: 3.5 A

Diameter (D): 1.000  $\pm$  0.031 inches

Length (L): 1.625  $\pm$  0.062

Insulation: PVC w/epoxy end fill

Operating Temperature: - 55 °C to +105 °C



“Controlled Copy” if viewed on CD Server or if copy is stamped in Red, Otherwise considered as an “Uncontrolled Copy”