

Active module - UM-D37M/16R-120AC/DI/C3/R C - 2906913

Please be informed that the data shown in this PDF Document is generated from our Online Catalog. Please find the complete data in the user's documentation. Our General Terms of Use for Downloads are valid (<http://phoenixcontact.com/download>)




VARIOFACE 16-channel module enhances the capabilities of Honeywell Experion LX digital input IOTA's, enabling the use of (120 V AC) digital input signals with (24 V DC) Experion LX systems

Your advantages

- UM-PRO housing
- DIN rail mounting, includes grounding foot
- Designed to be mounted in the right side of the cabinet
- Per channel LED (coil) signal indication
- Per channel pluggable N/O relay
- Provides isolation between 120 V field devices and 24 V controller



Key Commercial Data

Packing unit	1 pc
GTIN	 4 055626 163499
GTIN	4055626163499

Technical data

Note

Utilization restriction	EMC: class A product, see manufacturer's declaration in the download area
-------------------------	---

Dimensions

Width	184 mm
Height	142.3 mm
Depth	65.2 mm

Ambient conditions

Ambient temperature (operation)	-40 °C ... 60 °C
Ambient temperature (storage/transport)	-40 °C ... 70 °C

Active module - UM-D37M/16R-120AC/DI/C3/R C - 2906913

Technical data

Input data

Nominal input voltage U_N	120 V AC
Input voltage range in reference to U_N	0.8 ... 1.1
Typical input current at U_N	3 mA
Typical response time	6 ms
Typical release time	15 ms
Type of protection	Free-wheeling diode
Protective circuit/component	Damping diode
Status display/channel	Yellow LED

Output data

Contact type	1 N/O contact (double contact)
Contact material	AgNi, 5 μ m hard gold-plated
Maximum switching voltage	30 V AC 36 V DC
Minimum switching voltage	100 mV
Limiting continuous current	50 mA
Min. switching current	1 mA

General

No. of channels	16
With components	yes
Mechanical service life	2×10^7 cycles
Operating mode	100% operating factor
Color	yellow

Connection data

Connection name	Field level
Connection method	Screw connection
Stripping length	8 mm
Screw thread	M3
Conductor cross section solid	0.2 mm ² ... 4 mm ²
Conductor cross section flexible	0.2 mm ² ... 2.5 mm ²
Conductor cross section AWG	24 ... 12

Connection data 2

Connection name	Controller level
Connection method	D-SUB connector
Number of connections	1
Number of positions	37

Supported controller

Controller	Honeywell Experion LX Series 8
- suitable I/O card	TDILA1

Active module - UM-D37M/16R-120AC/DI/C3/R C - 2906913

Technical data

Supported controller

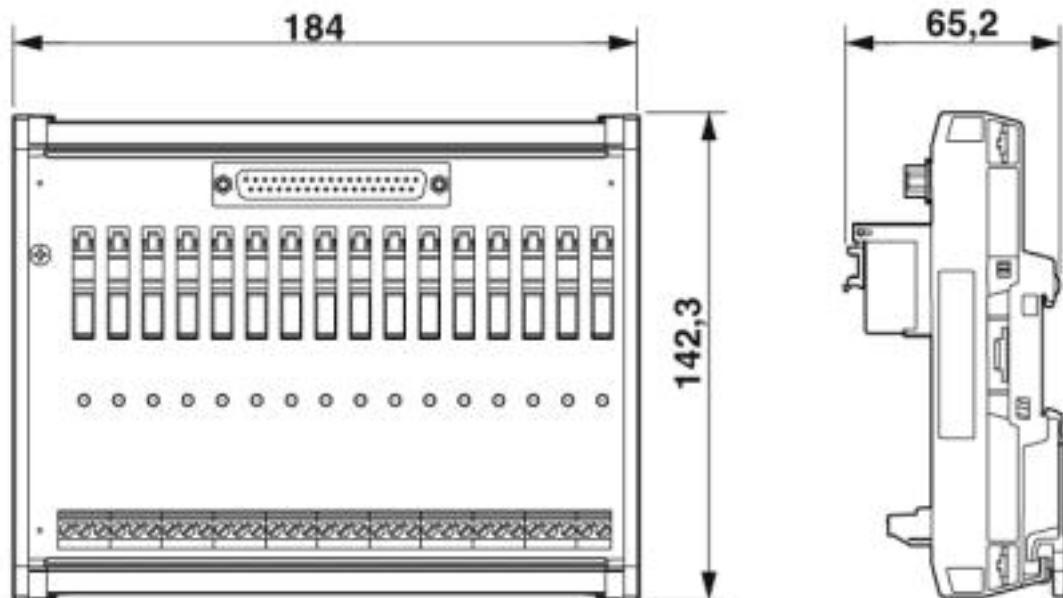
	TDILB1
--	--------

Environmental Product Compliance

China RoHS	Environmentally Friendly Use Period = 50
	For details about hazardous substances go to tab "Downloads", Category "Manufacturer's declaration"

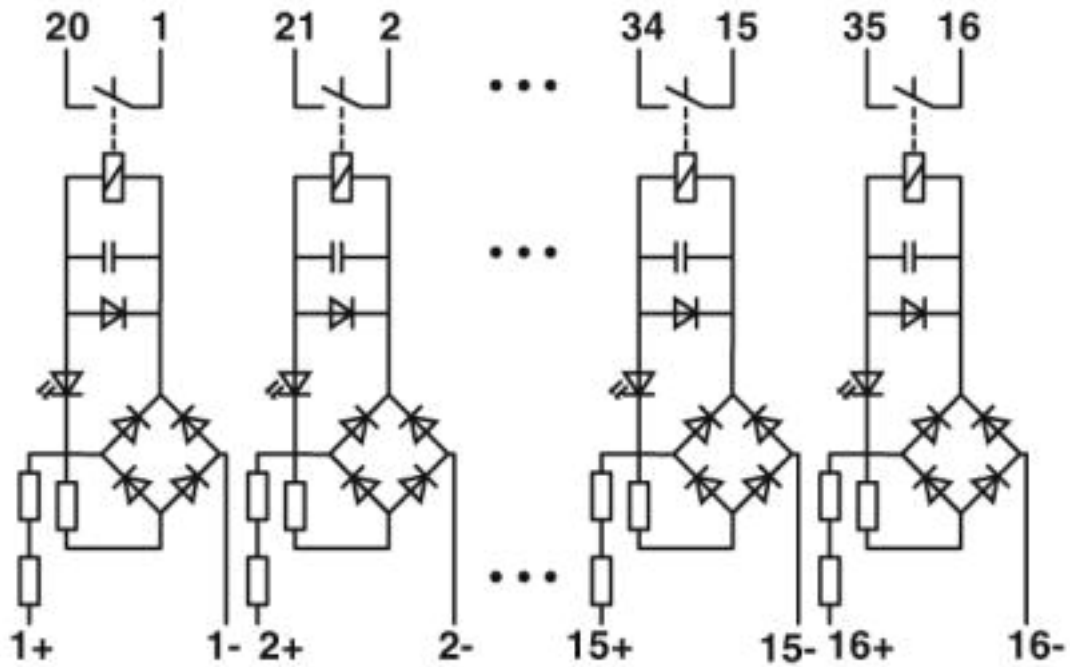
Drawings

Dimensional drawing



Active module - UM-D37M/16R-120AC/DI/C3/R C - 2906913

Circuit diagram



Phoenix Contact 2019 © - all rights reserved
<http://www.phoenixcontact.com>

PHOENIX CONTACT GmbH & Co. KG
Flachsmarktstr. 8
32825 Blomberg
Germany
Tel. +49 5235 300
Fax +49 5235 3 41200
<http://www.phoenixcontact.com>